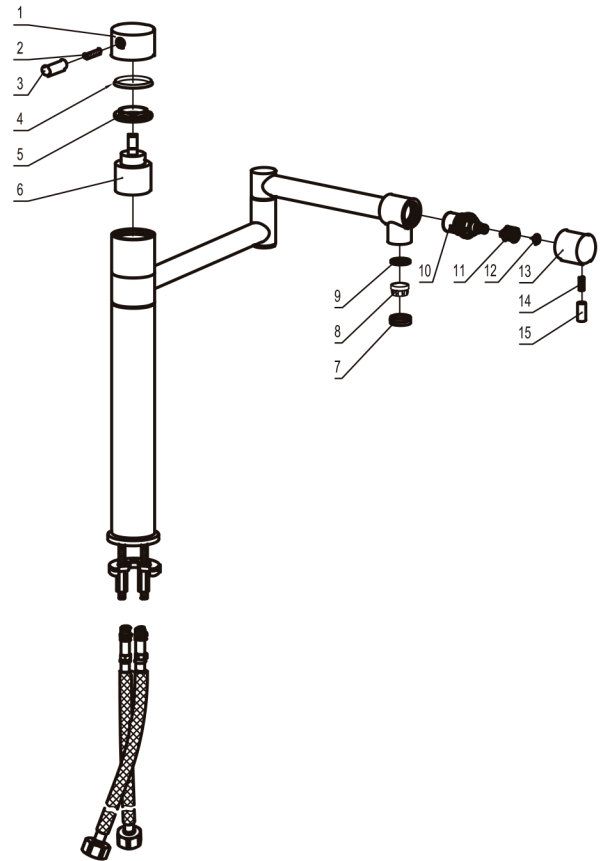




DIAGRAM NUMBER	DAX SKU	TITLE DESCRIPTION
1	FH 639-01A	Handle
2	FH TJ-50525	M5x15 cross recessed screw
3	FH 608-02	Handle body
4	FH 639-02	M4x6 stop screw
5	FH 639-02	Handle core
6	FH 639-02	B09B Head valve
7	FH 8623-04	Φ18.5xΦ12.6X2.8 washer
8	FH TQ-06B	M22 aerator
9	FH 8223-11	Spout inner collar
10	FH TB-09B	Φ35 cartridge
11	FH 623-02A	Locknut
12	FH T-02A	Plastic isolated ring
13	FH 625-01	Handle
14	FH TJ-50515	M5x25 cross recessed screw
15	FH 607-02A	Handle body



For parts or sale requirements please contact our customer service department:

 CS@daxib.com

 1 888 685 8236

