

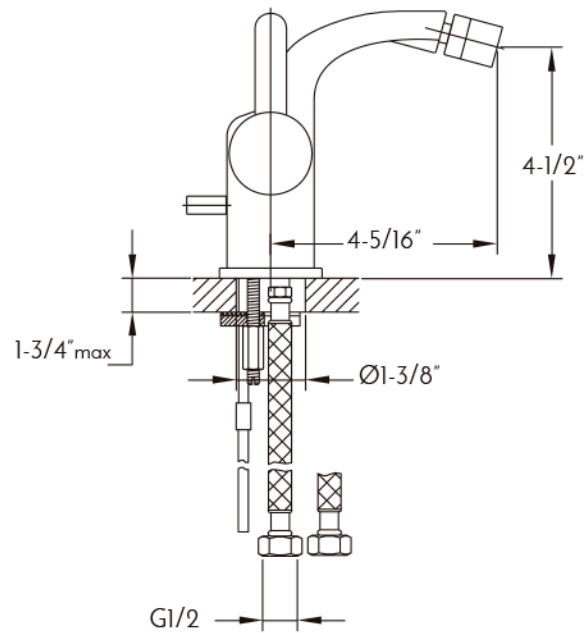


DAX-8560-BL



BIDET FAUCETS SERIES





## FEATURES

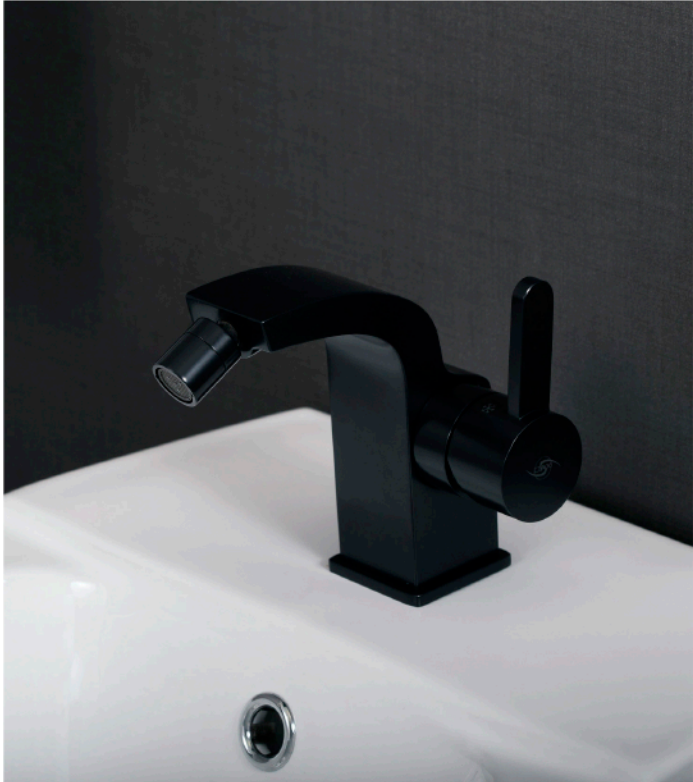
- Single Lever
- Swiveling spout
- Ceramic cartridge
- Brass body
- Installation hole 1-3/8"
- Matte black finish
- Hoses and mounting parts included
- Pop up drain not included (available)





**BIDET FAUCET DAX-8560-BL**

MODEL	DAX-8560-BL
ADA	NO
UPC APPROVED	NO
ANSI APPROVED	NO
ASME APPROVED	NO
WATERSENSE CERTIFIED	NO
NSF APPROVED	NO
CONNECTION SIZE	G3/8
FAUCET HOLE SIZE	1-5/16"
FAUCETS HOLE	NO
FAUCET TYPE	Bidet
FLOW RATE (GPM)	1.2 GPM at 60 PSI
HANDLE STYLE	Single lever
NUMBER OF HANDLES	1
INSTALLATION TYPE	Bidet mounted
MATERIAL	Brass body + zinc handle
FINISH	Matte black
SPOUT SWIVEL	NO
SPOUT TYPE	Cast spout
CARTRIDGE TYPE	Ceramic mixer
POP-IP INCLUDED	NO
MAX DECK THICKNESS	1-3/4"



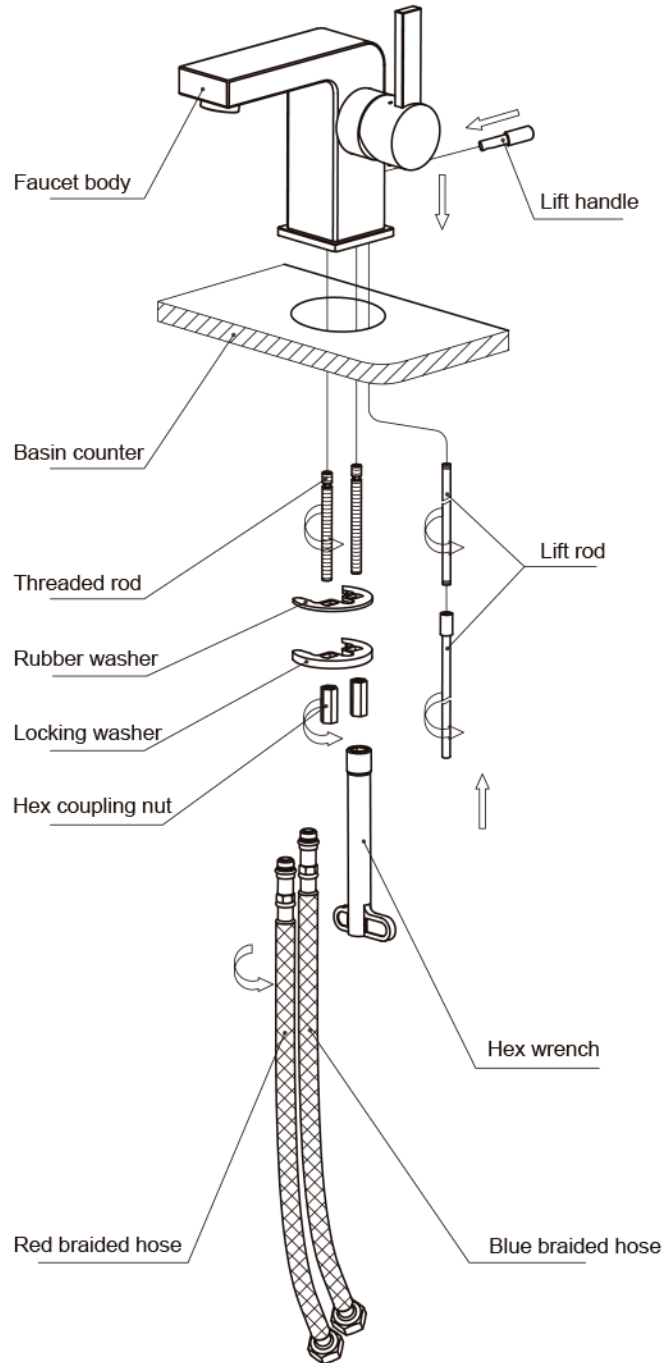
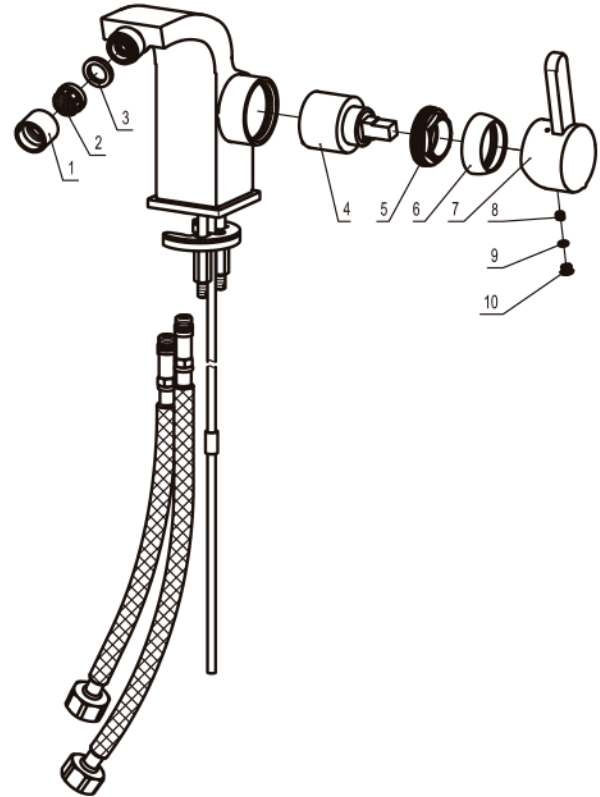




DIAGRAM NUMBER	DAX SKU	TITLE DESCRIPTION
1	FH TQ05-01B	Spout outer collar
2	FH TQ-06B	M22 Aerator
3	FH TQ05-02	Ø3/4"xØ1/2"x1/8" Washer
4		ø35 cartridge
5	FH DB-13	Locknut
6	FH DB-14	Decorative ring
7	FH D56-01H	Handle
8	FH TJ-30504	M5x4 Internal Hex flat end locking screw
9	MF 0615	Ø3x1.5 "O" ring
10	FH D38A-02	Decoration cap



For parts or sale requirements please contact our customer service department:

 [CS@daxib.com](mailto:CS@daxib.com)

 1 888 685 8236