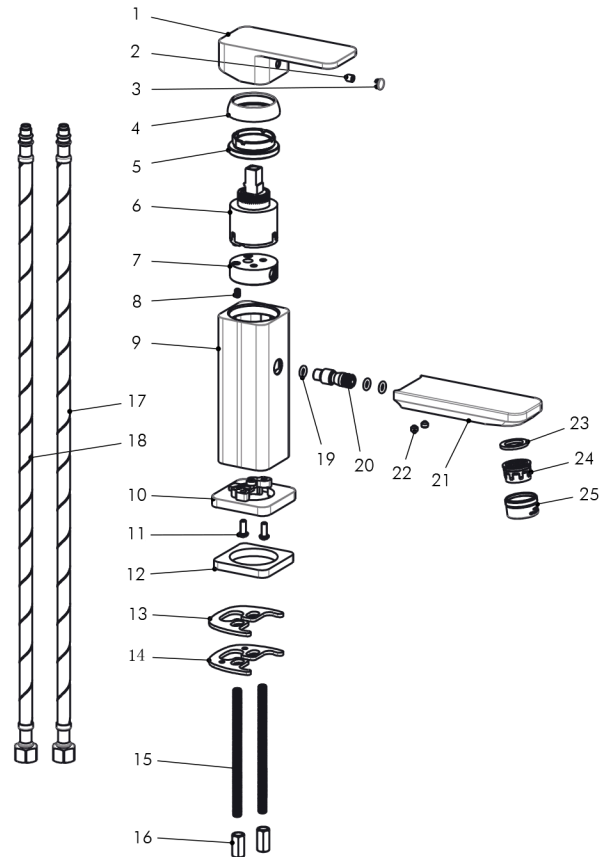




DIAGRAM NUMBER	DAX SKU	TITLE DESCRIPTION
1	623082-CR	Handle
2	642014	Screw
3	624034	Index Button
4	622014-CR	Dome Nut
5	627012	Adjustment Ring
6	626003	Cartridge
7	627035	Cartridge Base
8	642054	Screw
9	613008-CR	Faucet Body
10	640048-CR	Base
11	642141	Screw
12	625111	Gasket
13	640010	Shank
14	644008	Gasket
15	642005	Gasket
16	640011	Lock Nut
17	642021	Screw
18	633017	SS Hose
19	633018	SS Hose
20	642142	Outlet Connection
21	644026	O-ring
22	614017-CR	Spout
23	642078	Screw
24	644010	Washer
25	632004	Aerator Core
26	632012-CR	Aerator Cover



For parts or sale requirements please contact our customer service department:

 [CS@daxib.com](mailto:CS@daxib.com)

 1 888 685 8236

