



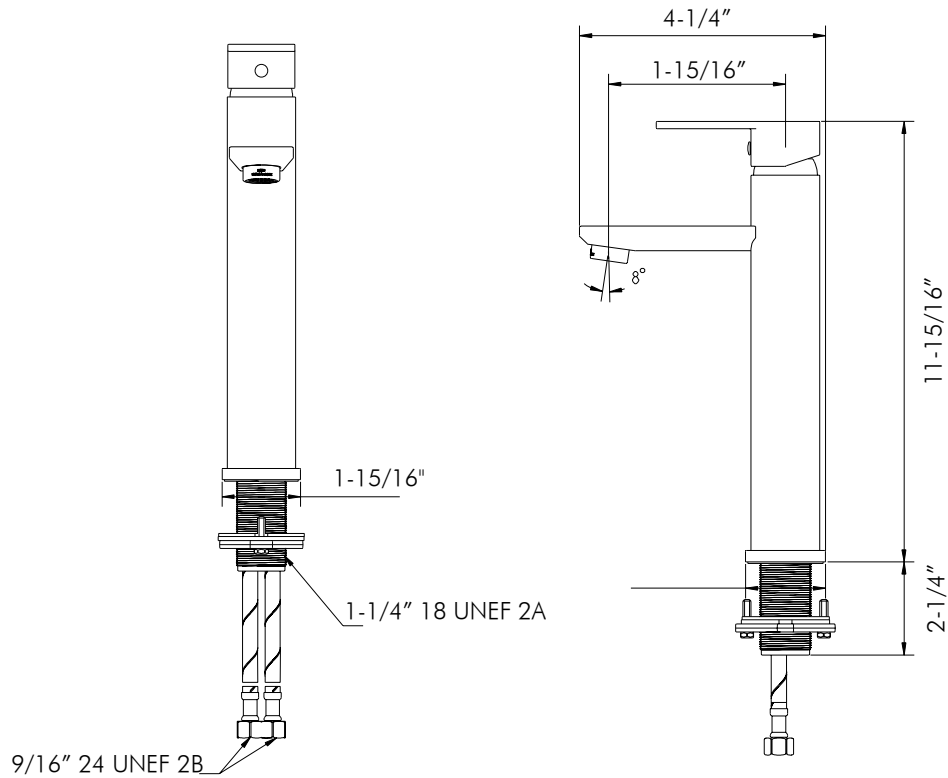
DAX-8510B-BN



BATHROOM FAUCETS SERIES



[www.daxib.com](http://www.daxib.com)



## FEATURES

- Single lever
- Vessel installation
- Ceramic cartridge
- Brass body
- Flow rate 2 GPM
- Installation hole 1-3/8"
- Hoses and mounting parts included
- Pop up drain not included (available)
- Brushed nickel finish







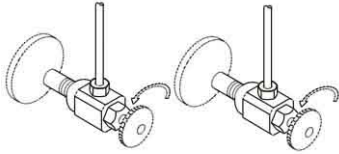
**BATHROOM FAUCET DAX-8510B-BN**

MODEL	DAX-8510B-BN
ADA	YES
UPC APPROVED	YES
ANSI APPROVED	YES
ASME APPROVED	YES
WATERSENSE CERTIFIED	YES
NSF APPROVED	YES
CONNECTION SIZE	G3/8
FAUCET HOLE SIZE	Ø1-5/16"
FAUCETS HOLE	Single hole
FAUCET TYPE	Vessel Faucet
FLOW RATE (GPM)	2
HANDLE STYLE	Square
NUMBER OF HANDLES	1
HEIGHT	11-15/16"
HOSE LENGTH	19-11/16"
INSTALLATION TYPE	Basin faucet
FINISH	Brushed nickel
SIDESPRAY	NO
SPOUT REACH	4-1/4"
SPOUT SWIVEL	NO
CARTRIDGE TYPE	Ceramic
POP-IP INCLUDED	NO
MAX DECK THICKNESS	2-1/8"



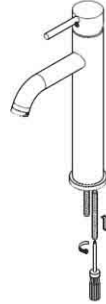


01



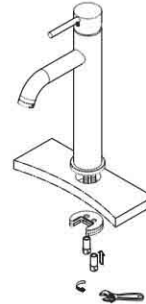
Shut off water supply. Remove old faucet. Clean sink surface in preparation for new faucet.

02



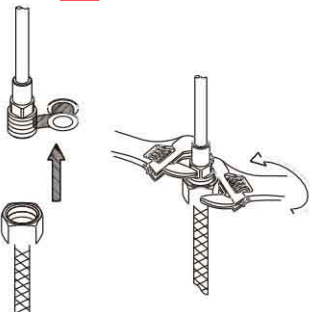
Screw cold/hot copper tube onto faucet body.

03



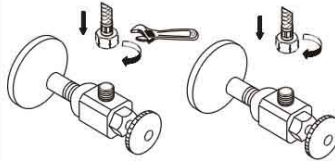
Attach rubber washer and metal washer onto copper tubes. Screw metal threaded rods onto faucet body.

04



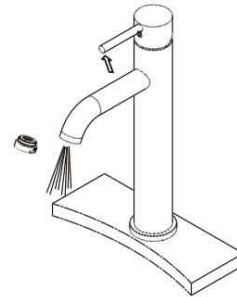
Tighten end of shank with wrench and slip hose onto inlet port.

05

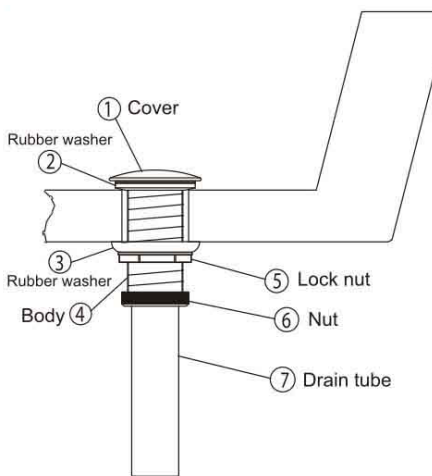


Apply pipe tape onto threads of the copper inlet tube.

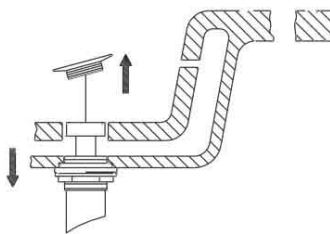
06



After installing faucet, remove aerator and turn on water to remove any left over debris. Re-assemble aerator.

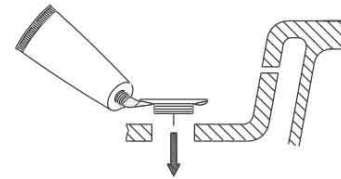


07



Remove old pop-up drain assembly.

08

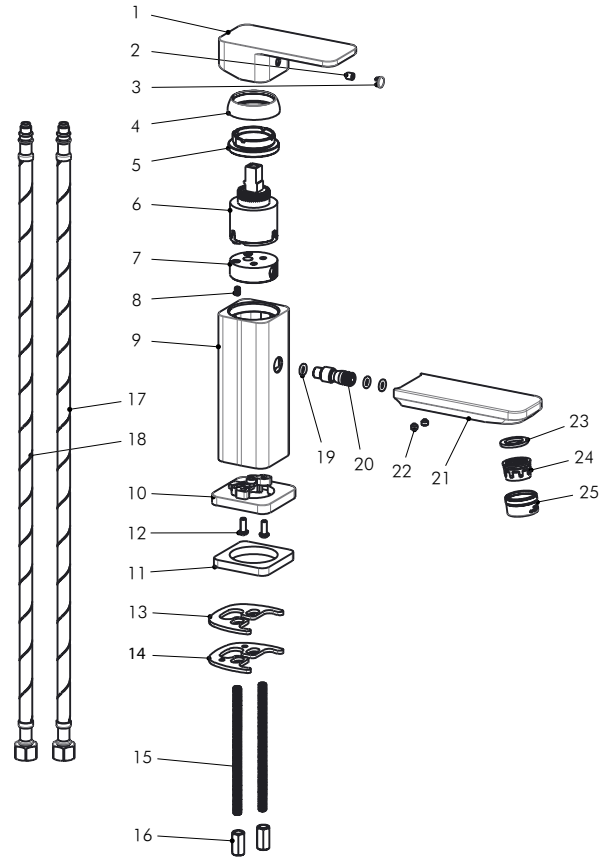


Place a ring of silicone sealant around drain opening of sink.





DIAGRAM NUMBER	DAX SKU	TITLE DESCRIPTION
1	623082	Handle
2	642014	Screw
3	624034	Index Button
4	622014	Dome Nut
5	627012	Adjustment Ring
6	626003	Cartridge
7	627035	Cartridge Base
8	642054	Screw
9	613008	Faucet Body
10	640048	Base
11	642141	Screw
12	625111	Gasket
13	640010	Shank
14	644008	Gasket
15	642005	Gasket
16	640011	Lock Nut
17	642021	Screw
18	633017	SS Hose
19	633018	SS Hose
20	642142	Outlet Connection
21	644026	O-ring
22	614017	Spout
23	642078	Screw
24	644010	Washer
25	632004	Aerator Core
26	632012	Aerator Cover



For parts or sale requirements please contact our customer service department: [CS@daxib.com](mailto:CS@daxib.com)

1 888 685 8236

