



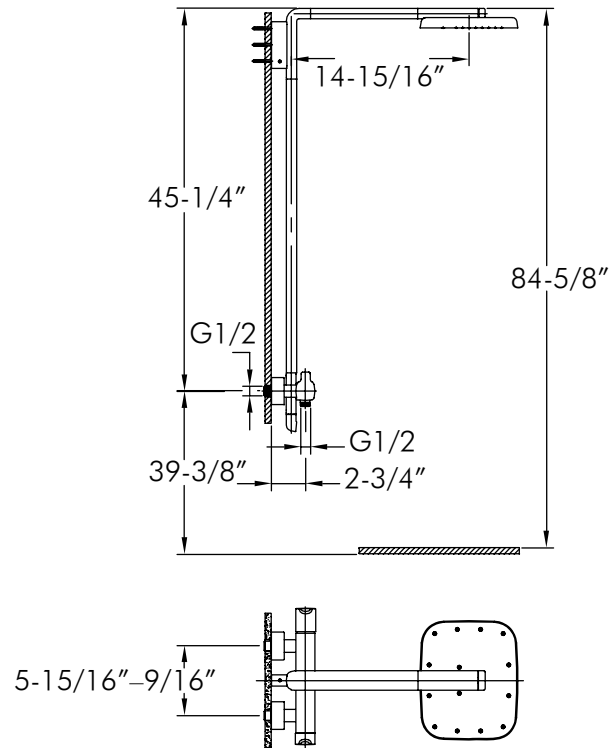
DAX-8459



SHOWER SYSTEMS **SERIES**



www.daxib.com



FEATURES

- Three function valve
- Wall mount system
- Rainshower
- Waterfall
- Handshower included
- Ceramic cartridge
- Flow rate 2.0 GPM
- Thermostatic valve
- Anti-scalding protection
- Brass body
- Chrome finish





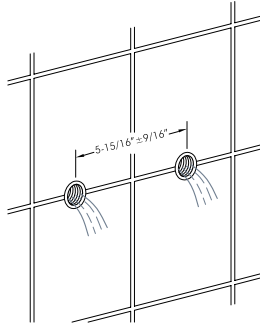
SHOWER SYSTEM DAX-8459

MODEL	DAX-8459
UPC APPROVED	YES
ANSI APPROVED	YES
ASME APPROVED	YES
BODYSPRAYS INCLUDED	NO
NUMBER OF BODYSPRAYS	N/A
BODYSPRAYS CONNECTION SIZE	N/A
HAND SHOWER FLOW RATE (GPM)	2.0 GPM at 80 PSI
SHOWER HEAD FLOW RATE (GPM)	2.0 GPM at 80 PSI
ROUGH-IN VALVE FLOW RATE (GPM)	2.0 GPM at 80 PSI
HANDLE MATERIAL	Brass
HANDLE STYLE	Double
HAND SHOWER INCLUDED	YES
HAND SHOWER HOSE INCLUDED	YES
HAND SHOWER HOSE LENGTH	59-1/16"
INSTALLATION TYPE	Wall mounted
MATERIAL	Brass
PRESSURE BALANCE	NO
SCALD GUARD	38C
SHOWER ARM REACH	14-15/16"
SHOWER HEAD	YES
SHOWER HEAD HEIGHT	84-5/8"
SHOWER HEAD SHAPE	Rectangle
SHOWER HEAD WIDTH	10-1/16"
SHOWER HEAD FUNCTION	DUAL FUNCTION - RAIN AND WATERFALL
SLIDE BAR INCLUDED	NO
SLIDE BAR DIMENSION	N/A
THERMOSTATIC	YES
VALVE INCLUDED	YES
VALVE TYPE	Thermostatic
WATER EFFICIENT	YES
WATERSENSE CERTIFIED	NO
FINISH	Chrome

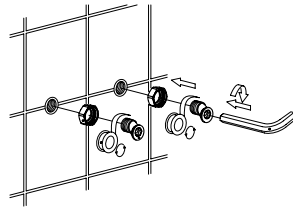




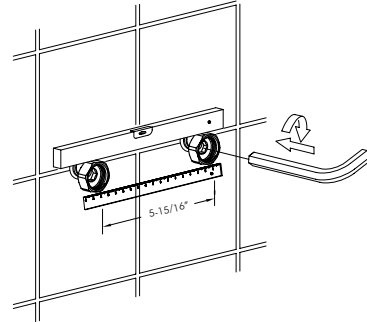
01



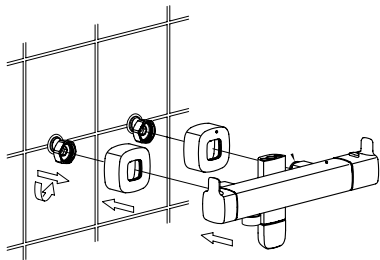
02



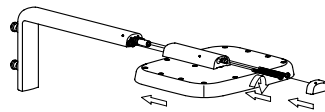
03



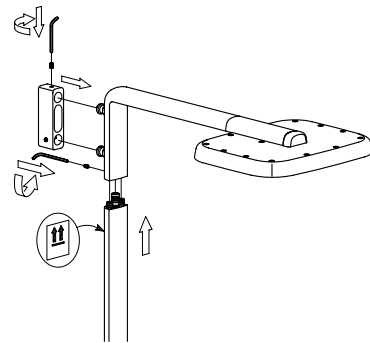
04



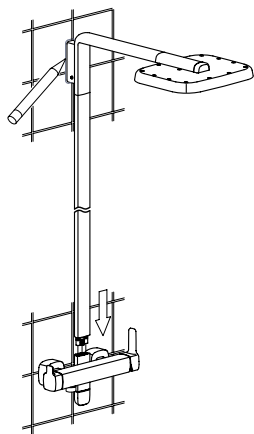
05



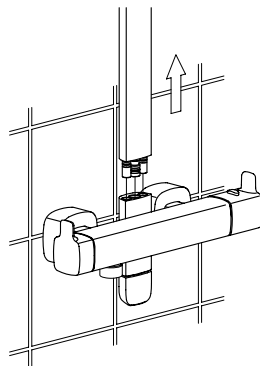
06



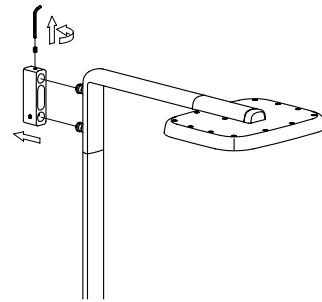
07



08

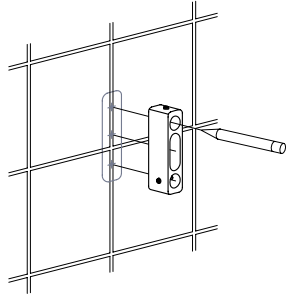


09

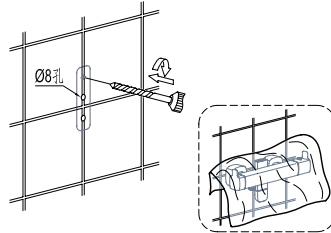




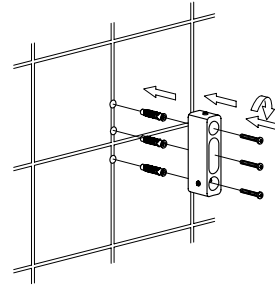
10



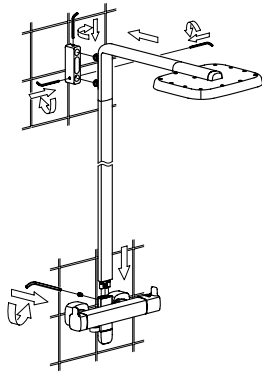
11



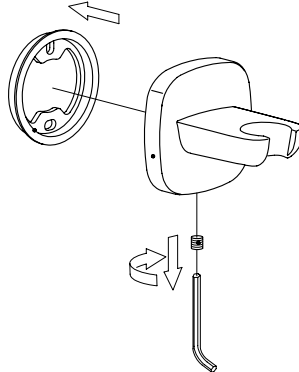
12



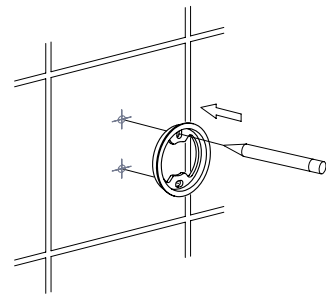
13



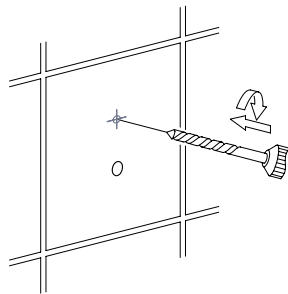
14



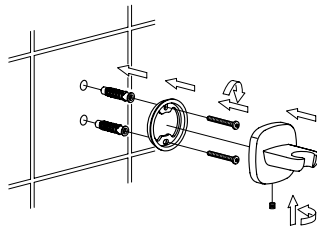
15



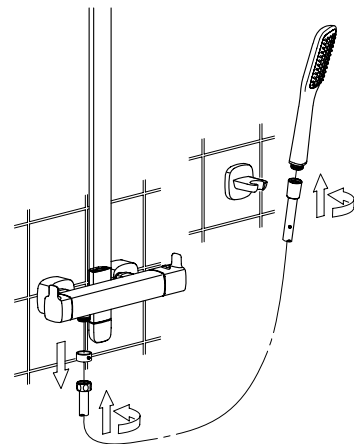
16



17

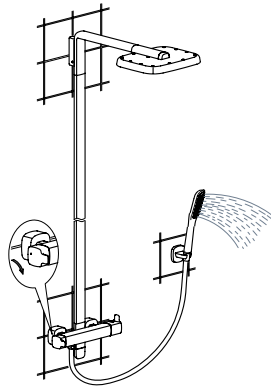


18

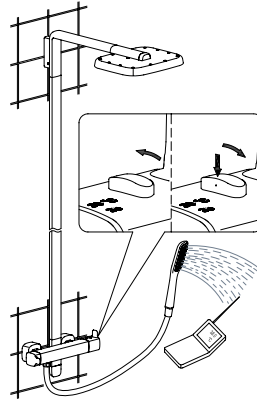




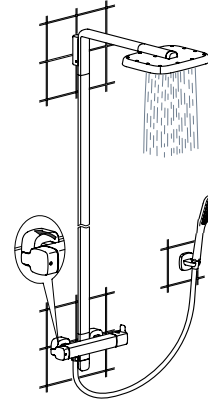
19



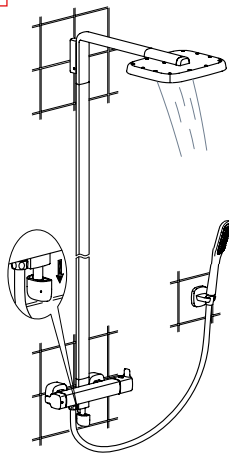
20



21



22



For parts or sale requirements
please contact our customer service department:



CS@daxib.com



1 888 685 8236

