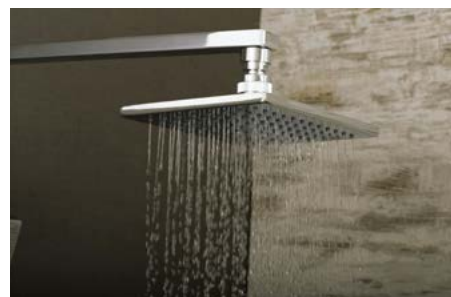


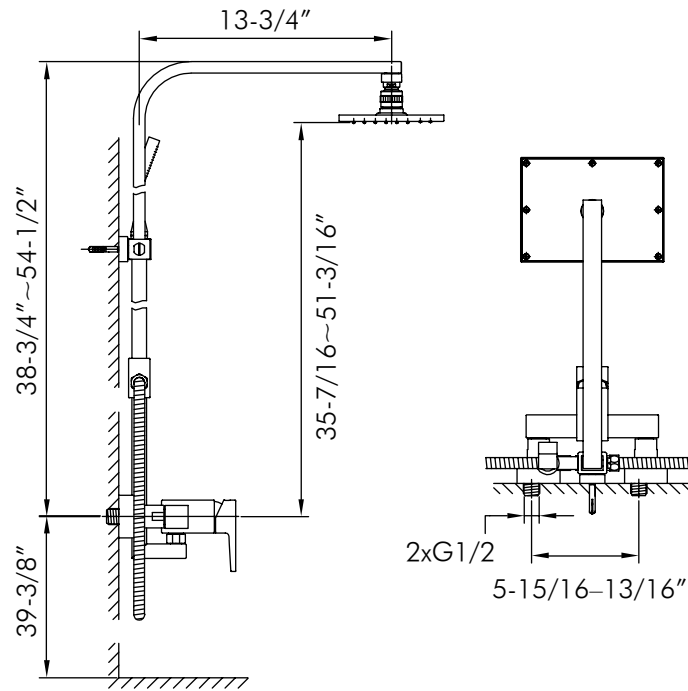


DAX-8409



SHOWER SYSTEMS **SERIES**





FEATURES

- Three function spout diverter
- Wall mount system
- Rainshower
- Tub filler
- Handshower included
- Ceramic cartridge
- Flow rate 2.0 GPM
- Brass body
- Chrome finish

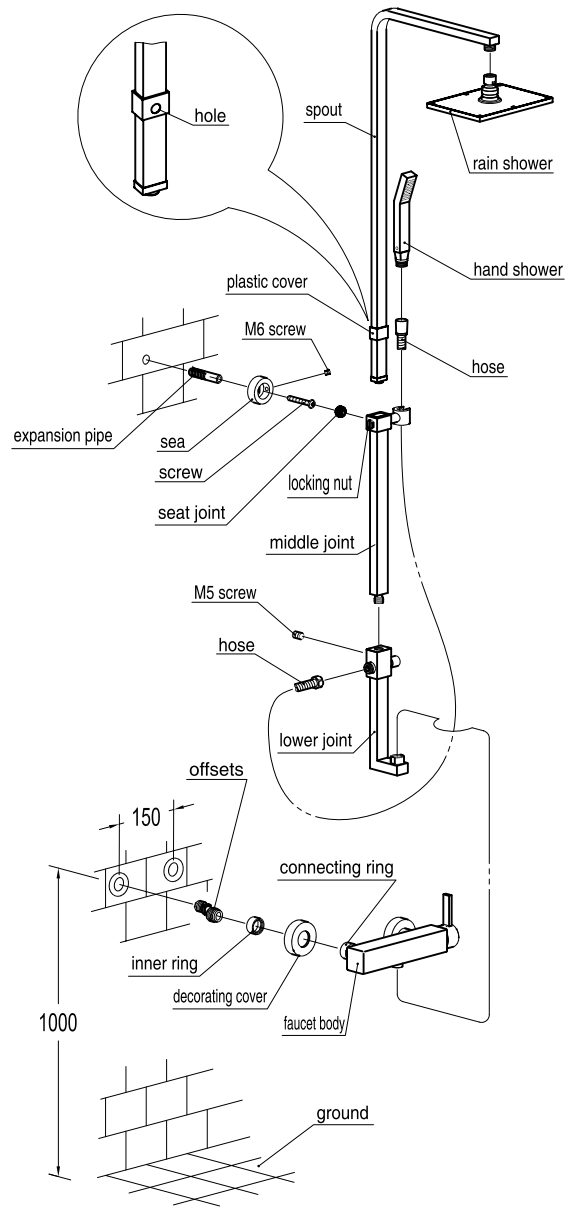




SHOWER SYSTEM **DAX-8409**

MODEL	DAX-8409
ADA	NO
UPC APPROVED	NO
ANSI APPROVED	NO
ASME APPROVED	NO
BODYSPRAYS INCLUDED	N/A
NUMBER OF BODYSPRAYS	N/A
BODYSPRAYS CONNECTION SIZE	2.0 GPM
HAND SHOWER FLOW RATE (GPM)	2.0 GPM
SHOWER HEAD FLOW RATE (GPM)	2.0 GPM
ROUGH-IN VALVE FLOW RATE (GPM)	Brass
HANDLE MATERIAL	Single
HANDLE STYLE	YES
HAND SHOWER INCLUDED	YES
HAND SHOWER HOSE INCLUDED	59-1/16"
HAND SHOWER HOSE LENGTH	Wall Mount
INSTALLATION TYPE	Brass
MATERIAL	NO
PRESSURE BALANCE	NO
SCALD GUARD	YES
SHOWER HEAD	YES
SHOWER HEAD SHAPE	Rectangular
SHOWER HEAD WIDTH	7-13/16"
SLIDE BAR INCLUDED	NO
SLIDE BAR DIMENSION	N/A
THERMOSTATIC	YES
VALVE INCLUDED	YES
VALVE TYPE	Thermostatic
WATER EFFICIENT	YES
WATERSENSE CERTIFIED	NO
FINISH	Chrome





For parts or sale requirements please contact our customer service department:

 CS@daxib.com

 1 888 685 8236