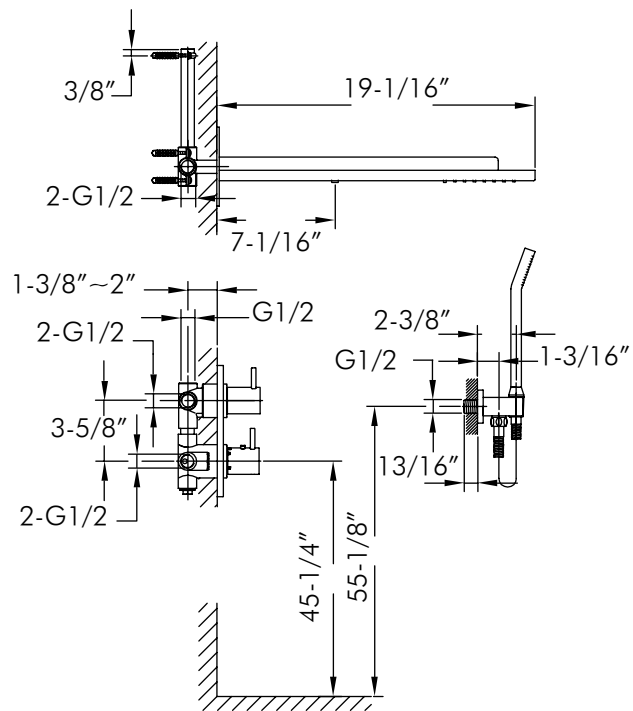




DAX-8379

SHOWER SYSTEMS **SERIES**



FEATURES

- Three function valve
- Wall mount shower head
- Rainshower
- Waterfall
- Handshower included
- Silicone water nozzles
- Ceramic cartridge
- Flow rate 2.0 GPM
- Thermostatic valve
- Anti-scalding protection
- Brass body
- Chrome finish



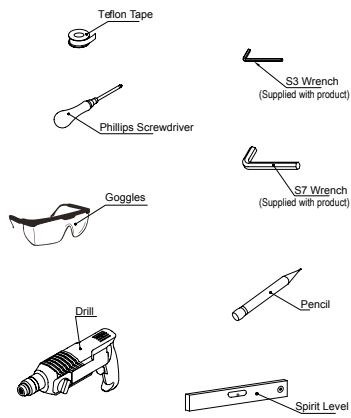


SHOWER SYSTEM DAX-8379

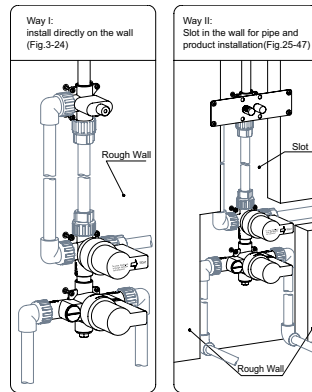
MODEL	DAX-8379
BODYSPRAYS INCLUDED	NO
NUMBER OF BODYSPRAYS	N/A
BODYSPRAYS CONNECTION SIZE	N/A
HAND SHOWER FLOW RATE (GPM)	2.0 GPM
SHOWER HEAD FLOW RATE (GPM)	2.0 GPM
ROUGH-IN VALVE FLOW RATE (GPM)	2.0 GPM
HANDLE MATERIAL	Brass
HANDLE STYLE	Double
HAND SHOWER INCLUDED	YES
HAND SHOWER MATERIAL	Brass
HAND SHOWER HOSE INCLUDED	YES
INSTALLATION TYPE	Wall mount
MATERIAL	Brass
PRESSURE BALANCE	NO
ANTI-SCALDING PROTECTION	YES
SHOWER ARM CONNECTION SIZE	2 X G1/2"
SHOWER HEAD	YES
SHOWER HEAD LENGHT	19-1/16"
SHOWER HEAD SHAPE	Square
SLIDE BAR INCLUDED	NO
SLIDE BAR DIMENSION	N/A
THERMOSTATIC	YES
VALVE INCLUDED	Yes
VALVE TYPE	Thermostatic
FINISH	Chrome
INLETS	2
INLETS SIZE	1/2"
OUTLETS	3
OUTLETS SIZE	1/2"



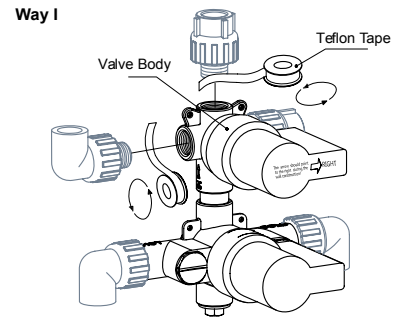
01



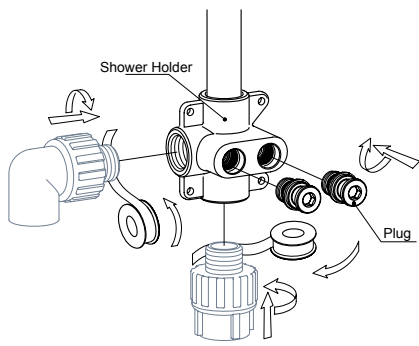
02



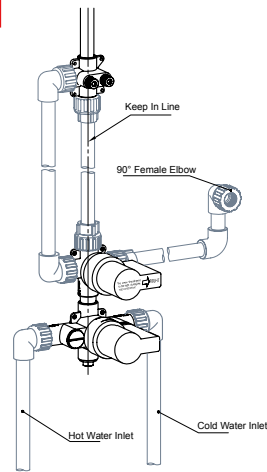
03



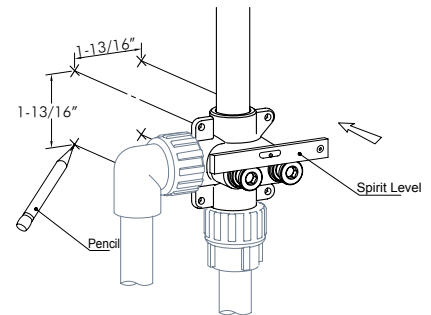
04



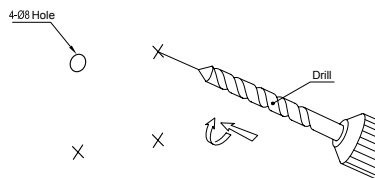
05



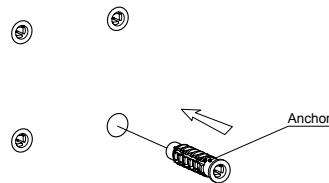
06



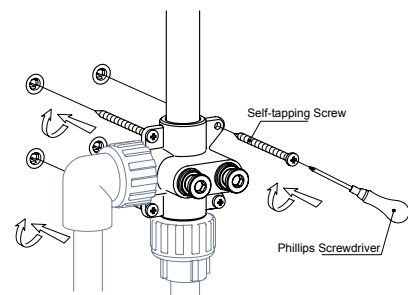
07



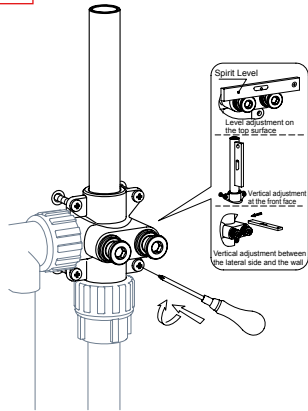
08



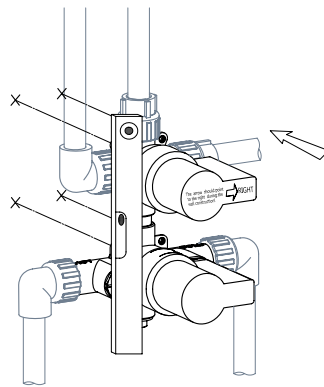
09



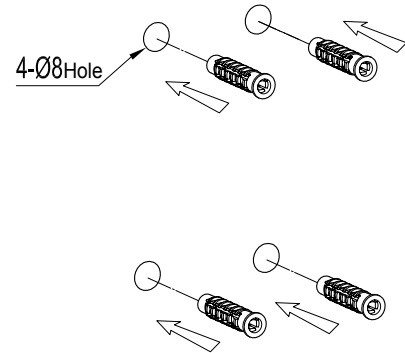
10



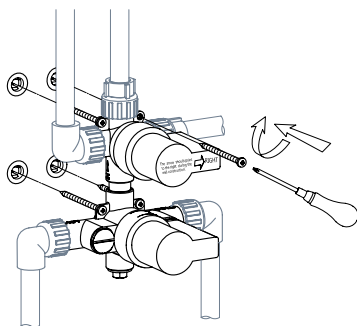
11



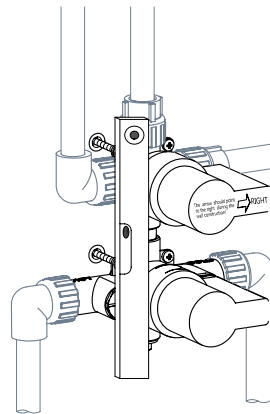
12



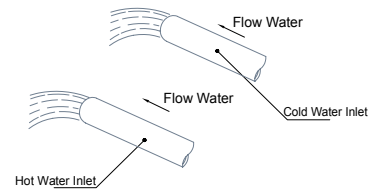
13



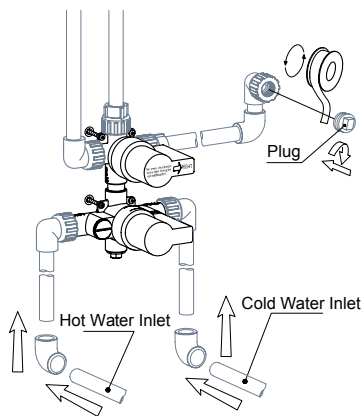
14



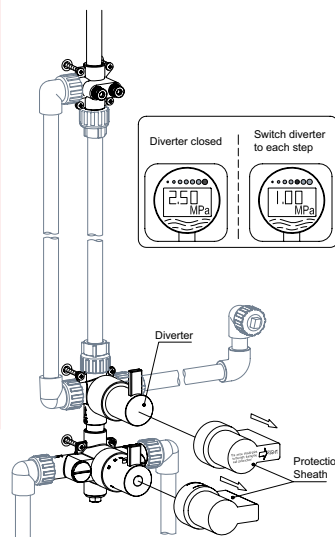
15



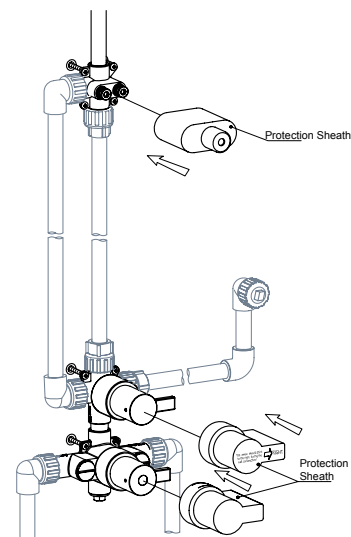
16



17

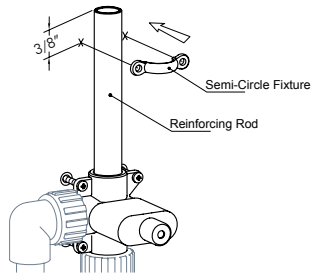


18

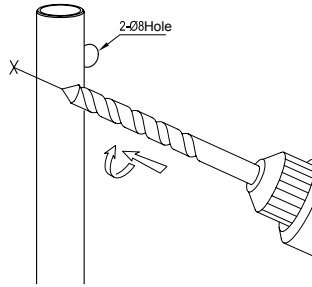




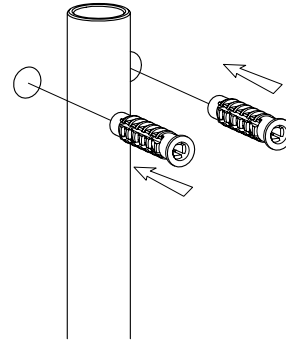
19



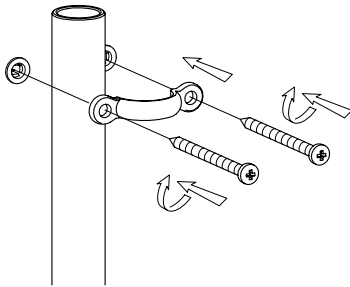
20



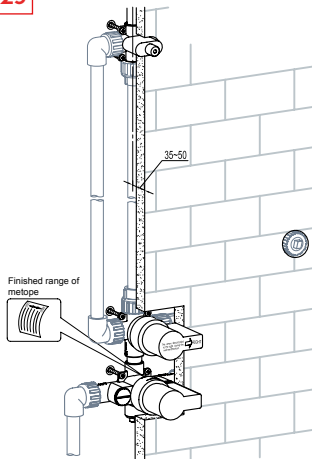
21



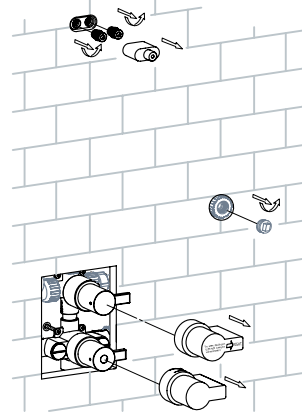
22



23

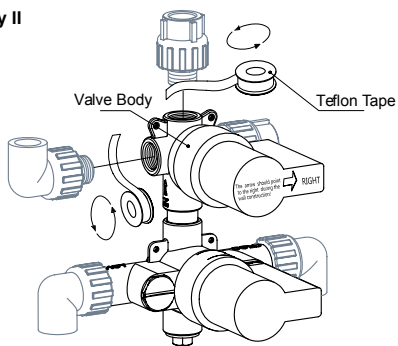


24

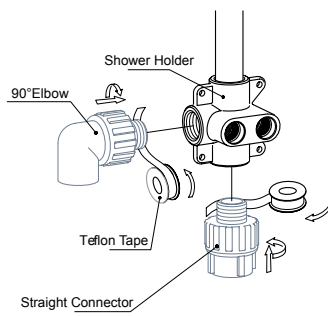


25

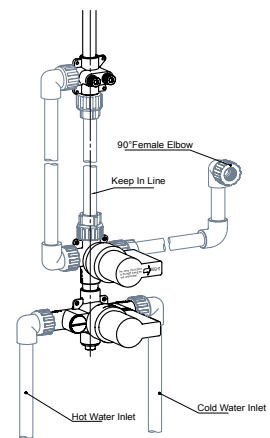
Way II



26

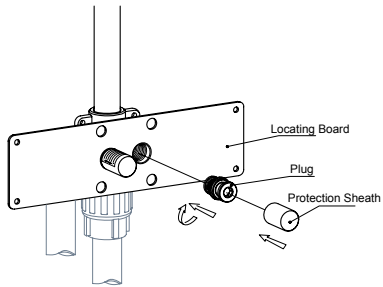


27

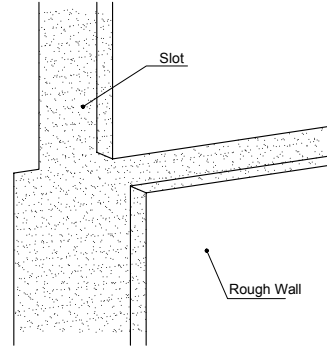




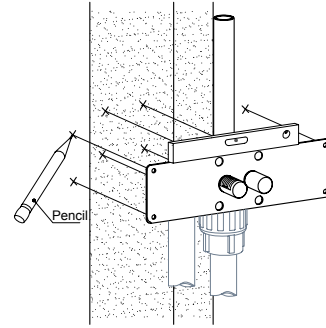
28



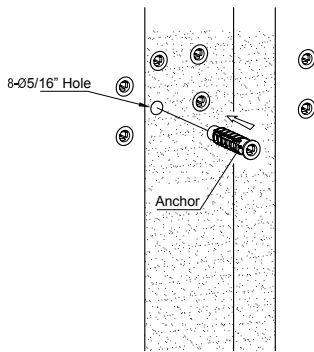
29



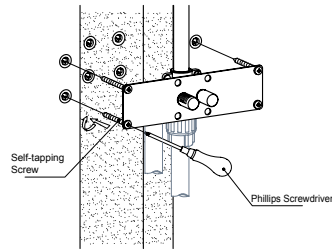
30



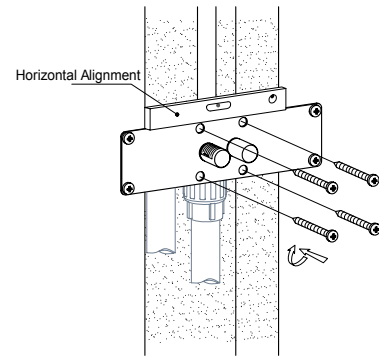
31



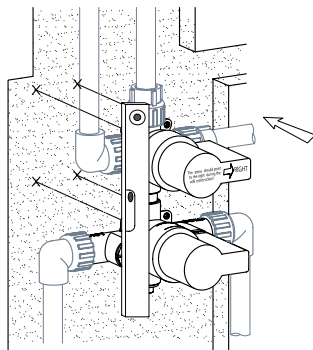
32



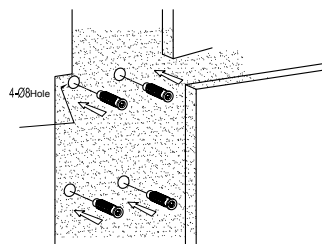
33



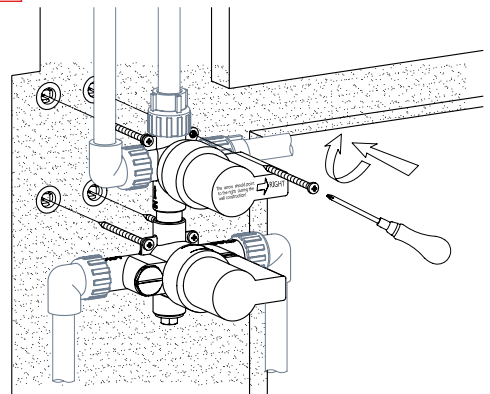
34



35

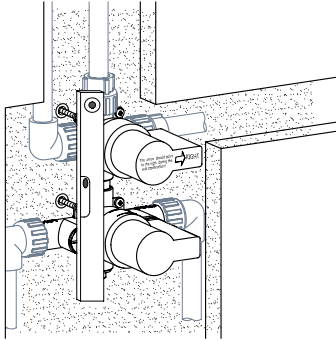


36

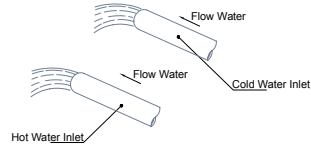




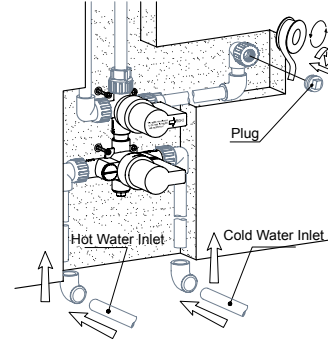
37



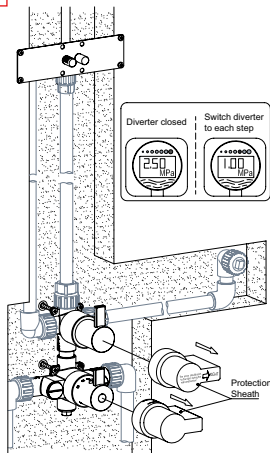
38



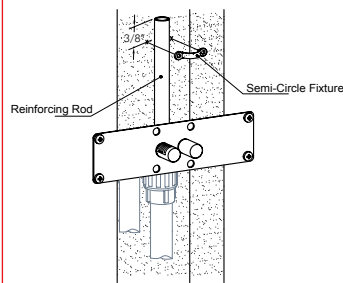
39



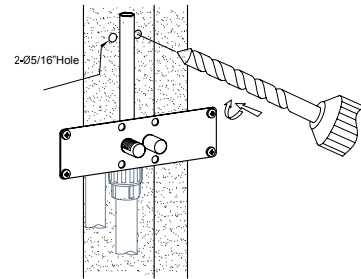
40



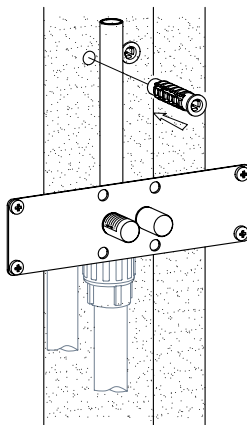
41



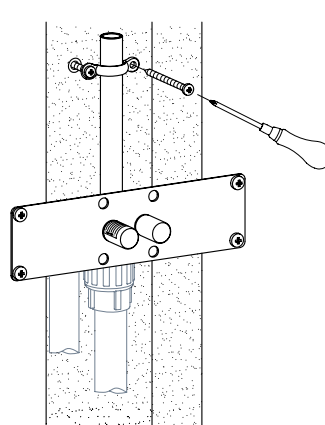
42



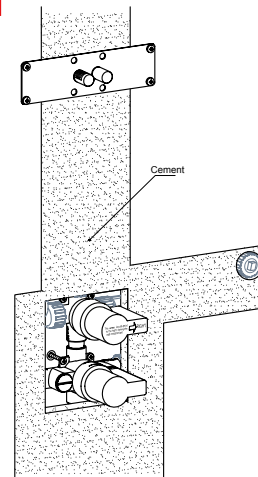
43



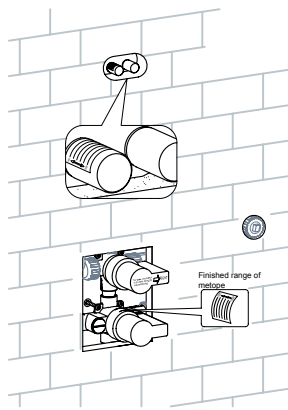
44



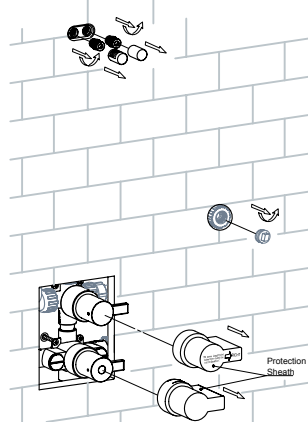
45



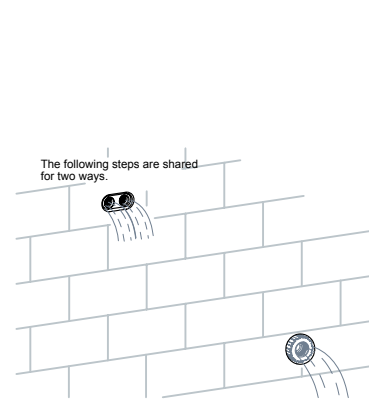
46



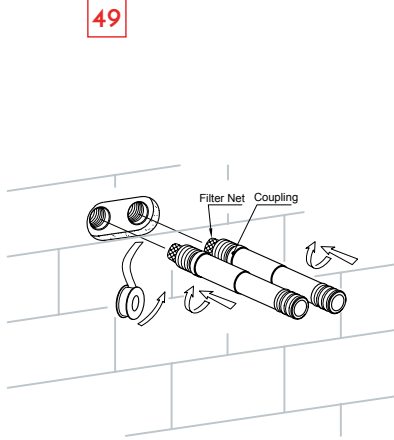
47



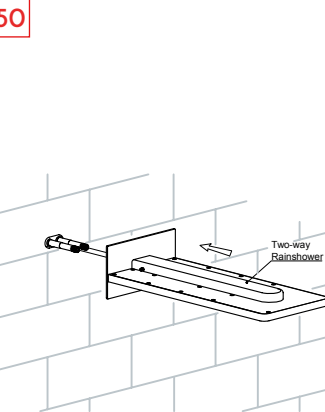
48



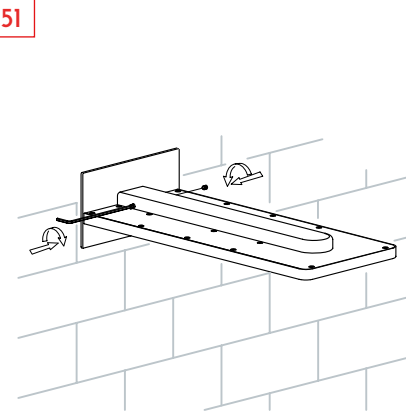
49



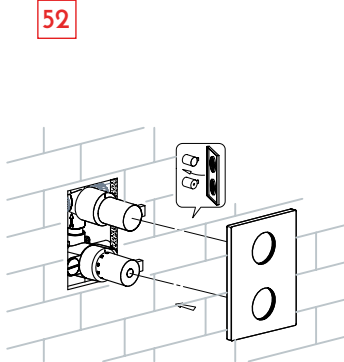
50



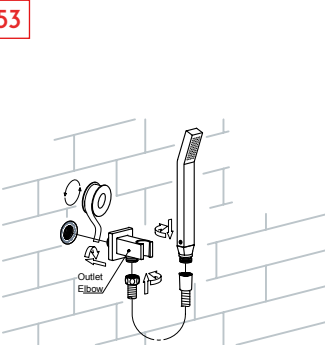
51



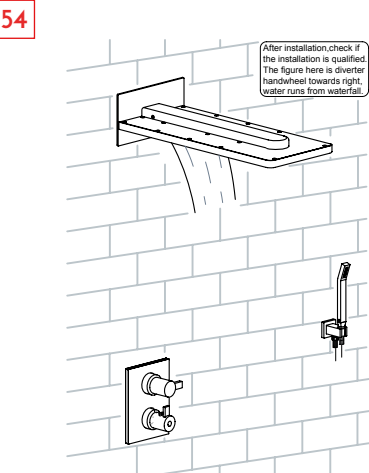
52



53

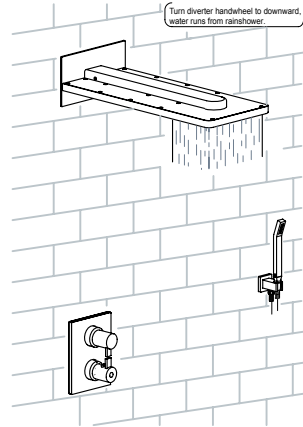


54

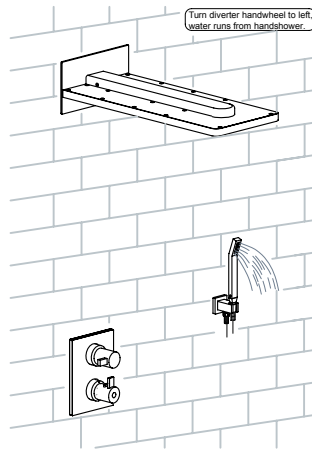




55



56



For parts or sale requirements
please contact our customer service department:



CS@daxib.com



1 888 685 8236