

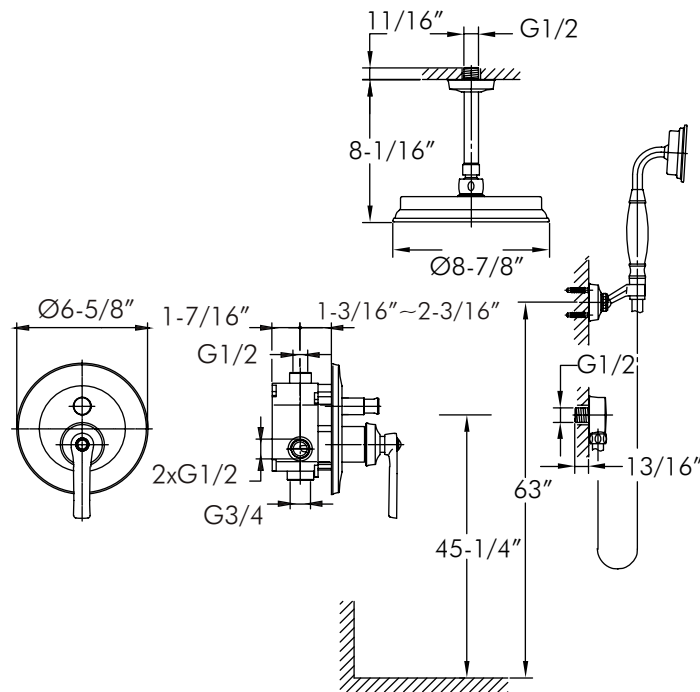


DAX-8339-CR



SHOWER SYSTEMS **SERIES**





FEATURES

- Two function valve
- Ceiling mount shower head
- Rainshower
- Handshower included
- Silicone water nozzles
- Ceramic cartridge
- Flow rate 2.0 GPM
- Brass body
- Chrome finish

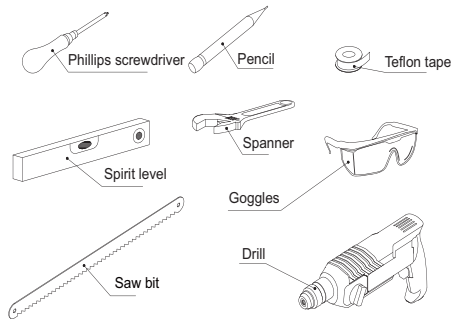


SHOWER SYSTEM **DAX-8339-CR**

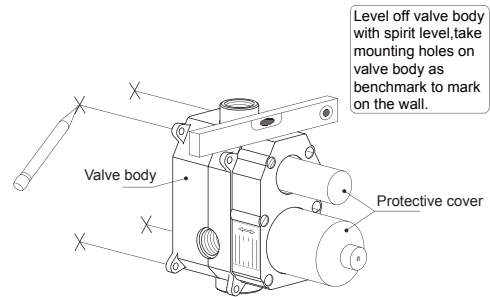
MODEL	DAX-8339-CR
ADA	NO
UPC APPROVED	NO
ANSI APPROVED	NO
ASME APPROVED	NO
BODYSPRAYS INCLUDED	N/A
NUMBER OF BODYSPRAYS	N/A
BODYSPRAYS CONNECTION SIZE	N/A
FLOW RATE (GPM)	2.0 GPM
INLETS QUANTITY	2
INLETS SIZE	1/2"
OUTLETS QUANTITY	2
OUTLETS SIZE	1/2"
HANDLE MATERIAL	BRASS
HANDLE STYLE	SINGLE
GOCLICK BUTTONS	N/A
HAND SHOWER INCLUDED	YES
HAND SHOWER HOSE INCLUDED	YES
HAND SHOWER HOSE LENGTH	59-1/16"
INSTALLATION TYPE	Wall mount
MATERIAL	Brass
PRESSURE BALANCE	NO
SCALD GUARD	NO
SHOWER ARM REACH	8-1/16"
SHOWER ARM CONNECTION SIZE	G1/2"
SHOWER HEAD	YES
SHOWER HEAD HEIGHT	8-1/16"
SHOWER HEAD SHAPE	ROUND
SHOWER HEAD WIDTH	Ø8-7/8"
SLIDE BAR INCLUDED	NO
SLIDE BAR DIMENSION	NO
THERMOSTATIC	NO
VALVE TYPE	Single lever
FINISH	Chrome



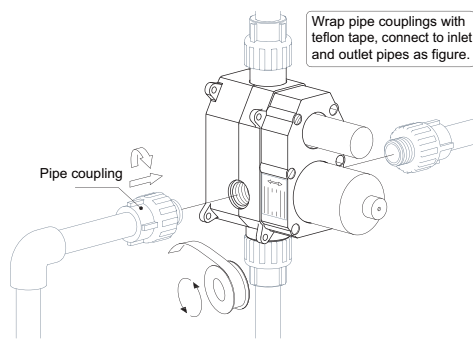
01



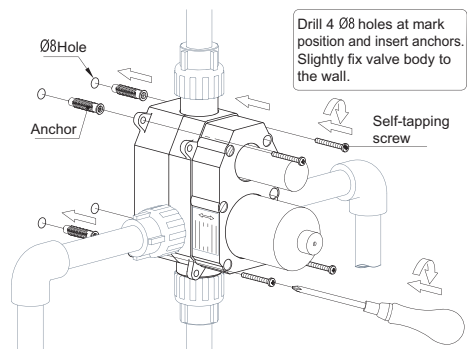
02



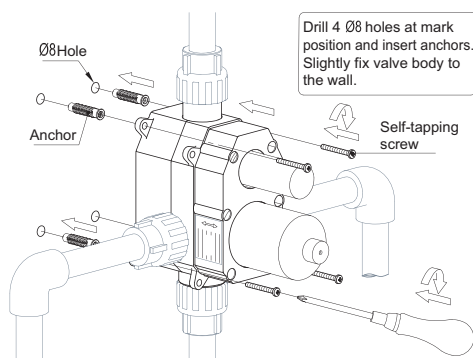
03



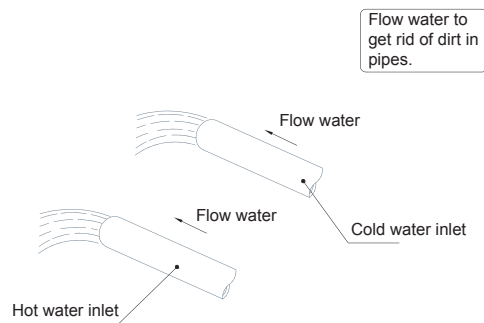
04

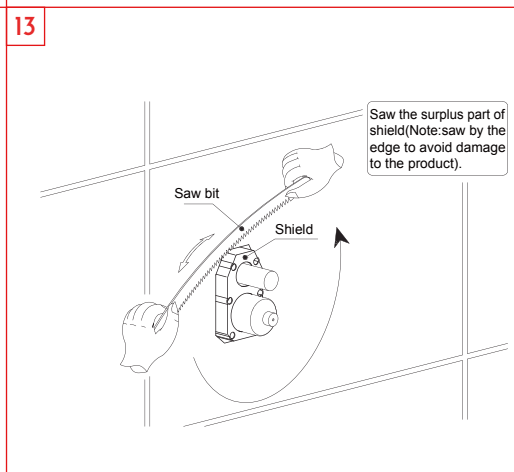
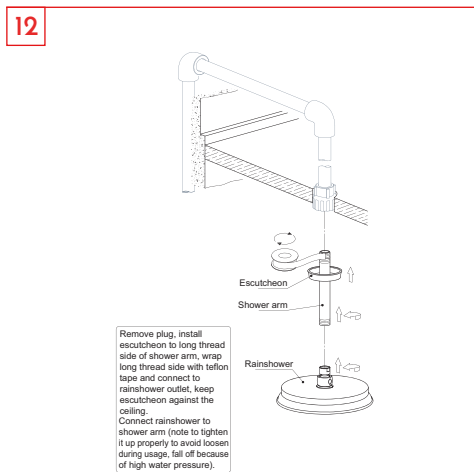
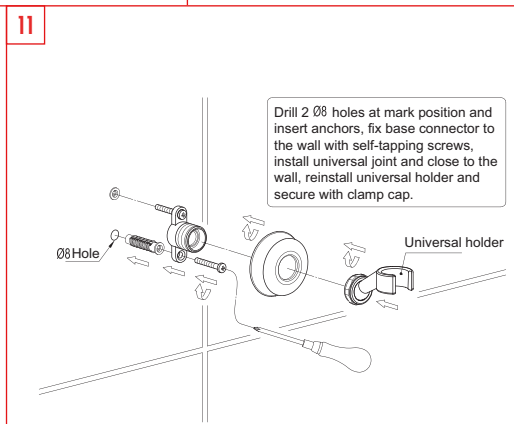
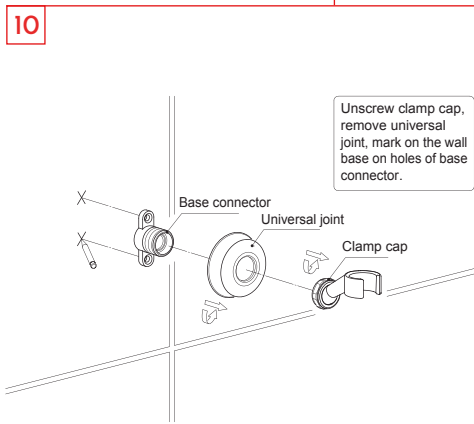
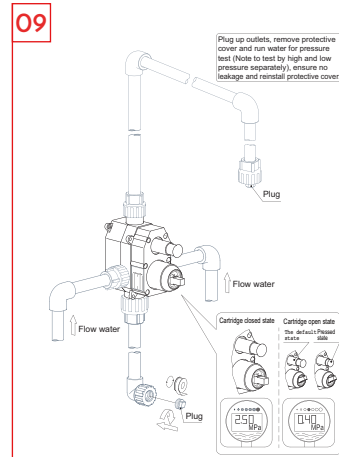
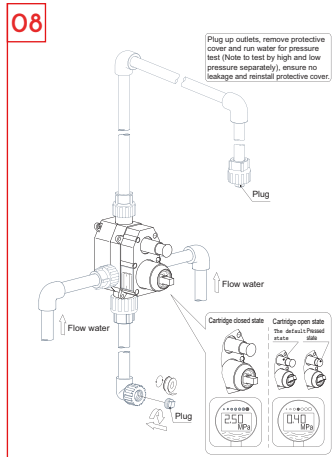
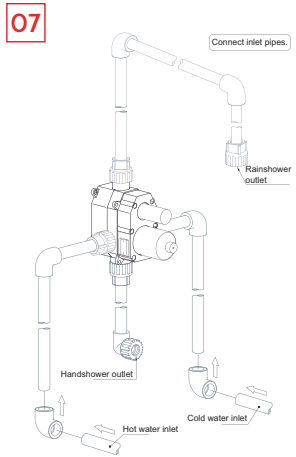


05



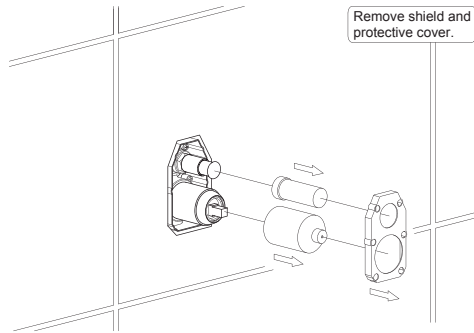
06



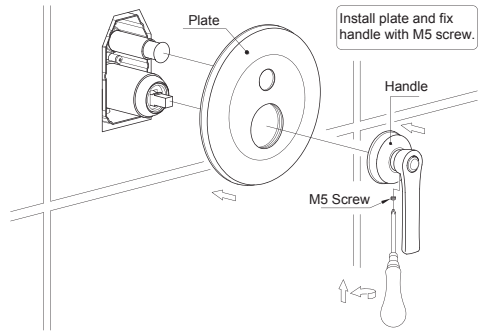




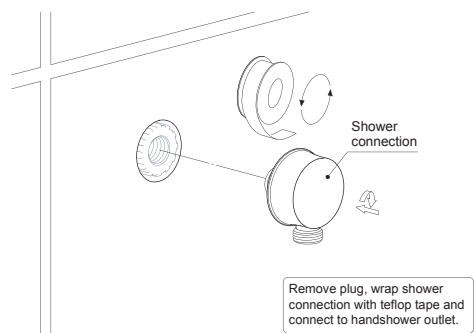
14



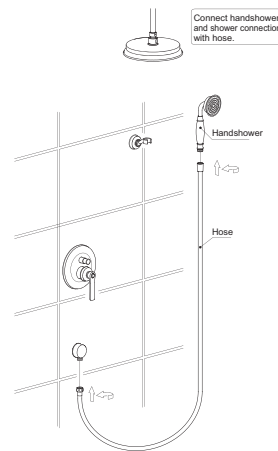
15



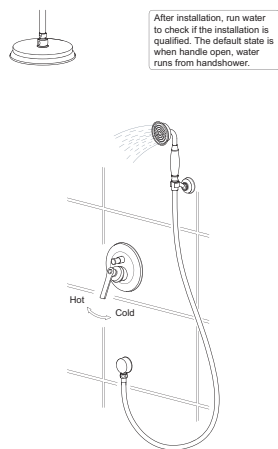
16



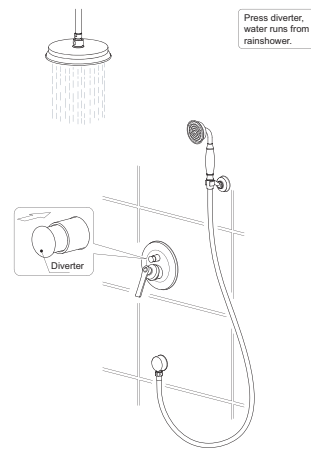
17



18



19



For parts or sale requirements please contact our customer service department:

 CS@daxib.com

 1 888 685 8236