



DAX-8312-BN

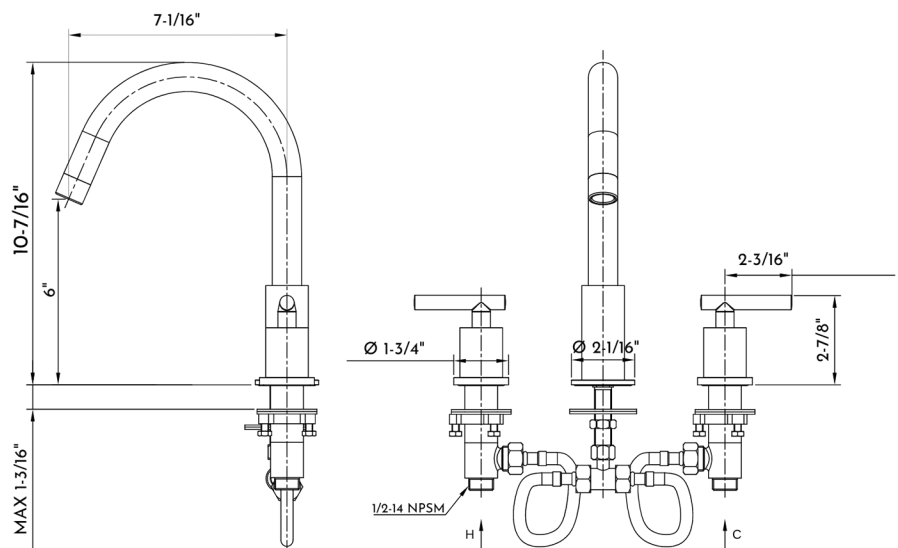


BATHROOM FAUCETS SERIES



FEATURES

- Dual Handle
- Ceramic Cartridge
- Brushed Stainless Steel Finish
- Flow rate: 1.5 GPM
- Installation Hole 1-3/8"
- cUPC - NSF61-9 - AB1953 Approved
- Hoses and Mounting Parts Included
- Pop Up Drain not included (Available)





BATHROOM FAUCET DAX-8312-BN

MODEL	DAX-8312-BN
MATERIAL	Brass
FINISH	Brushed Nickel
HEIGHT	10-7/16"
SPOUT HEIGHT	6"
SPOUT REACH	7-1/16"
FLOW RATE	1.5 GPM
HOT COLD INDICATORS	Yes
DECK PLATE INCLUDED	No
COMPATIBLE VALVE TYPE	Ceramic Cartridge
HANDLE STYLE	Dual Lever
NUMBER OF HANDLES	Two
HOSE LENGHT	11-13/16"
FAUCET HOLES	3
FAUCET HOLE SIZE	1 1/8"
INSTALATION TYPE	Deck Mounted
SPOUT SWIVEL	No
MAX DECK THICKNESS	1-3/16"

For parts or sale requirements please contact our customer service department:

 CS@daxib.com

 1 888 685 8236