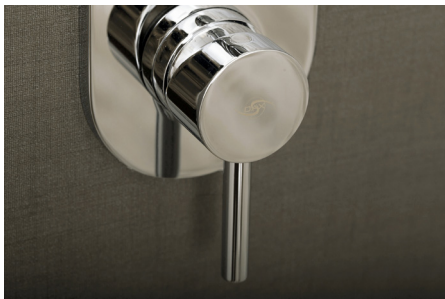




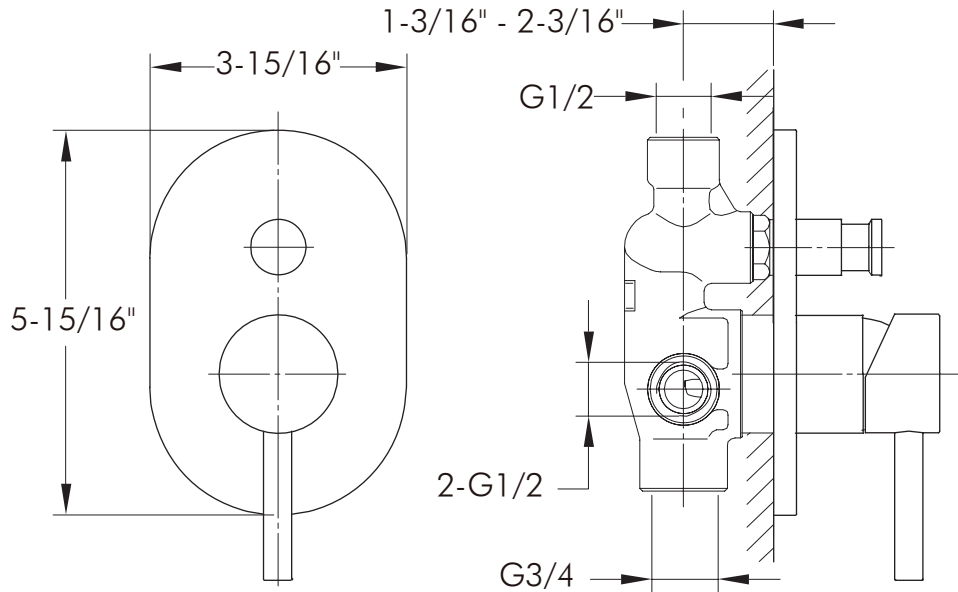
DAX-8308



SHOWER VALVES **SERIES**



www.daxib.com



FEATURES

- Two functions
- Pressure balance
- Ceramic cartridge
- Brass body
- Chrome finish





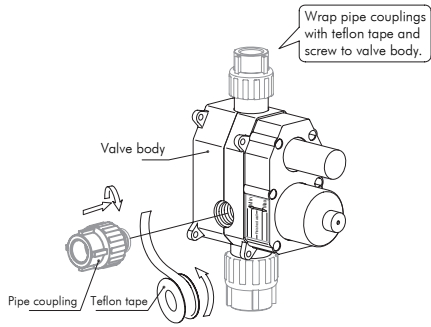
SHOWER VALVE DAX-8308-BN

MODEL	DAX-8308-BN
UPC APPROVED	YES
ANSI APPROVED	YES
ASME APPROVED	YES
BODYSPRAYS INCLUDED	NO
NUMBER OF BODYSPRAYS	N/A
BODYSPRAYS CONNECTION SIZE	N/A
HAND SHOWER FLOW RATE (GPM)	2.0 GPM
SHOWER HEAD FLOW RATE (GPM)	2.0 GPM
ROUGH-IN VALVE FLOW RATE (GPM)	2.0 GPM
HANDLE MATERIAL	Brass
HANDLE STYLE	Single
HAND SHOWER INCLUDED	NO
HAND SHOWER HOSE INCLUDED	NO
HAND SHOWER HOSE LENGTH	N/A
INSTALLATION TYPE	Concealed
MATERIAL	Brass
PRESSURE BALANCE	YES
SCALD GUARD	NO
SHOWER ARM REACH	N/A
SHOWER ARM CONNECTION SIZE	N/A
SHOWER HEAD	N/A
SHOWER HEAD HEIGHT	N/A
SHOWER HEAD SHAPE	N/A
SHOWER HEAD WIDTH	N/A
SLIDE BAR INCLUDED	NO
SLIDE BAR DIMENSION	N/A
SPRAY PATTERN	N/A
THERMOSTATIC	NO
VALVE INCLUDED	YES
VALVE TYPE	2 inlets/2 outlets
WATERSENSE CERTIFIED	NO
FINISH	Chrome

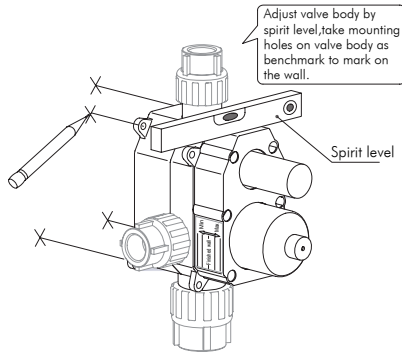




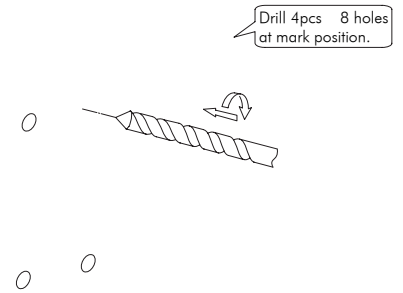
01



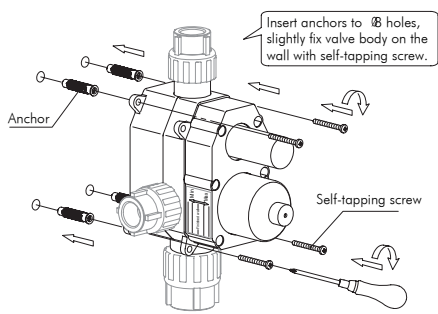
02



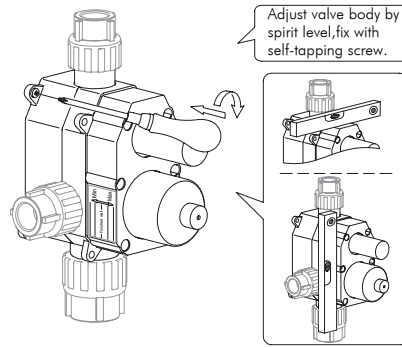
03



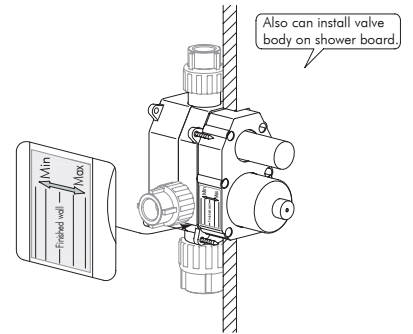
04



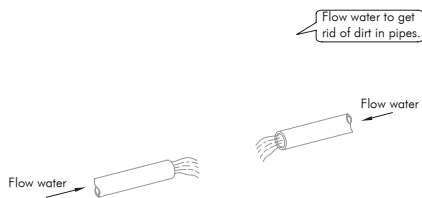
05



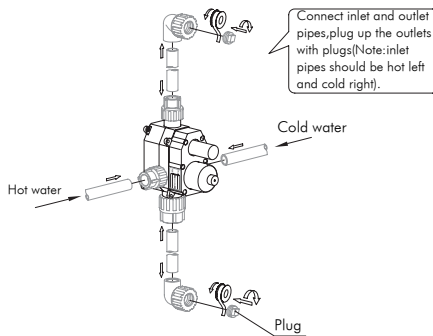
06



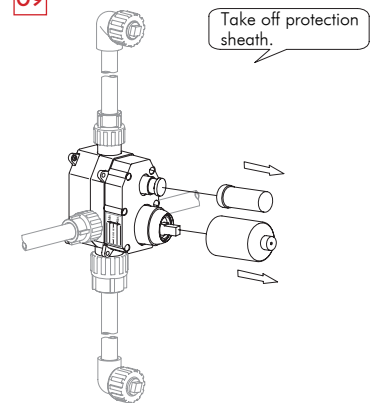
07



08

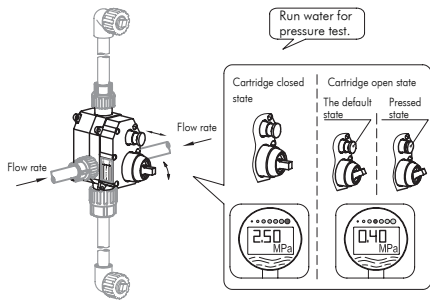


09

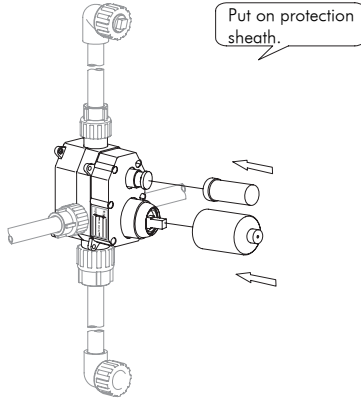




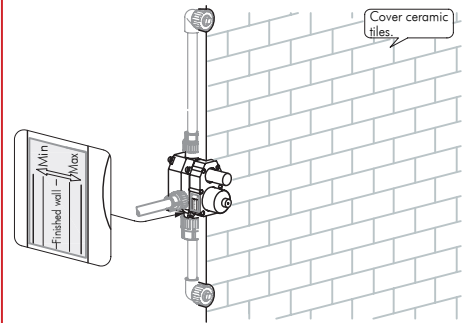
10



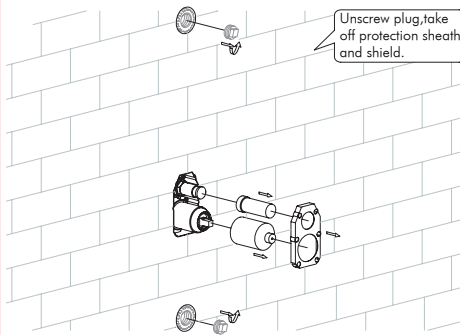
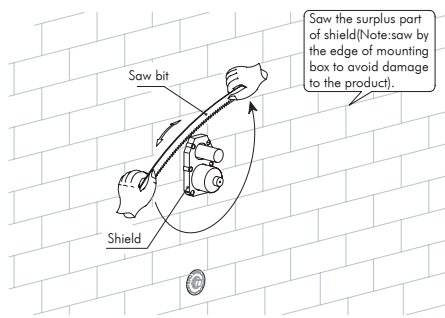
11



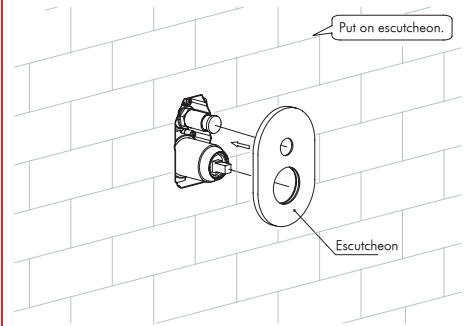
12



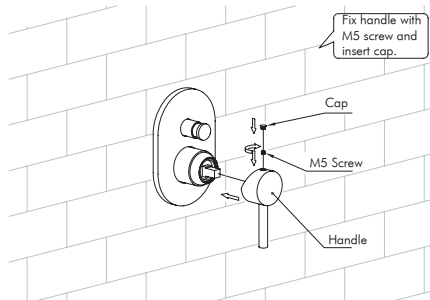
13



15



16



17

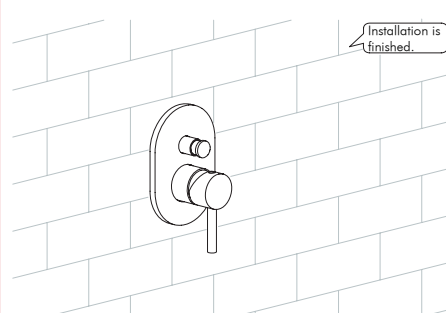
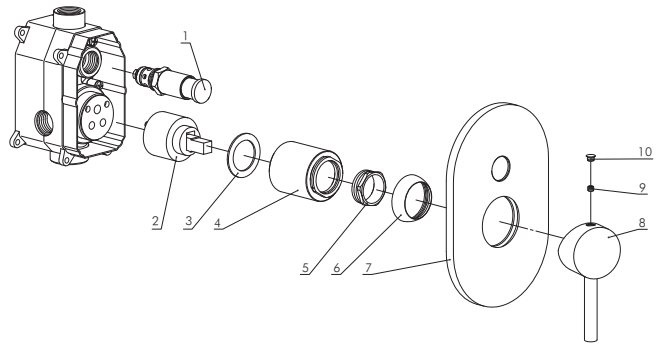




DIAGRAM NUMBER	DAX SKU	TITLE DESCRIPTION
1	FH 8308-51	Diverter
2		Ø40 cartridge
3	FH 8308-08	Rubber washer
4	FH 8308-02F	Cartridge sleeve
5	FH 8308-09	Locknut
6	FH DB-06	Cartridge decorative ring
7	FH 8308-07H	Decorative ring
8	FH D11-01D	Handle body
9	FH TJ-30504	M5x4 internal Hex flat end locking screw
10	FH D38A-02	Decorative cap



For parts or sale requirements please contact our customer service department:

 CS@daxib.com

 1 888 685 8236

