



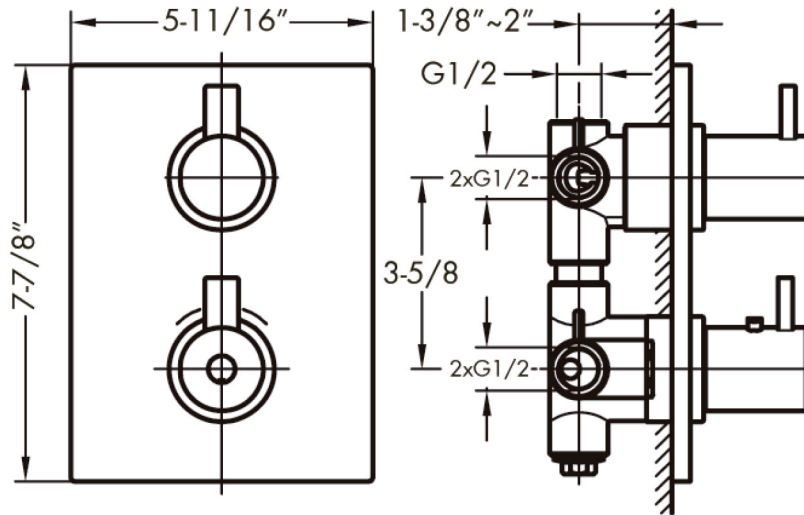
DAX-8302631-CR



SHOWER VALVES **SERIES**



www.daxib.com



FEATURES

- Three functions
- Thermostatic
- Ceramic cartridge
- Brass body





SHOWER VALVE DAX-8302631-CR

MODEL	DAX-8302631-CR
UPC APPROVED	No
ANSI APPROVED	Yes
ASME APPROVED	Yes
BODYSPRAYS INCLUDED	No
NUMBER OF BODYSPRAYS	No
HANDLE MATERIAL	Brass
GOCLICK BUTTONS	No
HAND SHOWER INCLUDED	No
HAND SHOWER HOSE INCLUDED	No
HAND SHOWER HOSE LENGTH	No
INSTALLATION TYPE	Concealed mixer
MATERIAL	Brass
PRESSURE BALANCE	No
THERMOSTATIC	Yes
VALVE TYPE	Thermostatic cartridge
FINISH	Chrome



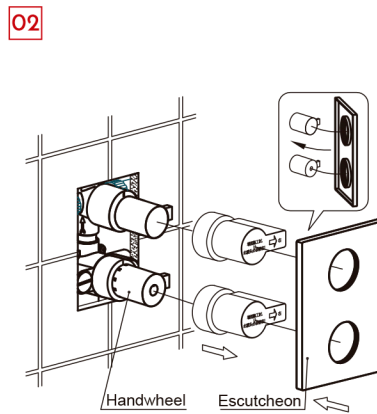
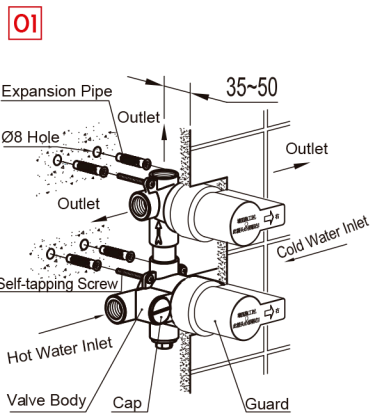




DIAGRAM NUMBER	DAX SKU	TITLE DESCRIPTION
1	FH NZ15-NP	Check valve
2	FH 8307-12	Filter
3	MF 2224	Ø17.2x2.4 O-ring
4	FH 8307-03	Locknut
5	FH TJ-30606	M6x6 screw
6	FH HW-V	Vernet cartridge
7	FH 8307-06B	Locknut
8	FH 617-15E	Limit snap ring
9	FH 631-82	Handle
10	FH TL-60420	M4x20 self-tapping screw
11	MF 1019	Ø6.2x1.9 O-ring
12	FH 8301-02A	Back plate
13	MF 5630	Ø50x3 O-ring
14	FH 619-03	Plug
15	FH TJ-40507	M5x7 screw
16	FH 631-02E	Handle
17	FH 617-23	Plastic spacer
18	FH T-02A	M4 stop screw
19	FH 631-03D	Handle adapter
20	FH 8306-09	Locknut
21	FH 8306-05B	Locknut
22	FH 8306-08	Washer
23	FH TE01A	Diverter valve

