



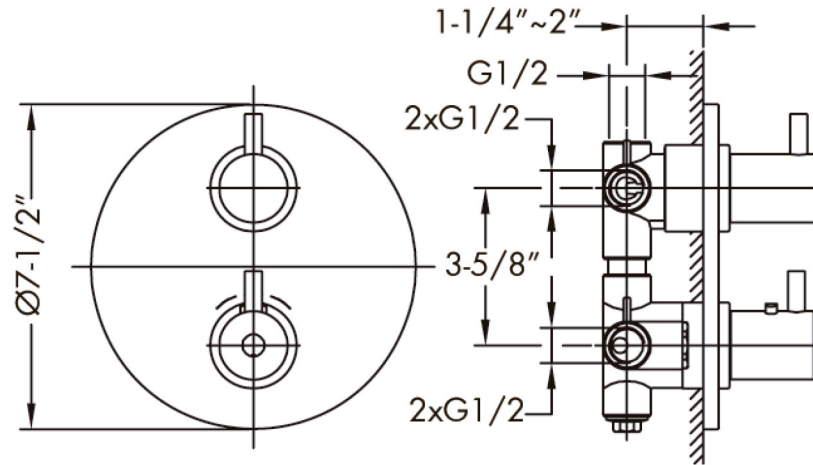
DAX-8302619-BN



SHOWER VALVES **SERIES**



www.daxib.com



FEATURES

- Three functions
- Thermostatic
- Ceramic cartridge
- Brass body





SHOWER VALVE DAX-8302619-BN

MODEL	DAX-8302619-BN
UPC APPROVED	No
ANSI APPROVED	Yes
ASME APPROVED	Yes
BODYSPRAYS INCLUDED	No
NUMBER OF BODYSPRAYS	No
HANDLE MATERIAL	Brass
GOCLICK BUTTONS	No
HAND SHOWER INCLUDED	No
HAND SHOWER HOSE INCLUDED	No
HAND SHOWER HOSE LENGTH	No
INSTALLATION TYPE	Concealed mixer
MATERIAL	Brass
PRESSURE BALANCE	No
THERMOSTATIC	Yes
VALVE TYPE	Thermostatic cartridge
FINISH	Brushed nickel



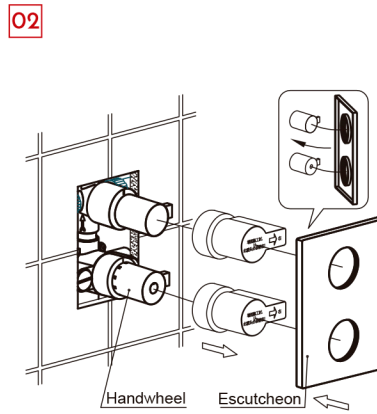
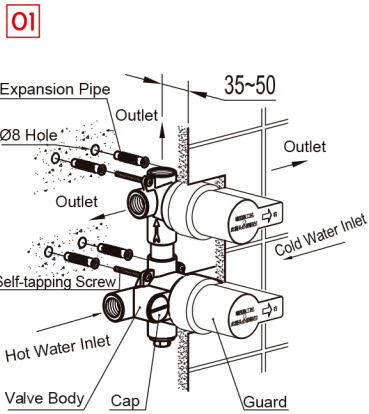




DIAGRAM NUMBER	DAX SKU	TITLE DESCRIPTION
1	FH 612-02	Handle
2	FH TJ-60515	M5x15 screw
3	FH 619-01L	Handle body
4	FH T-02A	M4x6 stop screw
5	FH 631-03D	Handle adapter
6	FH 617-23	Plastic spacer
7	MF 5630	Space ring
8	FH 8301-02	Ø190 back plate
9	FH 8306-09	Locknut
10	FH 8306-05B	Locknut
11	FH 8306-08	Rubber washer
12	FH TE01A	E01A diverter valve
13	FH NZ15-NP	Check valve
14	FH 8307-12	Filter
15	FH 8307-03	Locknut
16	FH TJ-30606	M6x6 screw
17	FH HW-V	Vernet cartridge
18	FH 8307-06B	Locknut
19	FH 617-15E	Limit snap ring
20	FH 619-01J	Handle body
21	FH TL-60420	M4x20 screw
22	FH 619-03	Plug

