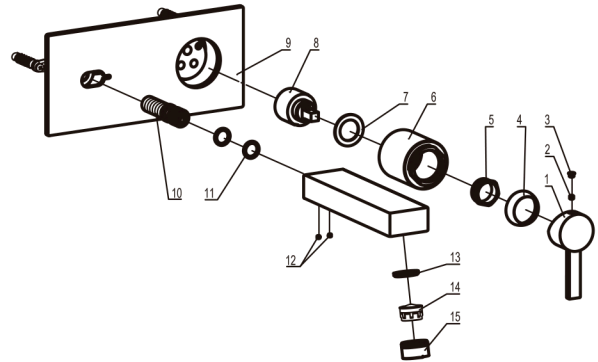





DIAGRAM NUMBER	DAX SKU	TITLE DESCRIPTION
1	FH D38-01C	Handle
2	FH TJ-30504	M5x4 Internal Hex flat end locking screw
3	FH D38A-02	Decoration cap
4	FH DB-06	Decorative ring
5	FH 8308-09	Locknut
6	FH 8308-02F	Cartidge sleeve
7	FH 8308-08	Rubber washer
8		ε40 cartridge
9	FH 8289-02	Decorative cover
10	FH 8287-04	Spout connector
11	MF 1624	Ø11.3x2.4 "O" ring
12	FH TJ-30605	M6x5 Internal Hex flat end locking screw
13	FH TQ10-02	Spout washer
14	FH TQ-07G	M24 aerator
15	FH TQ15-01A	Spout outer collar



For parts or sale requirements please contact our customer service department:

 CS@daxib.com

 1 888 685 8236