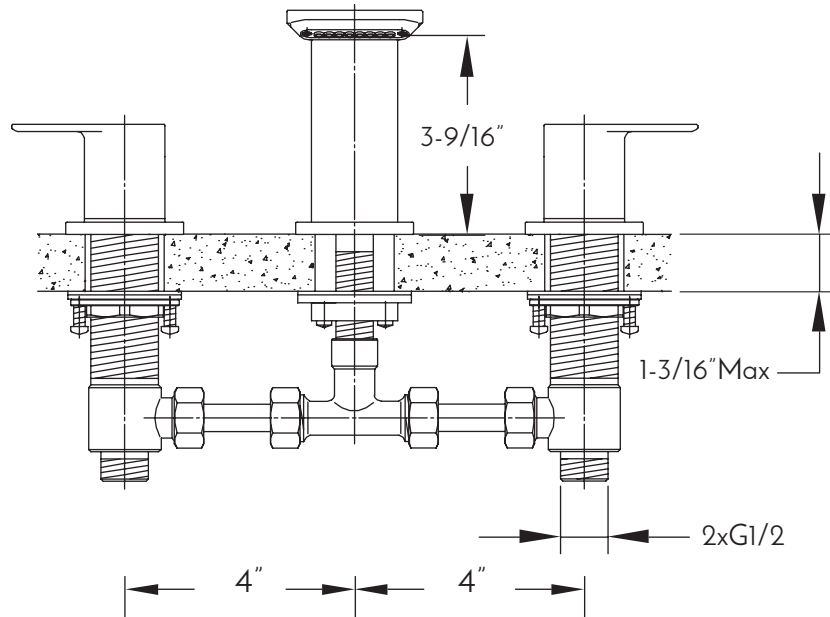




DAX-8275C-BN



BATHROOM FAUCETS **SERIES**



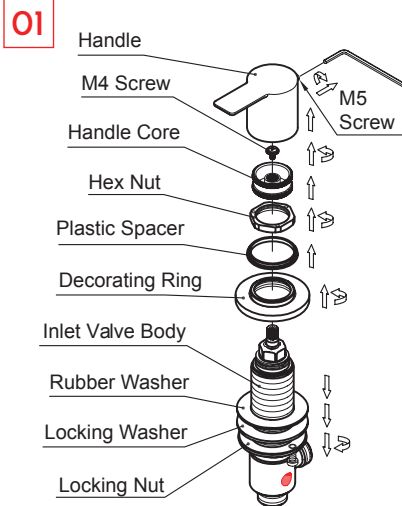
FEATURES

- Two Handles
- Ceramic cartridge
- Brass body
- Flow rate 1 GPM
- Installation hole $1\text{-}\frac{3}{8}$ "
- Hoses and mounting parts included
- Pop up drain not included (available)
- Brushed nickel finish

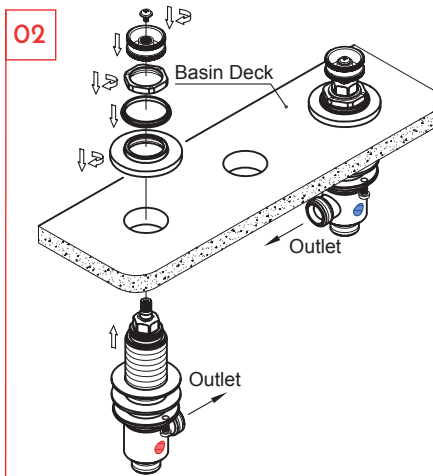


BATHROOM FAUCET DAX-8275C-BN

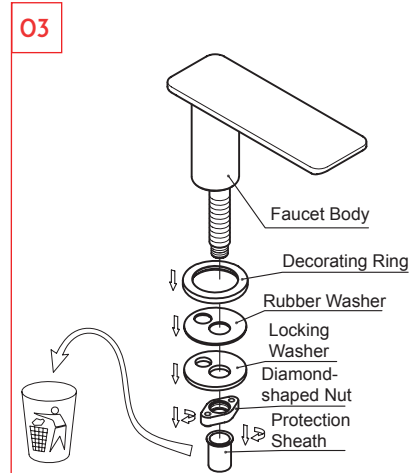
MODEL	DAX-8275C-BN
ADA	NO
UPC APPROVED	NO
ANSI APPROVED	NO
ASME APPROVED	NO
WATERSENSE CERTIFIED	NO
NSF APPROVED	NO
CONNECTION SIZE	3/8"
FAUCET HOLE SIZE	1 3/8"
FAUCETS HOLE	3
HANDLE STYLE	Double handle
NUMBER OF HANDLES	2
HOSE LENGTH	NO HOSE
INSTALLATION TYPE	DECK MOUNTED
MATERIAL	Brass
FINISH	Brushed nickel
SIDESPRAY	N/A
SPOUT HEIGHT	3-9/16"
SPOUT SWIVEL	NO
CARTRIDGE TYPE	Ceramic
POP-IP INCLUDED	NO
MAX DECK THICKNESS	1-3/16" MAX



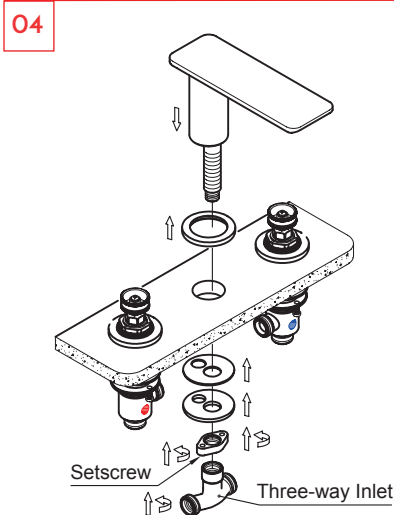
Loosen the M5 screw first. Take off from the inlet valve bodies the following one by one: handle, M4 screw, handle core, hex nut, plastic spacer and decorating ring. Screw off the locking nuts to the bottom.



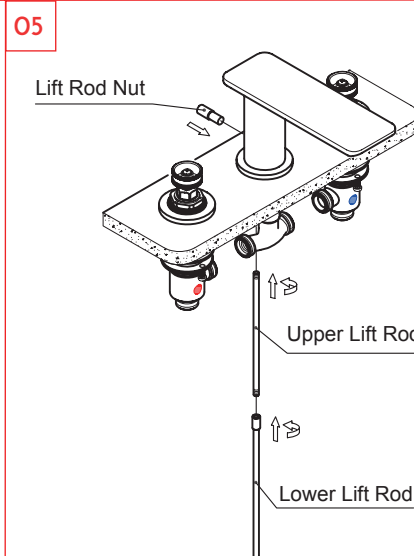
Place the two inlet valve bodies (red on the left and blue on the right) upward through the basin deck with the outlet holes facing against each other. Tighten on the decorating rings. Put on the plastic spacer (red for the left and blue for the right) and then tighten the hex nuts. Install back the handle core and



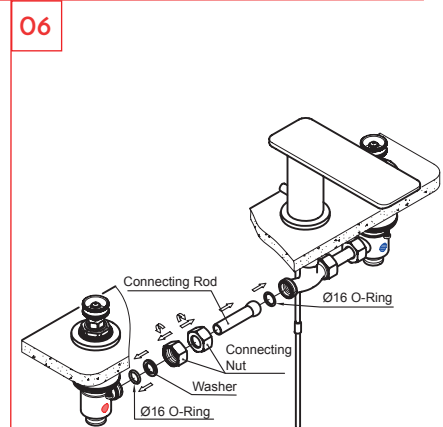
Take off the following from the faucet body accordingly: the protection sheath, diamond-shaped nut, locking washer, rubber washer and deco rings.



Put the decorating ring onto the faucet body and then place the faucet body downward through the basin deck. Then put on the rubber washer and locking washer, tightened by diamond-shaped nut and setscrew. Connect the three-way inlet.



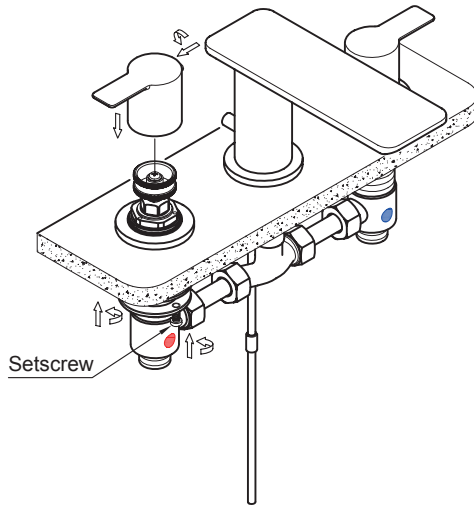
First connect the upper lift rod with the lower lift rod. Then insert the lift rod nut into the slot at the back of the faucet body to connect with the upper lift rod.



Use the connecting rod to connect the two inlet valve bodies and the three-way inlet. Tighten them with connecting nuts.

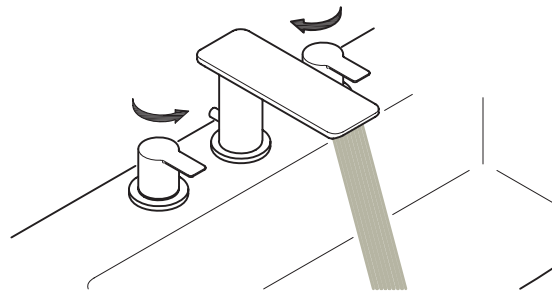


07



Take off the locking nut and setscrew from the inlet valve bodies and install the handles back. Tighten M5 screw.

08



After installation, turn on water to check if everything is complete. Attention to cold water on the right and hot water on the left. The diagram shows water flow when the handles are turned on.

For parts or sale requirements please contact our customer service department:



CS@daxib.com



1 888 685 8236