

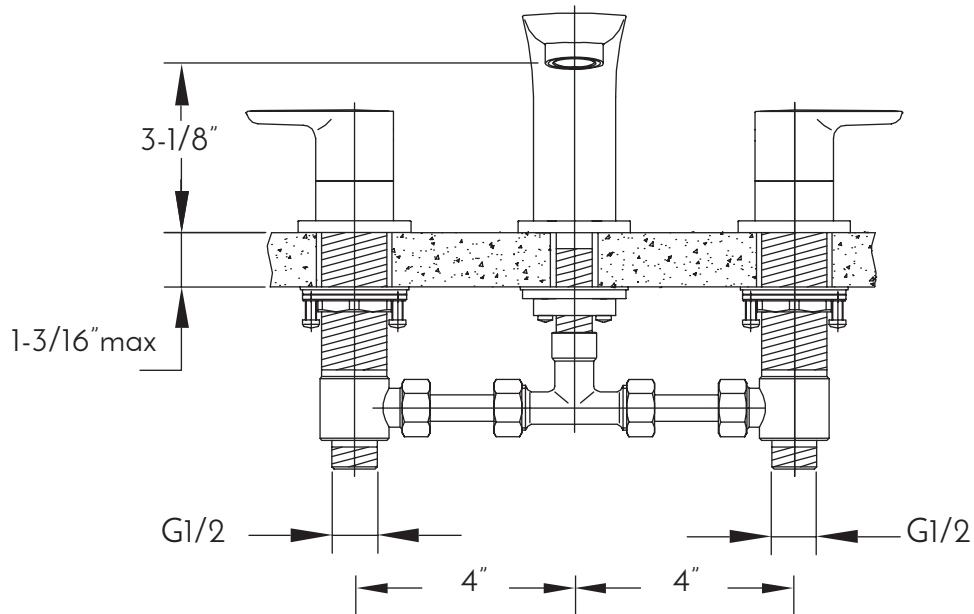


DAX-8273C



BATHROOM FAUCETS SERIES





FEATURES

- Two Handles
- Ceramic cartridge
- Brass body
- Flow rate 1.2 GPM
- Installation hole 1-3/8"
- Chrome finish
- Hoses and mounting parts included
- Pop up drain not included (available)





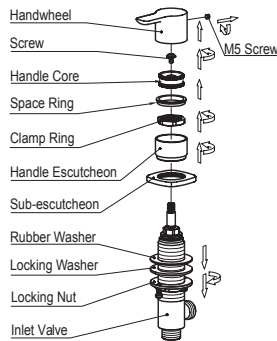
BATHROOM FAUCET **DAX-8273C**

MODEL	DAX-8273C
ADA	NO
UPC APPROVED	NO
ANSI APPROVED	NO
ASME APPROVED	NO
WATERSENSE CERTIFIED	NO
NSF APPROVED	NO
CONNECTION SIZE	G3/8
FAUCET HOLE SIZE	1-5/16"
FAUCETS HOLE	3 Holes
FAUCET TYPE	Basin Mixer
FLOW RATE (GPM)	1.2 GPM
HANDLE STYLE	Double lever
NUMBER OF HANDLES	2
INSTALLATION TYPE	Deck mounted
MATERIAL	Brass
FINISH	Chrome
SPOUT HEIGHT	3-1/8"
SPOUT SWIVEL	NO
SPOUT TYPE	Casting spout
CARTRIDGE TYPE	Ceramic
POP-IP INCLUDED	NO
MAX DECK THICKNESS	1-3/4" max



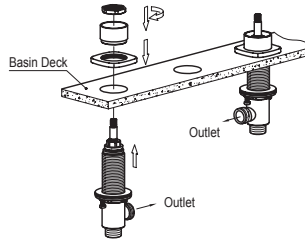


01



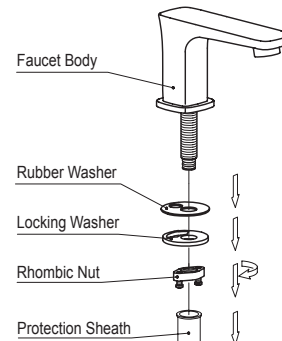
Unscrew the M5 screw. Remove the handle, screw, handle core, plastic space ring, clamp ring, handle escutcheon and sub-escutcheon from two inlet valves. And screw the locking nut to the bottom.

02



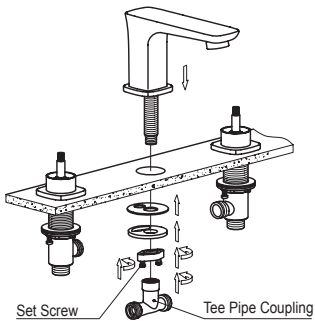
Place two inlet valves through the basin deck. Keep two outlets of valve body towards each other. Put on the sub-escutcheon and handle escutcheon. Fix them with clamp ring.

03



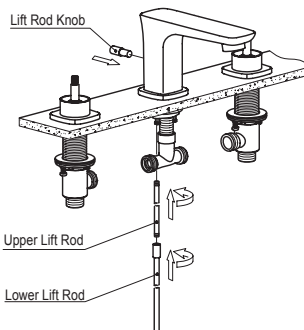
Remove the protection sheath, rhombic nut, locking washer and rubber washer from the faucet body.

04



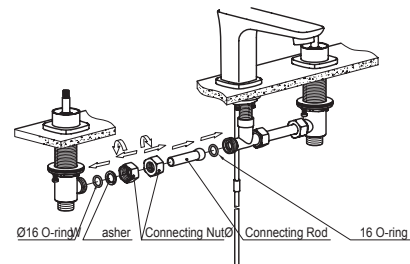
Place faucet body through the basin deck hole. Pad the rubber washer and locking washer. Tighten the rhombic nut with set screws. Then install the tee pipe coupling.

05



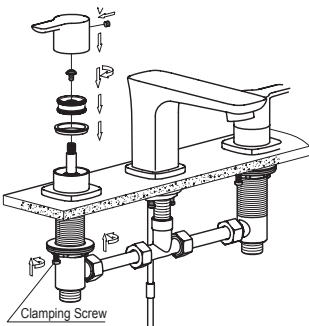
Connect the upper lift rod and lower lift rod. Put the lift rod knob into the slot in the back of faucet body to connect with the upper lift rod.

06



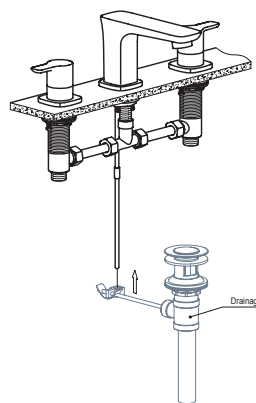
Connect two inlet valves and tee pipe coupling with connecting rod. Tighten the connecting nuts.

07



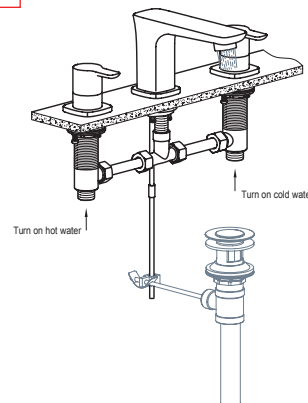
Tighten the locking nut and clamping screws in order. Then reinstall the plastic space ring, handle core, screw and handwheel in turn and fix with M5 screw. (Make sure that the handle printed sun mark is installed on the left and the handle with snow mark is installed on the right.)

08



Connect the lift rod and drainage.

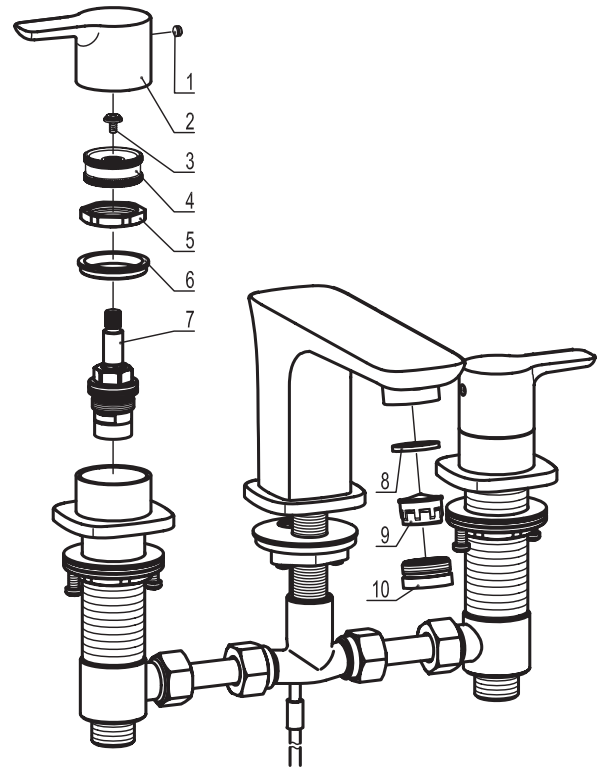
09



After installation, flow water for inspection. The figure is for the case when the handle is turned on.



DIAGRAM NUMBER	DAX SKU	TITLE DESCRIPTION
1	FH TJ-40504	M5x4 Hexagon socket cone point set screw
2	FH 661-01	Handle
3	FH T02A	M4 stop screw
4	FH 631-03E	Handle core
5	FH T-68	Lock hex nut
6	FH 661-02	Plastic washer
7	FH TB04/FH TB04A	B04/B04A head valve
8	FH 2123-28	Spout washer
9	FH TQ-07G	M24 Aerator
10	FH TQ41-02	Spout inner collar



For parts or sale requirements please contact our customer service department:

 CS@daxib.com

 1 888 685 8236