



DAX-8240-BN

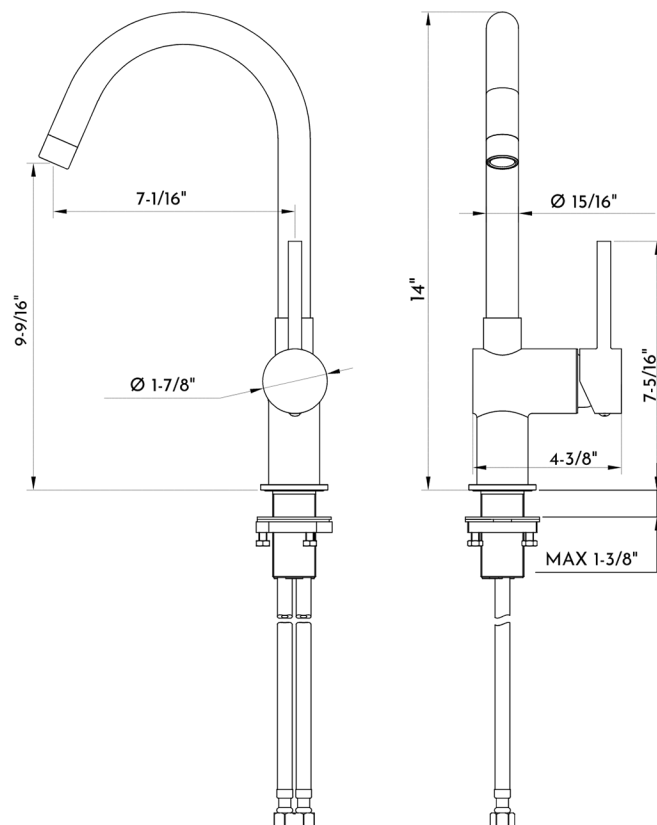


KITCHEN FAUCETS SERIES



## FEATURES

- Single Handle
- Ceramic Cartridge
- Brushed Stainless Steel Finish
- Flow rate: 2.0 GPM
- Installation Hole 1-3/8"
- cUPC - NSF61-9 - AB1953 Approved
- Water lines and Mounting Parts Included
- Brass Body Casting





KITCHEN FAUCET **DAX-8240-BN**

MODEL	DAX-8240-BN
MATERIAL	Brass
FINISH	Brushed Nickel
HEIGHT	7-5/16"
SPOUT HEIGHT	9-9/16"
SPOUT REACH	-
FLOW RATE	2.0 GPM
HOT COLD INDICATORS	Yes
DECK PLATE INCLUDED	No
COMPATIBLE VALVE TYPE	Ceramic Cartridge
HANDLE STYLE	Single Lever
NUMBER OF HANDLES	One
HOSE LENGHT	27-9/16"
FAUCET HOLES	One
FAUCET HOLE SIZE	1-3/8"
INSTALATION TYPE	Deck Mounted
SPOUT SWIVEL	Yes
MAX DECK THICKNESS	1-3/8"

For parts or sale requirements  
please contact our customer service department:



CS@daxib.com

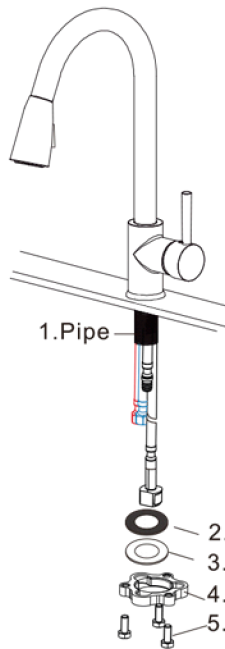
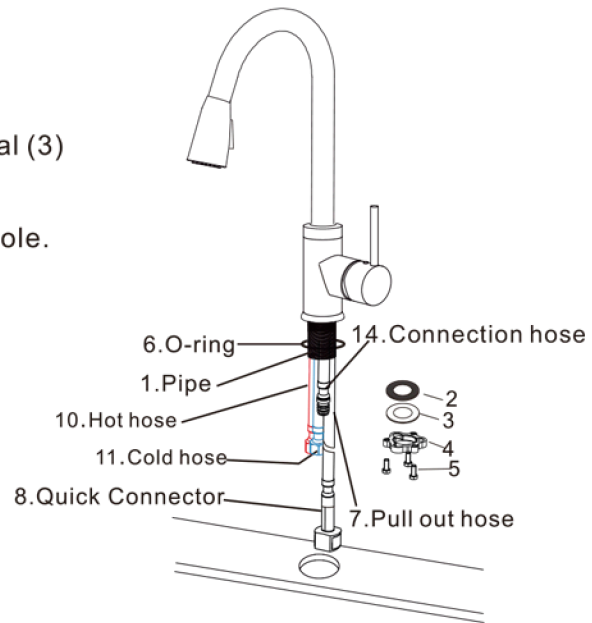


1 888 685 8236



- I. Remove the Rubber washer (2), Metal (3) and lock nut (4) from the faucet.

And then put the faucet into center hole.



- II. Screw rubber washer(2), metal washer(3) and lock nut(4) onto the pipe(1).

- III. Connect connection hose(14) with quick connector(8). Assemble weight and screws(9) on the pull out hose(7).

And then connect water supply (not included) on the hot hose(10) and cold hose (11).

