

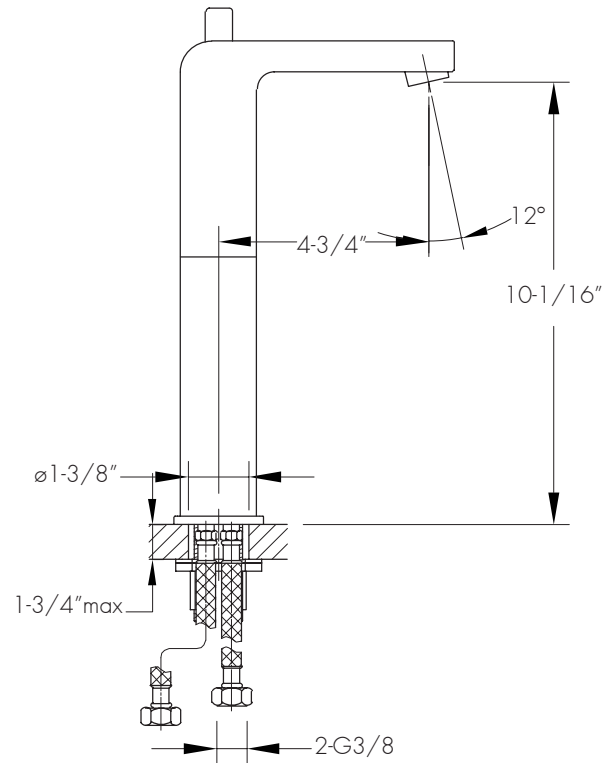


DAX-8227B



BATHROOM FAUCETS SERIES





FEATURES

- Single Lever
- Vessel installation
- Ceramic cartridge
- Brass body
- Flow rate 1.5 GPM
- Installation hole 1-3/8"
- Hoses and mounting parts included
- Pop up drain not included (available)
- Chrome finish

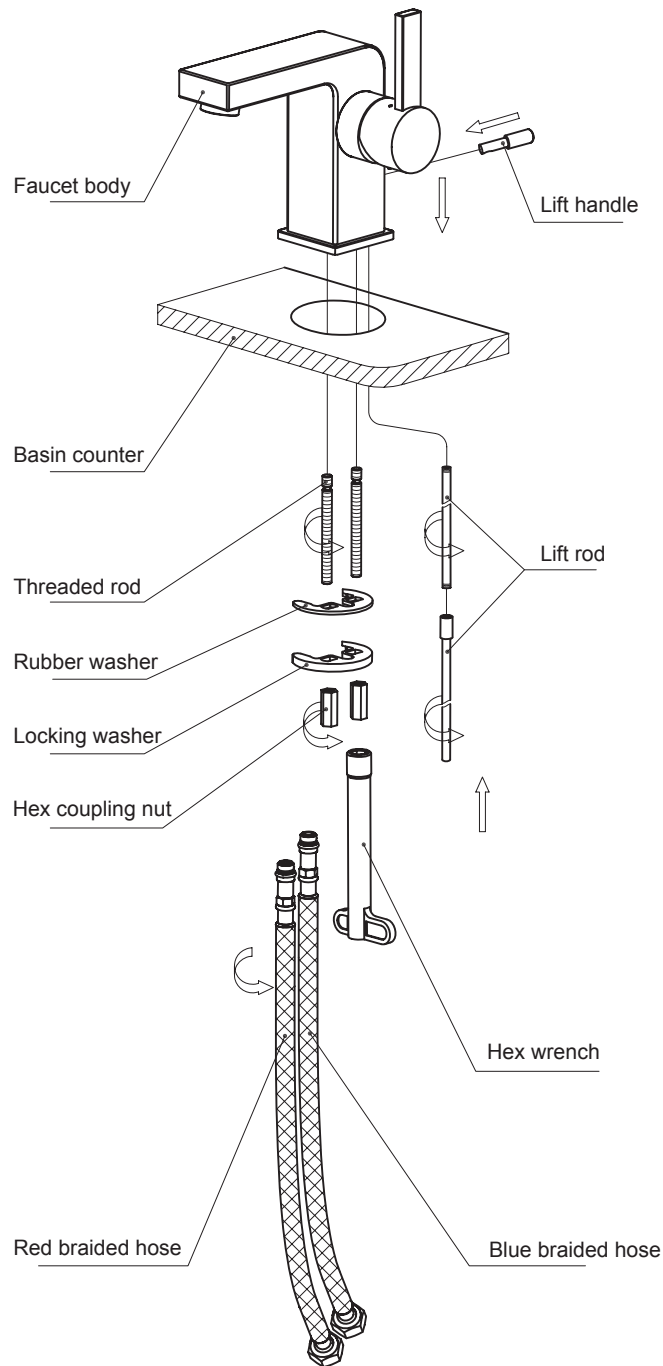




BATHROOM FAUCET **DAX-8227B**

MODEL	DAX-8227B
ADA	NO
UPC APPROVED	NO
ANSI APPROVED	NO
ASME APPROVED	NO
WATERSENSE CERTIFIED	NO
NSF APPROVED	NO
CONNECTION SIZE	G3/8
FAUCET HOLE SIZE	1-5/16"
FAUCETS HOLE	Single hole
FAUCET TYPE	Basin Mixer
FLOW RATE (GPM)	1.2 GPM at 60 PSI
HANDLE STYLE	Single lever
NUMBER OF HANDLES	1
INSTALLATION TYPE	Deck mounted
MATERIAL	Brass body + zinc handle
FINISH	Chrome
SPOUT SWIVEL	NO
SPOUT TYPE	Casting spout
CARTRIDGE TYPE	Ceramic Mixer
POP-IP INCLUDED	NO
MAX DECK THICKNESS	1-3/4" max



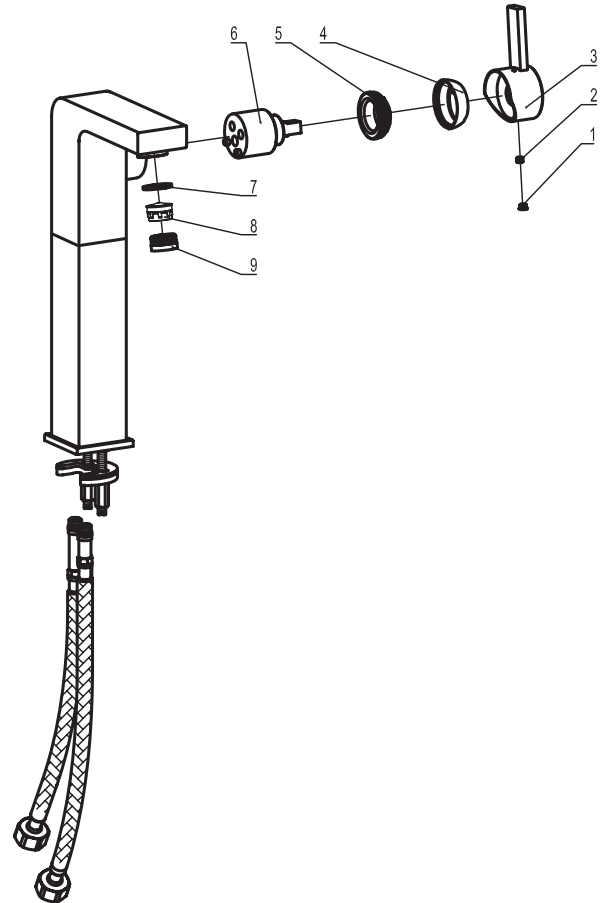


INSTALLATION STEPS

1. As shown in figure, connect braided hoses and threaded rod to faucet body tightly, slide lift handle into the slot at the back of faucet body, insert lift rod into the hole at the bottom of faucet body and firmly connect with lift handle.
2. Pass faucet body through hole of basin counter, pad rubber washer and locking washer in turn, tighten with hex coupling nut.
3. Install drainage set and connect with lift rod.
4. Connect braided hoses with triangle valves. Note: position as hot left and cold right.
5. Run water to check if the installation is qualified.



DIAGRAM NUMBER	DAX SKU	TITLE DESCRIPTION
1	FH D38A-02	Decoration cap
2	FH TJ-30504	Internal Hex flat end locking screw
3	FH D37-01C	Handle
4	FH DB-14	Decorative ring
5	FH DB-13	Locknut
6		Ø1-3/8" cartridge
7	FH 2123-28	Washer
8	FH TQ-07G	M24 aerator
9	FH TQ41-02	Spout inner collar



For parts or sale requirements please contact our customer service department:

 CS@daxib.com

 1 888 685 8236