

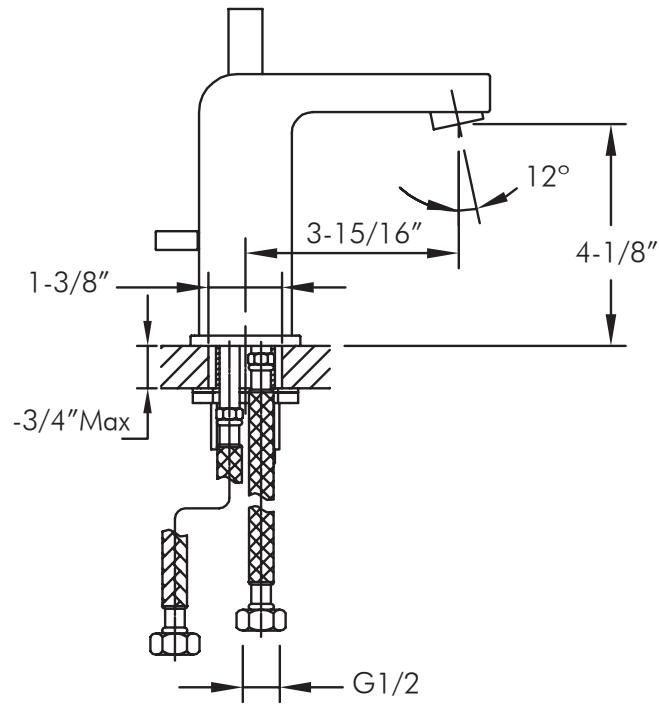


DAX-8227



BATHROOM FAUCETS SERIES





FEATURES

- Single Lever
- Ceramic cartridge
- Brass body
- Flow rate 1.5 GPM
- Installation hole 1-3/8"
- Chrome finish
- Hoses and mounting parts included
- Pop up drain not included (available)

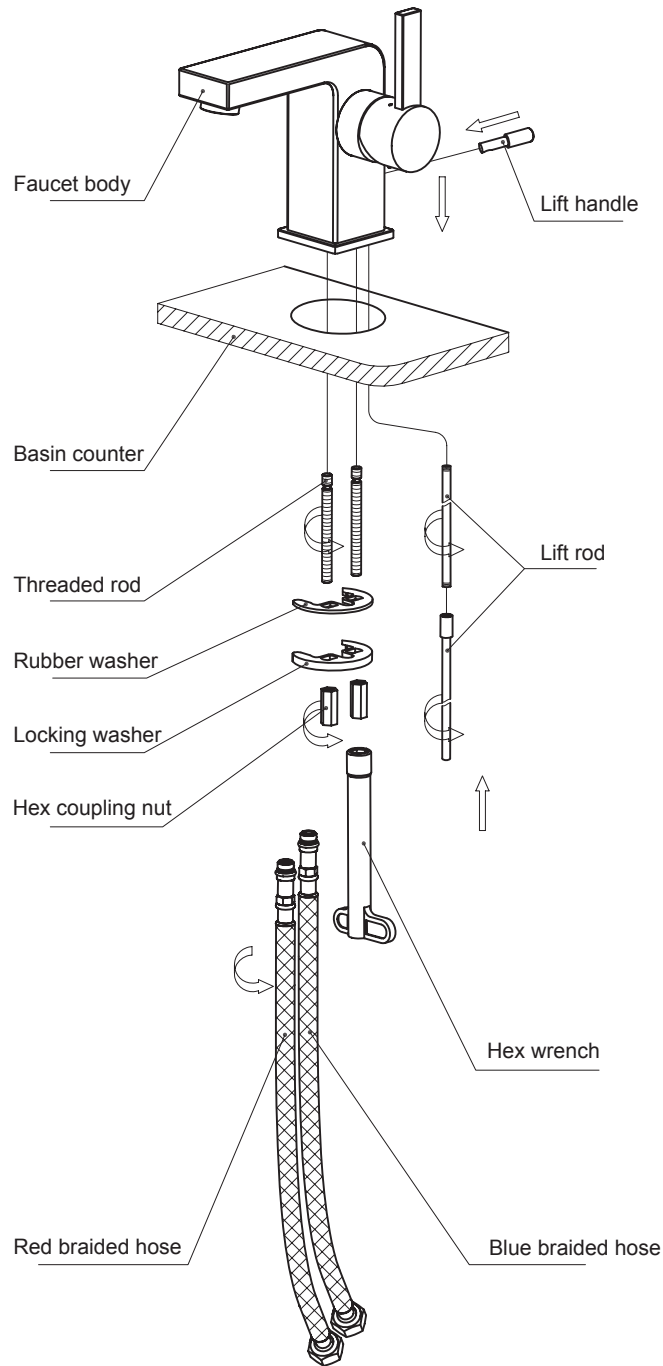




BATHROOM FAUCET **DAX-8227**

| MODEL | DAX-8227-CR |
|----------------------|--------------------------|
| ADA | NO |
| UPC APPROVED | NO |
| ANSI APPROVED | NO |
| ASME APPROVED | NO |
| WATERSENSE CERTIFIED | NO |
| NSF APPROVED | NO |
| CONNECTION SIZE | G3/8 |
| FAUCET HOLE SIZE | 1-5/16" |
| FAUCETS HOLE | Single hole |
| FAUCET TYPE | Basin Mixer |
| FLOW RATE (GPM) | 1.5 GPM |
| HANDLE STYLE | Single lever |
| NUMBER OF HANDLES | 1 |
| INSTALLATION TYPE | Deck mounted |
| MATERIAL | Brass body + zinc handle |
| FINISH | Chrome |
| SPOUT SWIVEL | NO |
| SPOUT TYPE | Casting spout |
| CARTRIDGE TYPE | Ceramic Mixer |
| POP-IP INCLUDED | NO |
| MAX DECK THICKNESS | 1-3/4" max |



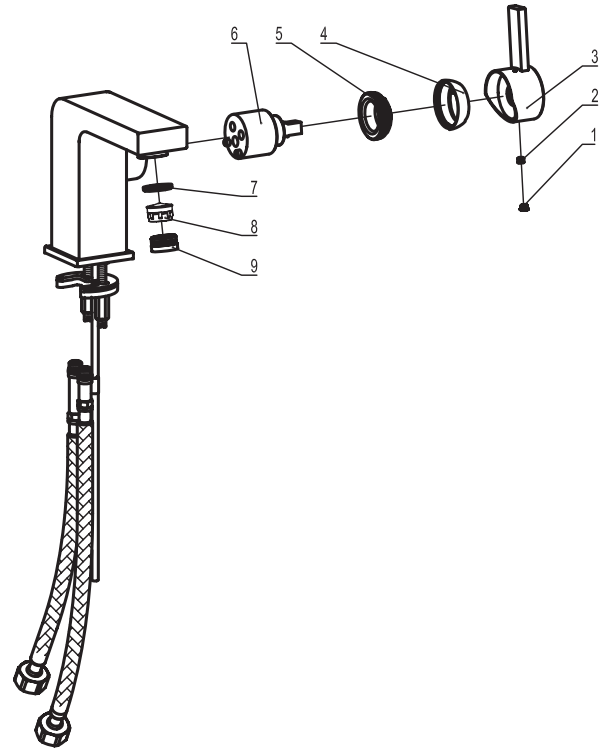


INSTALLATION STEPS

1. As shown in figure, connect braided hoses and threaded rod to faucet body tightly (**Note: Position as red braided hose on the left and blue braided hose on the right**), slide lift handle into the slot at the back of faucet body, insert lift rod into the hole at the bottom of faucet body and firmly connect with lift handle.
2. Pass faucet body through hole of basin counter, pad rubber washer and locking washer in turn, tighten with hex coupling nut.
3. Install drainage set and connect with lift rod.
4. Connect braided hoses with triangle valves. Note: Position as hot left and cold right.
5. Run water to check if the installation is qualified.



| DIAGRAM NUMBER | DAX SKU | TITLE DESCRIPTION |
|----------------|-------------|-------------------------------------|
| 1 | FH D38A-02 | Decoration cap |
| 2 | FH TJ-30504 | Internal Hex flat end locking screw |
| 3 | FH D37-01C | Handle |
| 4 | FH DB-14 | Decorative ring |
| 5 | FH DB-13 | Locknut |
| 6 | | Ø 1-3/8" cartridge |
| 7 | FH 2123-28 | Washer |
| 8 | FH TQ-07G | M24 aerator |
| 9 | FH TQ41-02 | Spout inner collar |



For parts or sale requirements please contact our customer service department:

 CS@daxib.com

 1 888 685 8236