

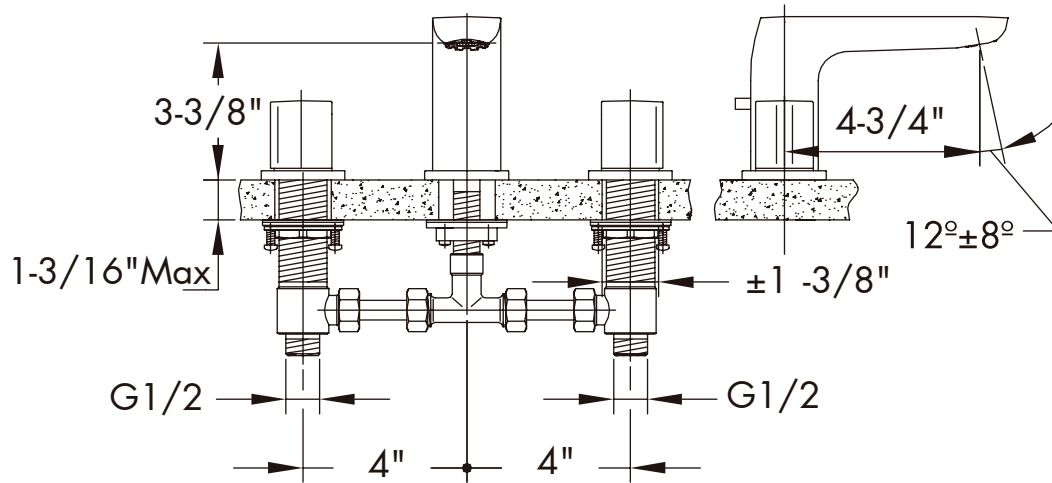


DAX-8216C



BATHROOM FAUCETS **SERIES**





FEATURES

- Two Handles
- Ceramic cartridge
- Brass body
- Flow rate 1.2 GPM
- Installation hole 1-3/8"
- Chrome finish
- Hoses and mounting parts included
- Pop up drain not included (available)



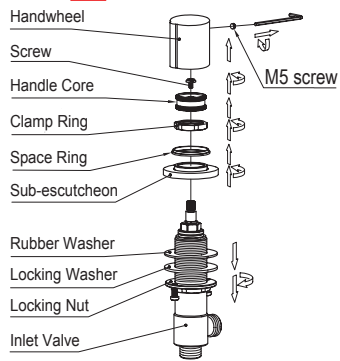


BATHROOM FAUCET **DAX-8216C**

MODEL	DAX-8216C
ADA	NO
UPC APPROVED	NO
ANSI APPROVED	NO
ASME APPROVED	NO
WATERSENSE CERTIFIED	NO
NSF APPROVED	NO
CONNECTION SIZE	G3/8
FAUCET HOLE SIZE	1-3-8"
FAUCETS HOLE	3 Holes
FAUCET TYPE	Basin Mixer
FLOW RATE (GPM)	1.2 GPM
HANDLE STYLE	Double lever
NUMBER OF HANDLES	2
INSTALLATION TYPE	Deck mounted
MATERIAL	Brass
FINISH	Chrome
SPOUT HEIGHT	3-3/8"
SPOUT SWIVEL	NO
SPOUT TYPE	Casting spout
CARTRIDGE TYPE	Ceramic
POP-IP INCLUDED	NO
MAX DECK THICKNESS	1-3/4" max

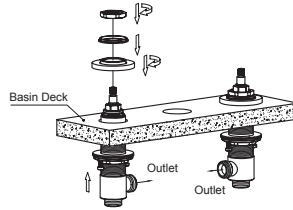


01



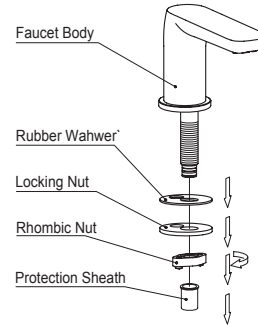
Unscrew the M5 screw. Remove the handwheel, screw, handle core, clamping ring, space ring and sub-escutcheon from two inlet valves. And screw the locking nut to the bottom.

02



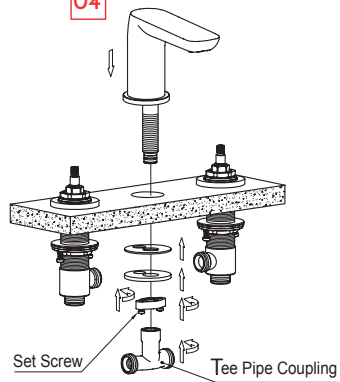
Place two inlet valves through the basin deck. Keep two outlets of valve body towards each other. Screw on the sub-escutcheon. Put on the space ring and clamping ring, fix them.

03



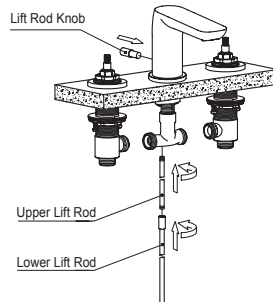
Remove the protection sheath, rhombic nut, locking nut and rubber washer from the faucet body.

04



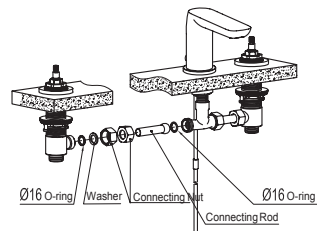
Remove the Place faucet body through the basin deck. Pad the rubber washer and locking washer. Tighten the rhombic nut with set screws. Then install the tee pipe coupling, protection sheath, rhombic nut, locking nut and rubber washer from the faucet body.

05



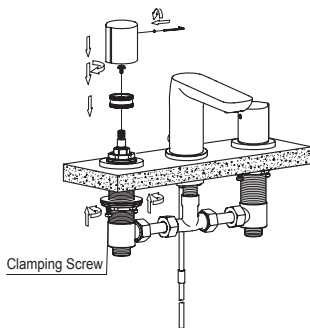
Connect the upper lift rod and the lower lift rod. Put the lift rod knob into the slot on the back of faucet body to connect with the upper lift rod.

06



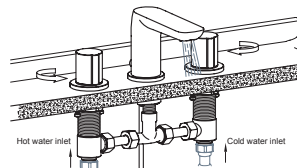
Connect two inlet valves and tee pipe coupling with connecting rod. Tighten the connecting nuts.

07



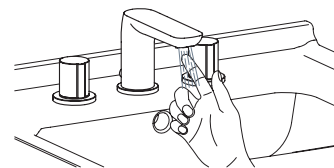
Tighten the locking nut and clamping screws in order. Then reinstall the handle core, screw and handwheel in turn and fix with M5 screw. Connect the lift rod with drainage.

08



After installation, run water for inspection. The figure is for the case when the handle is turned on.

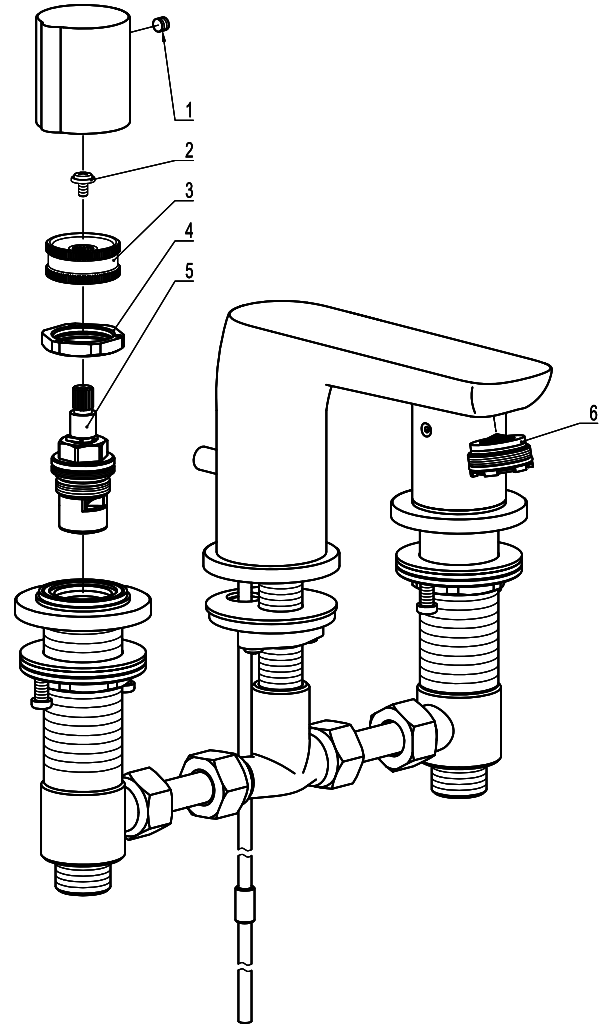
09



Rotate the aerator to adjust the water way according to your needs, the maximum is $\pm 8^\circ$.



DIAGRAM NUMBER	DAX SKU	TITLE DESCRIPTION
1	FH TJ-40504	M5x4 hexagon socket cone point set screw
2	FH T-02A	Stop screw
3	FH 631-03E	Handle core
4	FH T-68	Lock hex nut
5	FH TB02/FH TB02A	Head valve
6	FH TQ-11	Aerator



For parts or sale requirements please contact our customer service department:

 CS@daxib.com

 1 888 685 8236