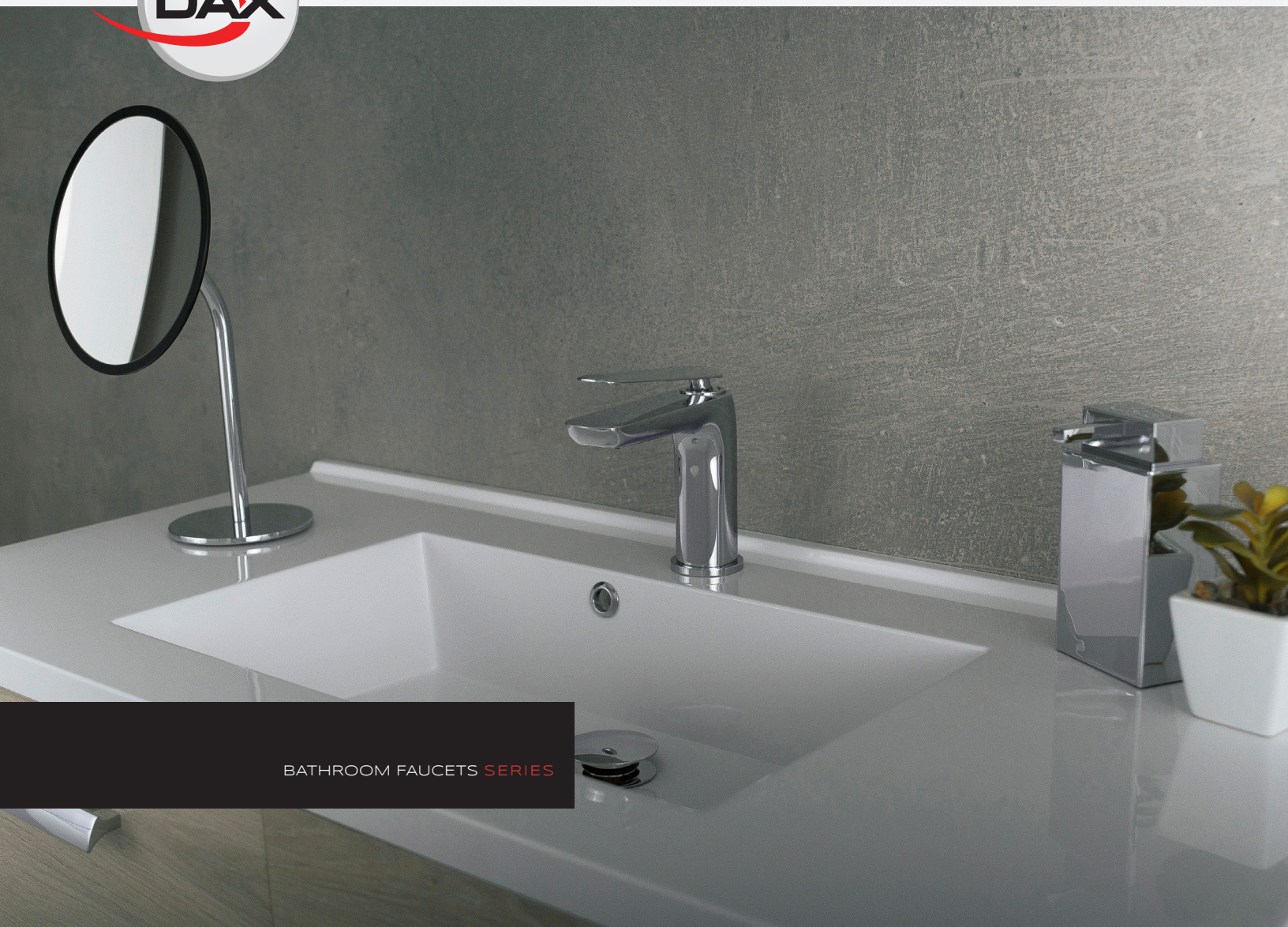


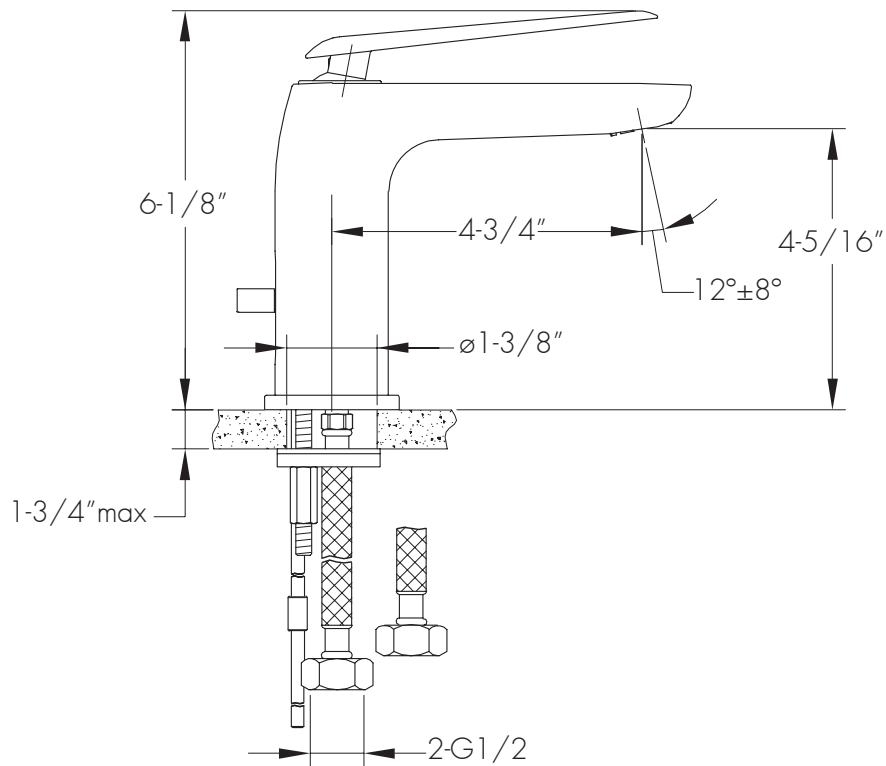


DAX-8206



BATHROOM FAUCETS SERIES





FEATURES

- Single lever
- Ceramic cartridge
- Brass body
- Flow rate 1.2 GPM
- Installation hole 1-3/8"
- Hoses and mounting parts included
- Pop up drain not included (available)
- Chrome finish





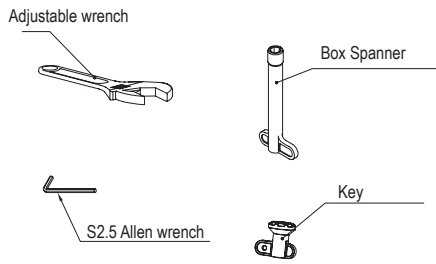
BATHROOM FAUCET **DAX-8206**

MODEL	DAX-8206-CR
ADA	NO
UPC APPROVED	NO
ANSI APPROVED	NO
ASME APPROVED	NO
WATERSENSE CERTIFIED	NO
NSF APPROVED	NO
CONNECTION SIZE	G3/8
FAUCET HOLE SIZE	1-5/16"
FAUCETS HOLE	Single hole
FAUCET TYPE	Basin Mixer
FLOW RATE (GPM)	1.2 GPM at 60 PSI
HANDLE STYLE	Single lever
NUMBER OF HANDLES	1
INSTALLATION TYPE	DECK MOUNTED
MATERIAL	Brass body + zinc handle
FINISH	Chrome
SPOUT SWIVEL	NO
SPOUT TYPE	Casting spout
CARTRIDGE TYPE	Ceramic Mixer
POP-IP INCLUDED	NO
MAX DECK THICKNESS	1-3/8"



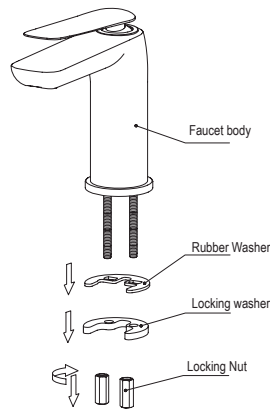


01



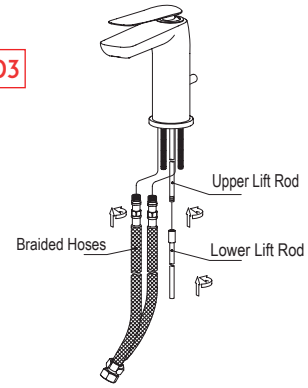
Prepare and check the following tools.

02



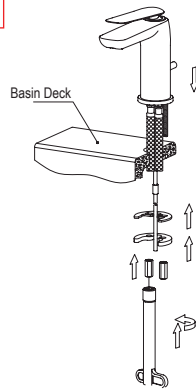
Remove the locking nut, locking washer and rubber washer from the faucet body.

03



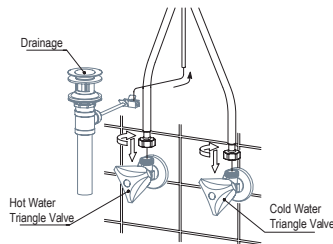
Put the upper lift rod into the slot on the back of faucet body to connect with the lower lift rod. Screw the braided hoses. Attention to the red on the left and the blue on the right.

04



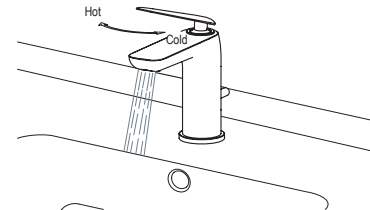
Place the faucet body over the basin deck. Put on the rubber washer and locking washer, and fix with locking nuts.

05



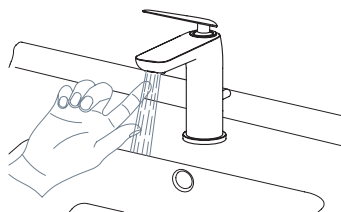
Connect the braided hoses with triangle valves (red on the left and blue on the right). Connect the lift rod with drainage.

06



After installation, run water for inspection. The figure is for the case when the handle is turned on.

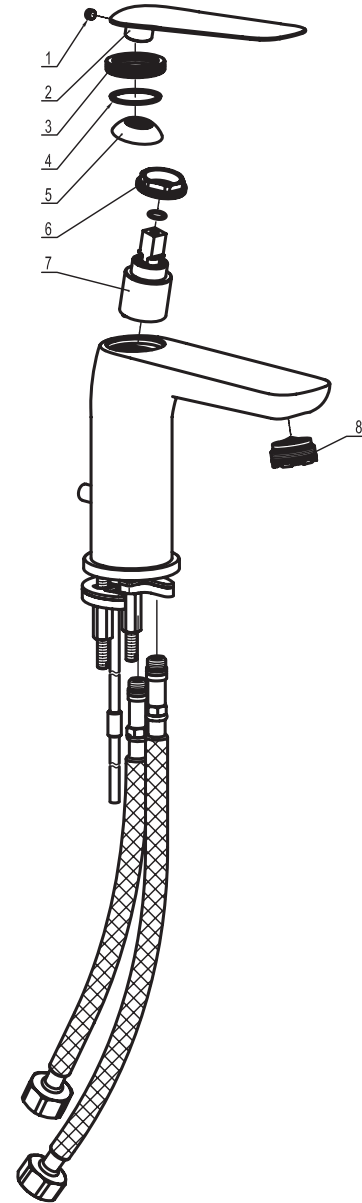
07



Place the faucet body over the basin deck. Put on the rubber washer and locking washer, and fix with locking nuts.



DIAGRAM NUMBER	DAX SKU	TITLE DESCRIPTION
1	FH TJ-30503	M5x3 Internal Hex flat end locking screw
2	FH D90-01	Handle
3	FH D90-03	Locknut
4	FH D90-04	Plastic ring
5	FH D90-02A	Decorative ring
6	FH DB-22	Locknut
7	FH KEROX-25	Ø25 cartridge
8	FH TQ-11	aerator



For parts or sale requirements please contact our customer service department:



CS@daxib.com



1 888 685 8236