



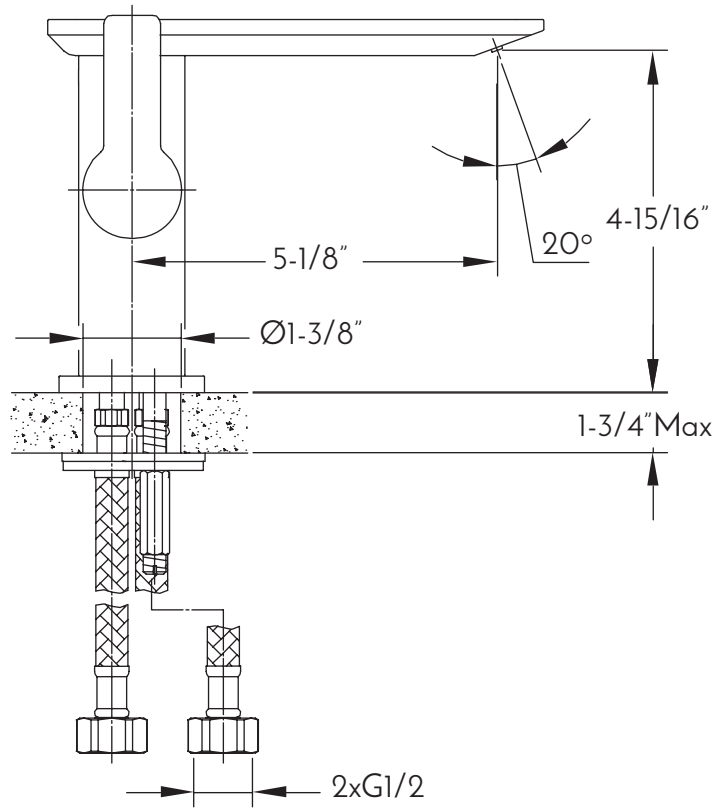
DAX-8205-CR



BATHROOM FAUCETS **SERIES**



www.daxib.com



FEATURES

- Single Lever
- Ceramic cartridge
- Brass body
- Installation hole 1-3/8"
- Hoses and mounting parts included
- Pop up drain not included (available)
- Chrome finish





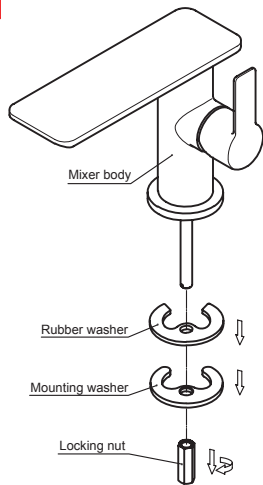
BATHROOM FAUCET DAX-8205-CR

MODEL	DAX-8205-CR
ADA	NO
UPC APPROVED	YES
ANSI APPROVED	NO
ASME APPROVED	YES
WATERSENSE CERTIFIED	NO
NSF APPROVED	NO
CONNECTION SIZE	3/8"
FAUCET HOLE SIZE	1 3/8"
FAUCETS HOLE	1
FLOW RATE (GPM)	1
HANDLE STYLE	Single Handle
NUMBER OF HANDLES	1
HOSE LENGTH	15-3/4"
INSTALLATION TYPE	OVER COUNTER
MATERIAL	Brass
FINISH	Chrome
SIDESPRAY	N/A
SPOUT HEIGHT	4-15/16"
SPOUT REACH	5-1/8"
SPOUT SWIVEL	NO
CARTRIDGE TYPE	Ceramic
POP-IP INCLUDED	NO
MAX DECK THICKNESS	1-3/4" MAX



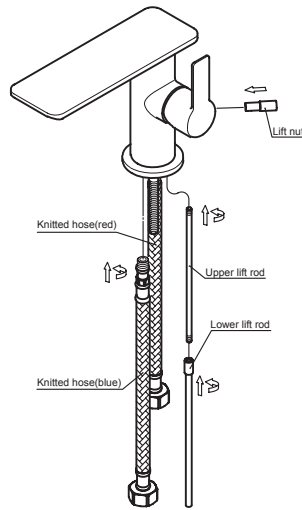


01



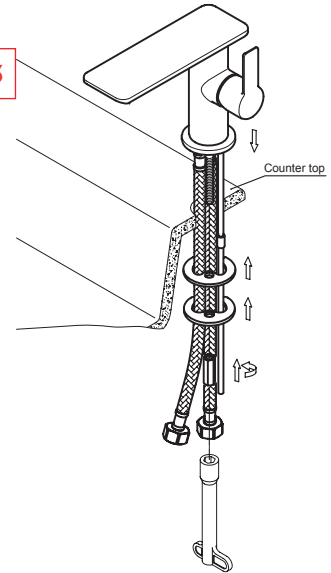
Disassemble the locking nut, mounting washer and rubber washer from the mixer body in turn.

02



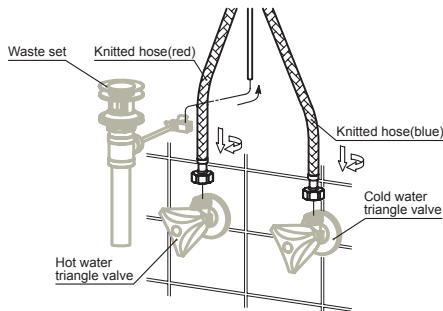
Connect the upper lift rod with the lower lift rod. Insert the lift nut into the slot on the back of the mixer body and connect it with the upper lift rod. Screw the knitted hose with red(hot) in front and blue(cold) in back.

03



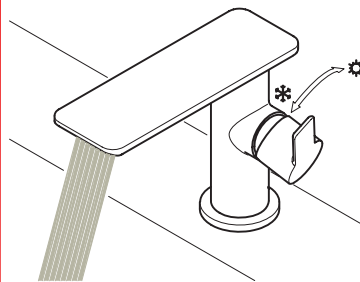
Pass the mixer body through the counter top, install the rubber washer and the mounting washer. Tighten them with the locking nut.

04



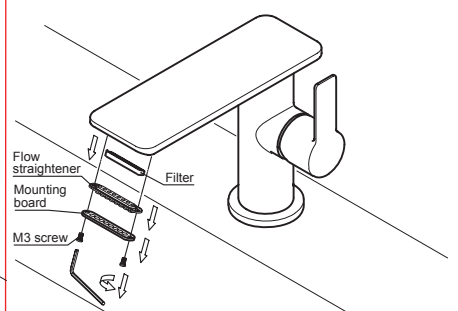
Connect the two knitted hoses to the two triangle valves (Red for hot water and blue for cold water). Connect the lower lift rod to the waste set.

05



Run the water to check if the product is well installed.

06



If the flow rate gradually decreases after sometime, it usually results from poor water quality leading to blockage of the filter. Please clean the filter as shown in figure above: Turn off the handle, unscrew the M3 screw with the S2 spanner, take off the mounting board, the flow straightener and the filter in turn, wash the filter and then install them back.

For parts or sale requirements please contact our customer service department:

CS@daxib.com

1 888 685 8236

