



DAX-82019-BG

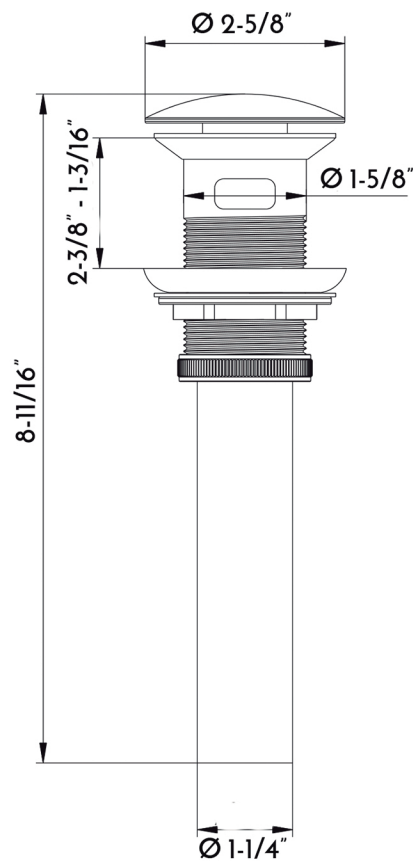


POP UP DRAINS SERIES



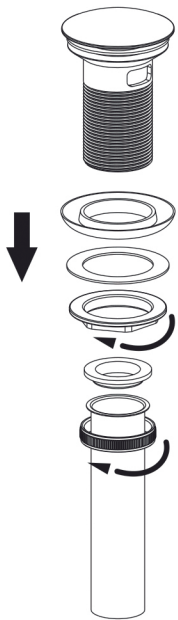
FEATURES

- With Overflow
- Brushed Gold finish



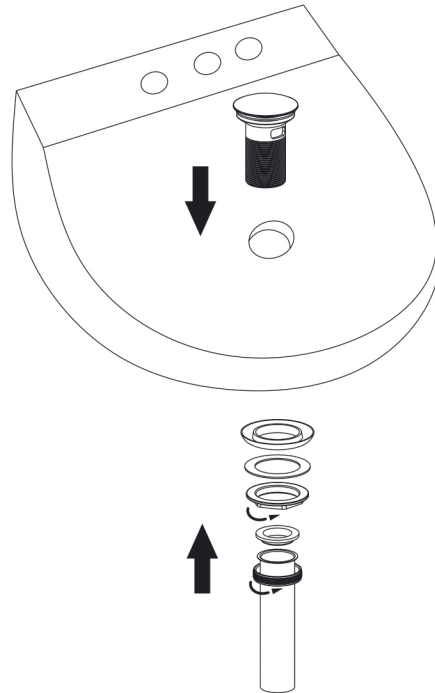


1



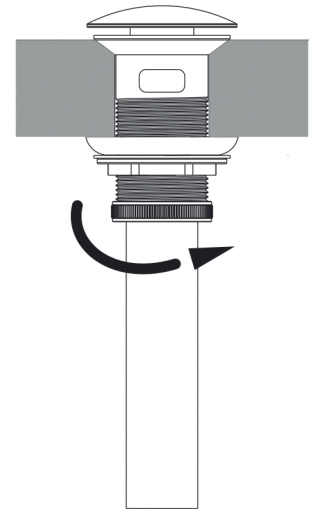
Unscrew the rubber ring and fixing nut from the pop-up drain.

2



Install the pop-up drain into the sink hole.

3



Install the rubber ring and fixing nut from the bottom of the sink to the pop-up drain and screw the fixing nut.

For parts or sale requirements please contact our customer service department:



CS@daxib.com



1 888 685 8236