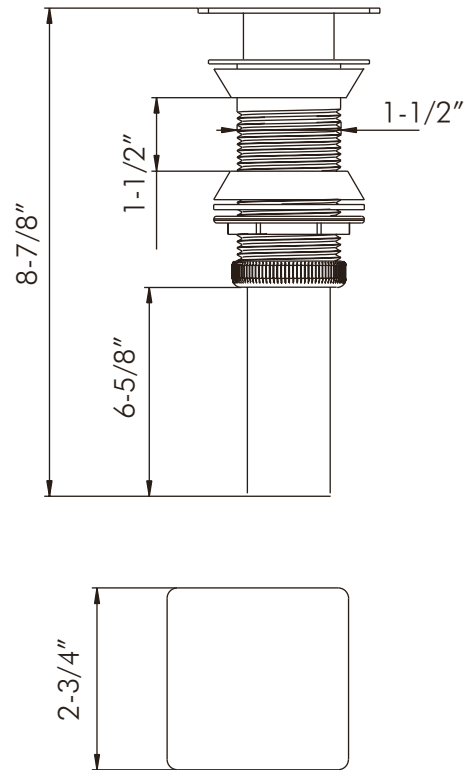




DAX-82012-CR



POP UP DRAINS **SERIES**



## FEATURES

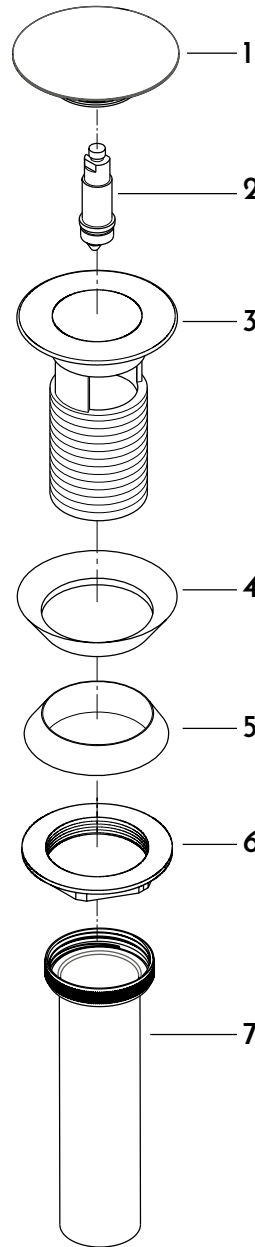
---

- Brass body
- Mounting parts included
- Without overflow
- Chrome finish



POP UP DRAIN **DAX-82012-CR**

MODEL	DAX-82012-CR
MATERIAL	Brass
PRODUCT WEIGHT	0.80lbs
FINISH	Chrome
ITEMS INCLUDED	Pop Up
INSTALLATION TYPE	Screw



**INSTALLATION:**

1. Remove drain body (3) from tailpiece (7) then remove rubber washer (4), rubber gasket (5), and metal nut (6) from drain body.
2. Insert drain body (3) and rubber washer (4) through the drain opening at the top of the sink.
3. Insert rubber gasket (5) onto the drain body and then tighten the metal nut (6) on the drain body to push rubber gasket (5) up against the bottom of drain opening. Tighten the nut with slip-joint pliers.
4. Apply teflon tape on both tailpiece thread connection and drain body.
5. Turn handles on faucet to the full on position and inspect to insure that there is no leaking underneath lavatory.

TOOLS MAY NEED:



For parts or sale requirements please contact our customer service department:

 [CS@daxib.com](mailto:CS@daxib.com)

 1 888 685 8236