

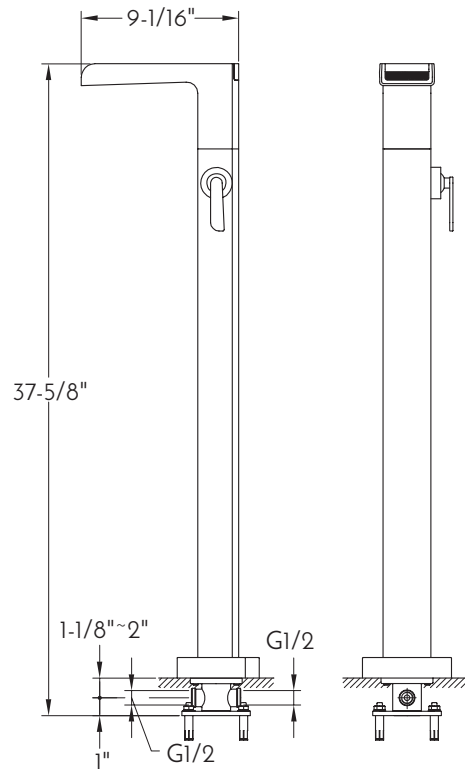


DAX-8185A



BATHTUB FILLERS **SERIES**





## FEATURES

- Floor mount
- Brass body
- Chrome finish
- Anti-scalding protection
- Ceramic cartridge
- Mounting parts and water lines included



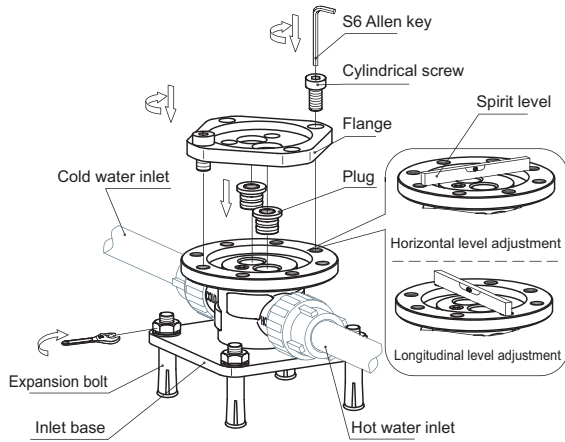


BATHTUB FILLER **DAX-8185A**

MODEL	DAX-8185A
ADA	NO
UPC APPROVED	NO
ANSI APPROVED	NO
ASME APPROVED	NO
WATERSENSE CERTIFIED	NO
NSF APPROVED	NO
ANTI-SCALDING PROTECTION	YES
NUMBER OF HANDLES	1
HEIGHT	37-5/8"
INSTALLATION TYPE	Floor Mount
MATERIAL	Brass
FINISH	Chrome
SPOUT REACH	9-1/16"
CARTRIDGE TYPE	Ceramic

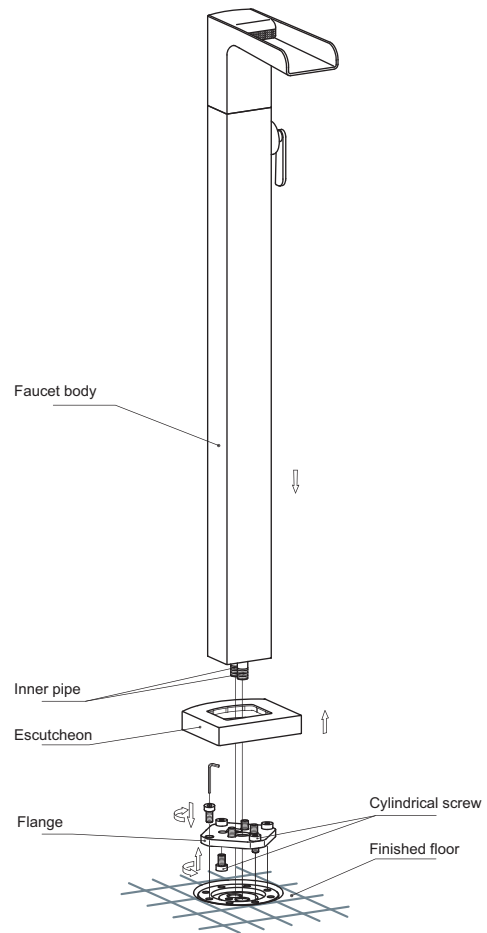


01



\* The installation diagram is only for reference, the product is subject to the real object.

02



\* The installation diagram is only for reference, the product is subject to the real object.

03

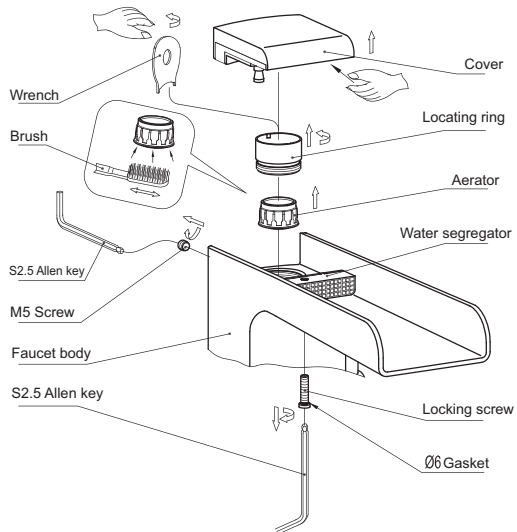
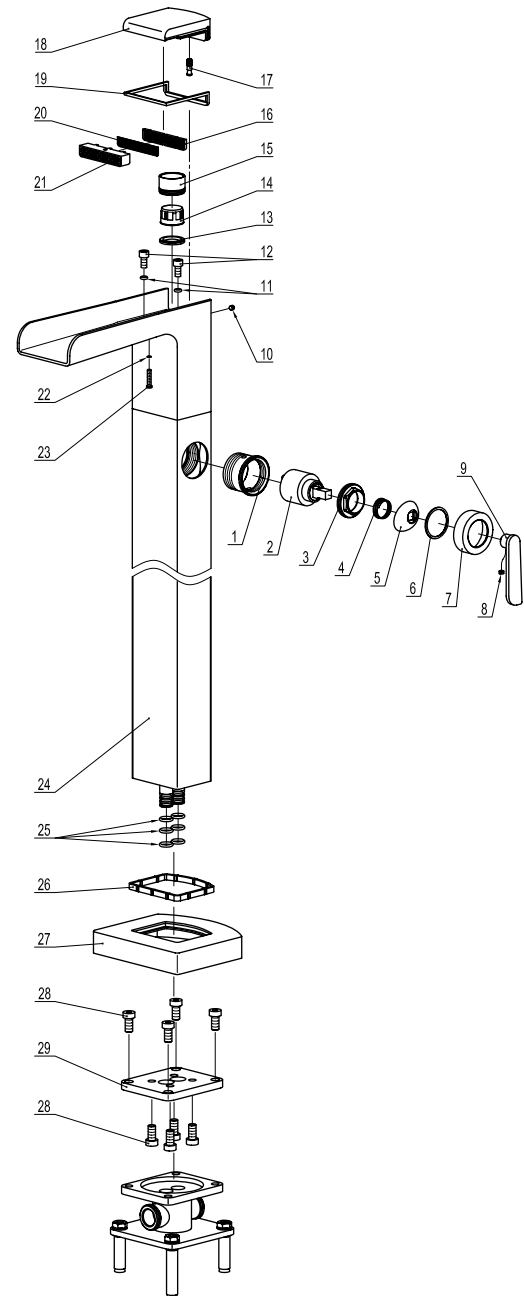




DIAGRAM NUMBER	DAX SKU	TITLE DESCRIPTION
1	FH8185-11	Cartridge sleeve
2		Ø35 cartridge
3	FHDB-07	Locknut
4	FHD25-05	Sping
5	FHD25-04A	Cartridge decorative ring
6	FHD25-03	Plastic ring
7	FHD67-02	Locknut
8	FHTJ-50503	M5X3 Cross recessed flat end locking screw
9	FHD67-01A	Handle
10	FHTJ-30504	M5 x 4 Internal Hex flat end locking screw
11	MF0819	Ø4.2x1.9 "O" ring
12	FHTL-10610	M6x10 hexagon socket cap head screw
13	FHTQ20-02	M28 spout washer
14	FHTQ-08C	M28 aerator
15	FHTQ21-01A	Spout outer collar
16	FH8185-18	Filter
17	FH9825-08A	M6 screw rod
18	FH185-03A	Seal cover
19	FH8185-04A	Washer
20	FH8185-19	Filter
21	FH8185-17	Water segregator
22	MF0610	Ø4X1"O" ring
23	FH8185-15	M4 screw
24		Faucet body
25	MF1424	Ø9.3X2.4"O" ring
26	FH8185-07	Locking washer
27	FH8185-06	Decorative ring
28	FHTL-10816	M38X16 Internal hex socket head cap screw
29	FH8185-08	Flange



For parts or sale requirements please contact our customer service department:

 [CS@daxib.com](mailto:CS@daxib.com)

 1 888 685 8236