

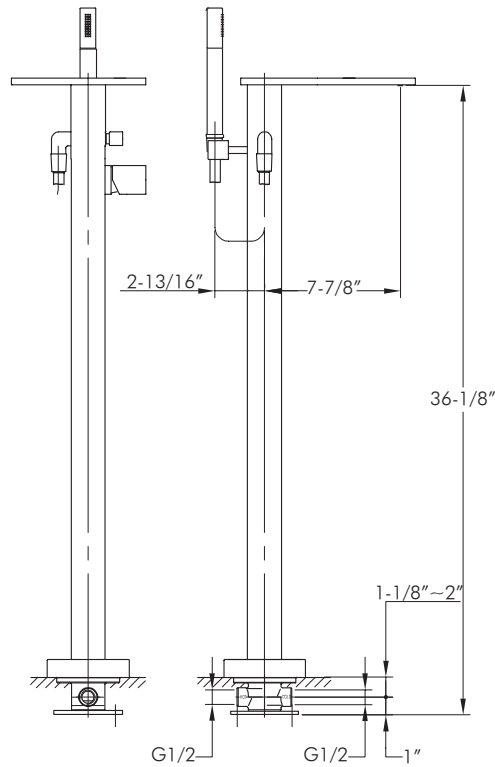


DAX-8180



BATHTUB FILLERS SERIES





FEATURES

- Floor mount
- Brass body
- Chrome finish
- Anti-scalding protection
- Ceramic cartridge
- Hand shower included
- Mounting parts and water lines included



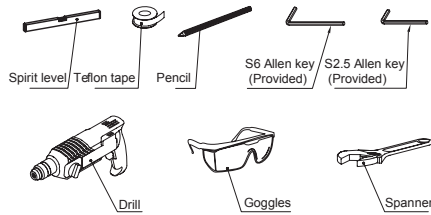


BATHTUB FILLER **DAX-8180**

MODEL	DAX-8180
ADA	NO
UPC APPROVED	NO
ANSI APPROVED	NO
ASME APPROVED	NO
WATERSENSE CERTIFIED	NO
NSF APPROVED	NO
FAUCET TYPE	Waterfall
ANTI-SCALDING PROTECTION	YES
NUMBER OF HANDLES	1
INSTALLATION TYPE	Floor Mounted
FINISH	Chrome
SPOUT HEIGHT	36-1/8"
SPOUT REACH	7-7/8"
CARTRIDGE TYPE	Ceramic

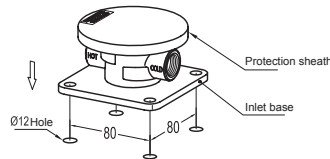


01



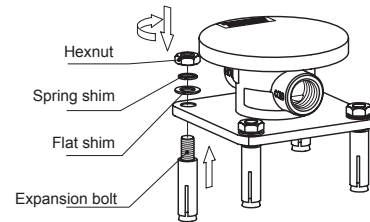
Prepare and check the following tools.

02



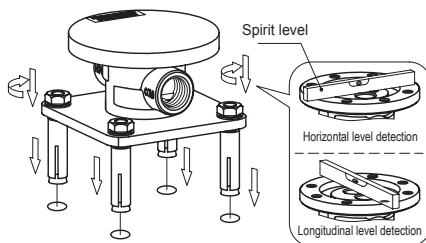
Take 4 mounting holes on inlet base (Note: ensure cold water inlet which printed with "COLD" mark faces to bathtub as benchmark to draw line and drill 4 Ø12 holes on the floor).

03



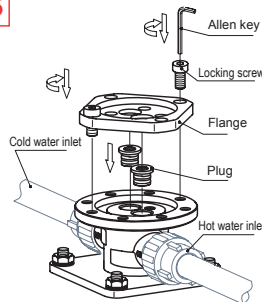
Install 4 expansion bolts to inlet base and slightly tighten with hexnut.

04



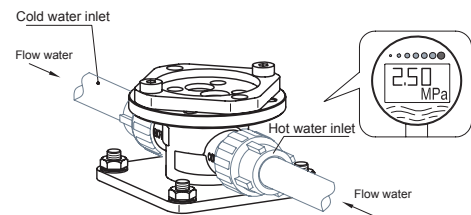
Insert expansion bolts into holes on the floor (Note: cold water inlet which printed with "COLD" mark on inlet base faces to the bathtub), adjust the top surface of inlet base to level position with spirit level and tighten with hexnut.

05



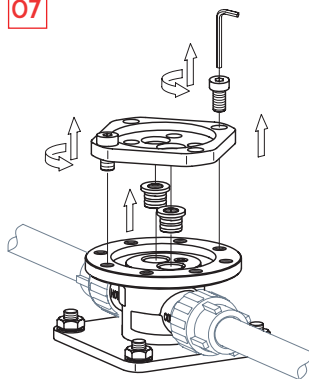
Connect inlet base with cold and hot water inlet pipe, cold water inlet faces to bathtub, hot water inlet back against bathtub (means front cold and back hot), wrap connectors with teflon tape. Note to flow water to get rid of dirt in pipes. Remove protection sheath, insert plug into outlet of inlet base and fix with flange.

06



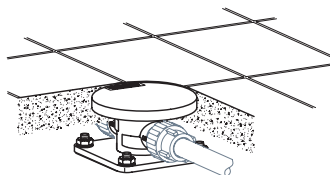
Flow water for pressure test, ensure each connection has no leakage occurs.

07



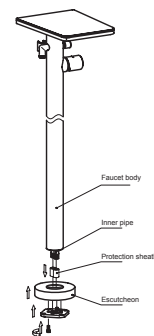
Unscrew locking screw, remove flange and plug.

08

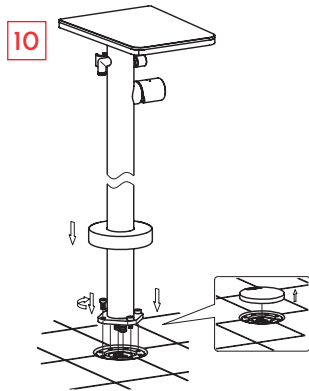


Put on protection sheath for paving floor tiles (Note: the height of tiles should be at the same level or a bit higher than the top surface of protection sheath).

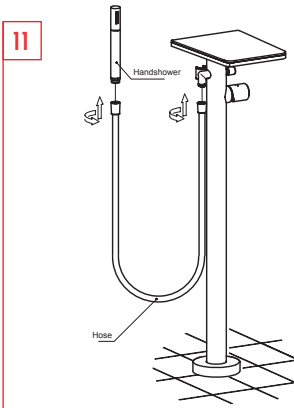
09



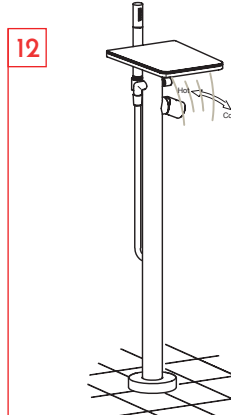
Take off protection sheath from inner pipe of faucet body, put on escutcheon carefully to avoid scratch to the surface of faucet body. Fix flange (the side with counter bore back against faucet body) with locking screw to faucet body firmly.



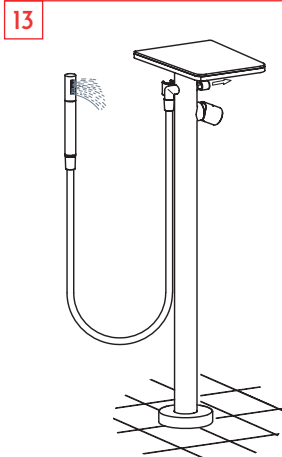
10 Take off protection sheath,insert inner pipe vertically into outlet of inlet base,connect flange and inlet base with locking screw,tighten with allen key.Close escutcheon to the floor.



11 Connect handshower and faucet body with hose.



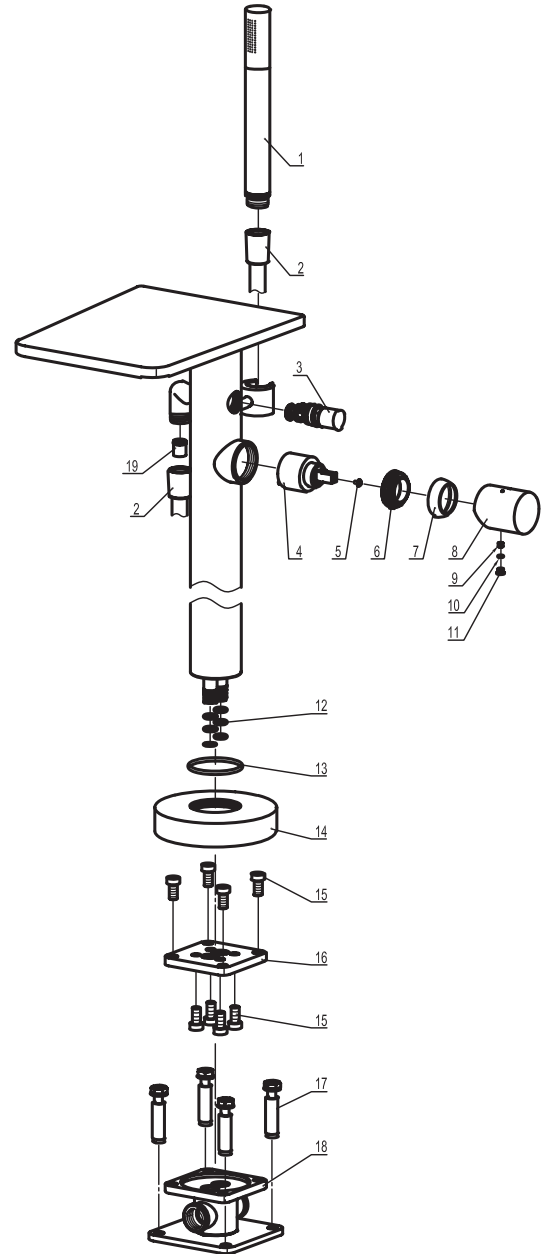
12 After installation,run water to check if the installation is qualified.The default state is when handle open, water runs from bathtub.



13 Pull diverter change water to handshower.



DIAGRAM NUMBER	DAX SKU	TITLE DESCRIPTION
1	FH 516	Handshower
2	FH 8861B	PVC flexible hose
3	FH TR06	Diverter
4	FH KEROX-35	Ø1-3/8" cartridge
5	FH T-02A	Stop screw
6	FH DB-13	Locknut
7	FH DB-14	Cartridge decorative ring
8	FH D87-01	Handle
9	FH TJ-30504	M5X4 Internal Hex flat end locking screw
10	MF 0615	Ø3x1.5" O" ring
11	FH D38A-02	Decorative cap
12	MF 1424	Ø 3/8 x 1/16 "O" ring
13	MF 5630	Ø2x1/8" O" ring
14	FH 8180-12	Decorative cover
15	FH TL-10816	M6X16 Internal hex socket head cap screw
16	FH 8180-13	Flange
17	FH TY-10850	Expansion screw
18	FH 8129-10B	Base
19	FH NZ14A-NP	Check valve



For parts or sale requirements please contact our customer service department:

 CS@daxib.com

 1 888 685 8236