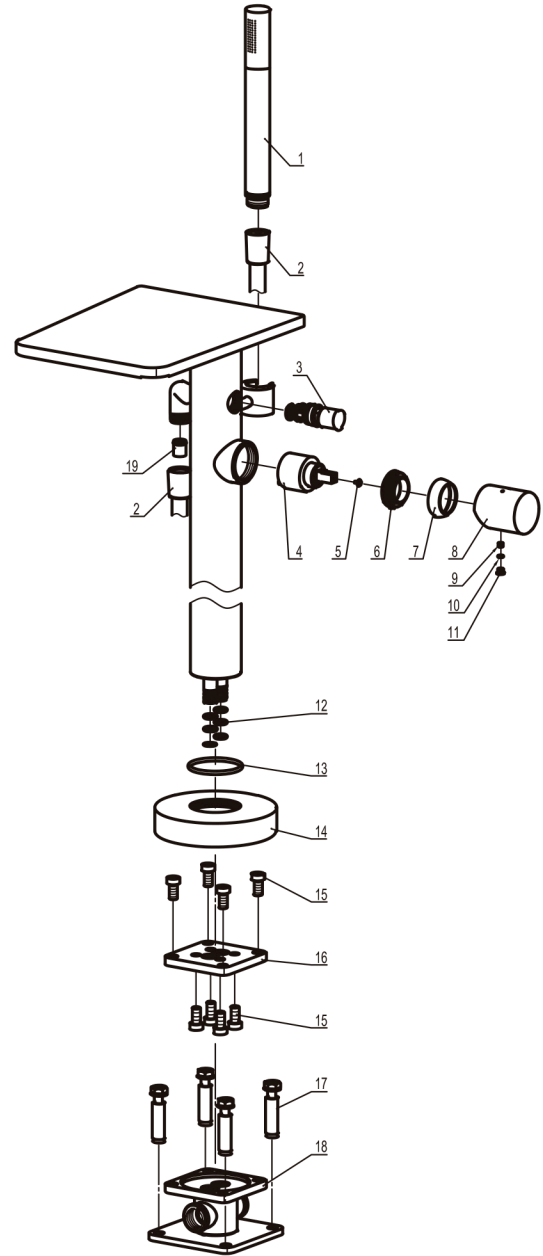




DIAGRAM NUMBER	DAX SKU	TITLE DESCRIPTION
1	FH 516	Handshower
2	FH 8861B	PVC flexible hose
3	FH TR06	Diverter
4	FH KEROX-35	Ø1-3/8" cartridge
5	FH T-02A	Stop screw
6	FH DB-13	Locknut
7	FH DB-14	Cartridge decorative ring
8	FH D87-01	Handle
9	FH TJ-30504	M5X4 Internal Hex flat end locking screw
10	MF 0615	Ø3x1.5" O" ring
11	FH D38A-02	Decorative cap
12	MF 1424	Ø 3/8 x 1/16 "O" ring
13	MF 5630	Ø2x1/8" O" ring
14	FH 8180-12	Decorative cover
15	FH TL-10816	M8X16 Internal hex socket head cap screw
16	FH 8180-13	Flange
17	FH TY-10850	Expansion screw
18	FH 8129-10B	Base
19	FH NZ14A-NP	Check valve



For parts or sale requirements please contact our customer service department:



CS@daxib.com



1 888 685 8236