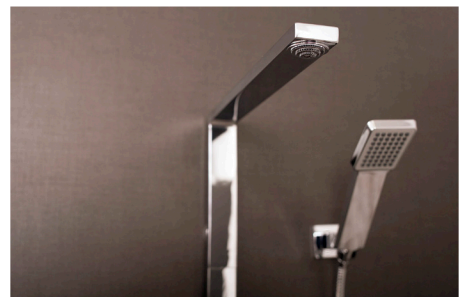
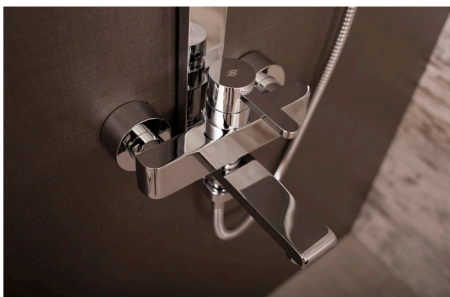
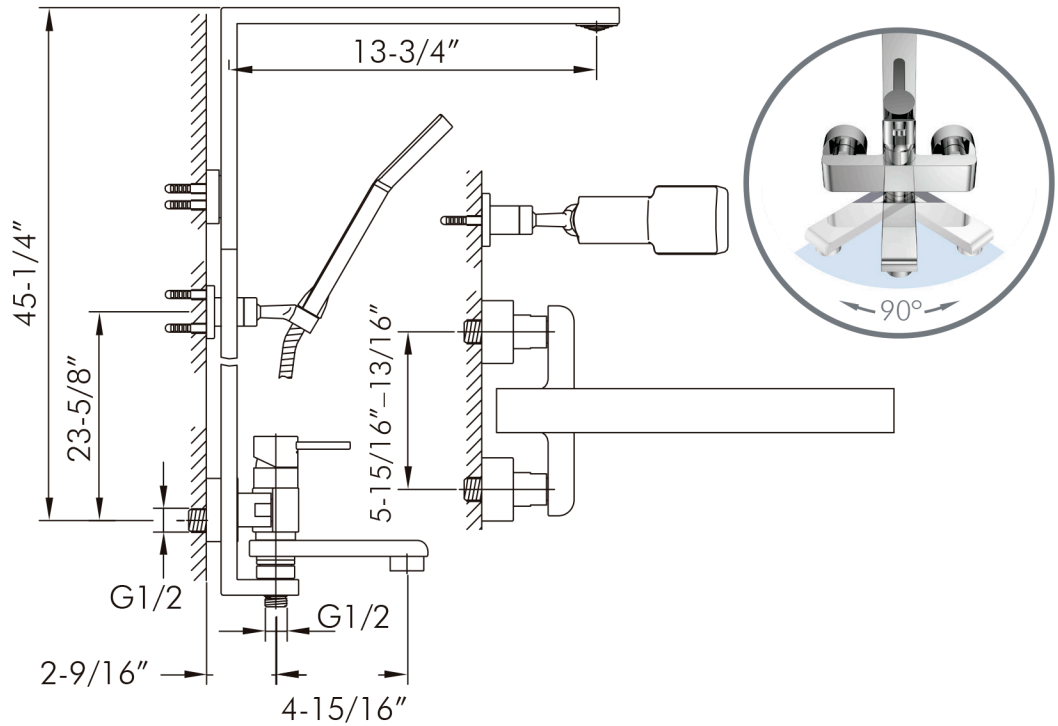




DAX-8166C-CR





## FEATURES

- Three function spout diverter
- Wall mount system
- Rainshower
- Tub filler
- Handshower included
- Ceramic cartridge
- Flow rate 2.0 GPM
- Anti-scalding protection
- Brass body
- Chrome finish







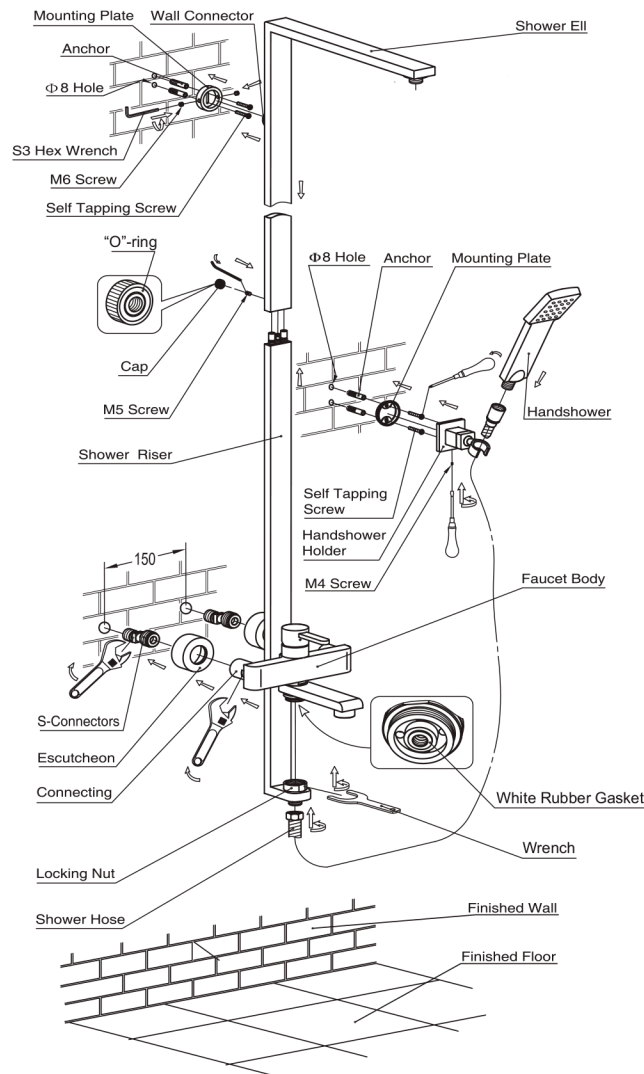
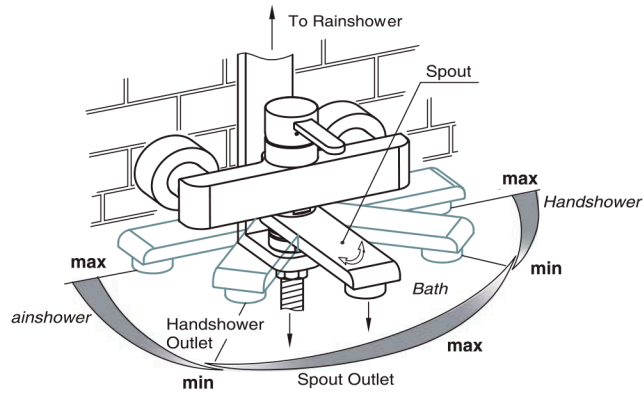
**SHOWER SYSTEM DAX-8166C-CR**

MODEL	DAX-8166C-CR
ADA	N/A
UPC APPROVED	NO
ANSI APPROVED	NO
ASME APPROVED	NO
HAND SHOWER FLOW RATE (GPM)	2.0 GPM at 80 PSI
SHOWER HEAD FLOW RATE (GPM)	2.0 GPM at 80 PSI
ROUGH-IN VALVE FLOW RATE (GPM)	2.0 GPM at 80 PSI
HANDLE MATERIAL	Brass
HANDLE STYLE	Single
HAND SHOWER INCLUDED	YES
HAND SHOWER HOSE INCLUDED	YES
HAND SHOWER HOSE LENGTH	59-1/16"
INSTALLATION TYPE	Wall mount
MATERIAL	Brass
PRESSURE BALANCE	NO
SCALD GUARD	N/A
SHOWER ARM REACH	13-3/4"
SHOWER HEAD HEIGHT	45-1/4"
SLIDE BAR INCLUDED	NO
SLIDE BAR DIMENSION	N/A
THERMOSTATIC	NO
ANTI-SCALDING	YES
VALVE INCLUDED	YES
VALVE TYPE	Cartridge
WATER EFFICIENT	YES
WATERSENSE CERTIFIED	NO
FINISH	Chrome





# INSTALLATION GUIDE DAX-8166C-CR



For parts or sale requirements please contact our customer service department:

 [CS@daxib.com](mailto:CS@daxib.com)

 1 888 685 8236