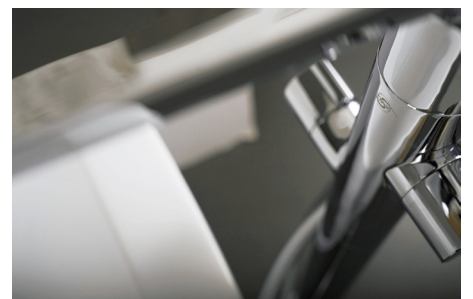


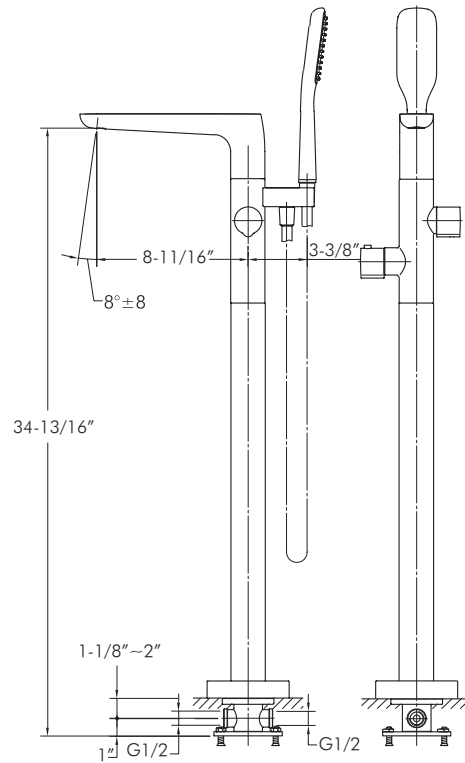


DAX-8153



BATHTUB FILLERS SERIES





FEATURES

- Floor mount
- Brass body
- Chrome finish
- Thermostatic valve
- Anti-scalding protection
- Ceramic cartridge
- Flow rate 2.0 GPM
- Hand shower included
- Mounting parts and water lines included



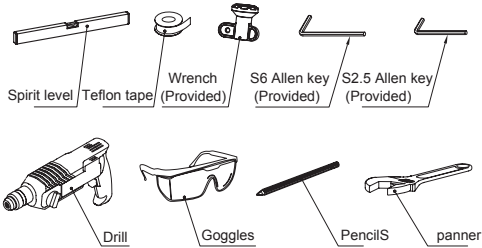


BATHTUB FILLER **DAX-8153**

MODEL	DAX-8153
ADA	No
UPC APPROVED	No
ANSI APPROVED	No
ASME APPROVED	No
WATERSENSE CERTIFIED	No
NSF APPROVED	No
ANTI-SCALDING PROTECTION	Yes
FLOW RATE (GPM)	2.0 GPM
NUMBER OF HANDLES	2
INSTALLATION TYPE	Floor Mounted
MATERIAL	Brass
FINISH	Chrome
SPOUT HEIGHT	34-13/16"
SPOUT REACH	8-11/16"
CARTRIDGE TYPE	Ceramic

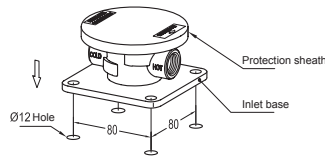


01



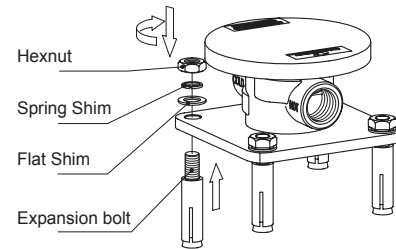
Prepare and check the following tools.

02



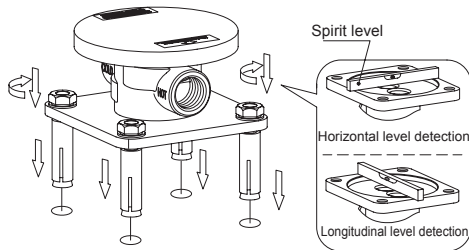
Take 4 mounting holes on inlet base (Note: ensure hot water inlet which printed with "HOT" mark faces to bathtub) as benchmark to draw line and drill 4 $\varnothing 12$ holes on the floor.

03



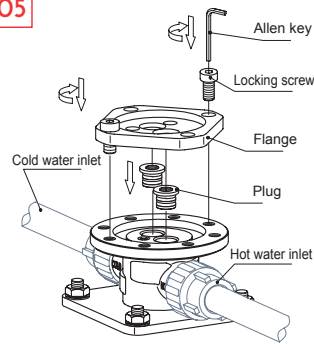
Install 4 expansion bolts to the inlet base and slightly tighten with hexnuts.

04



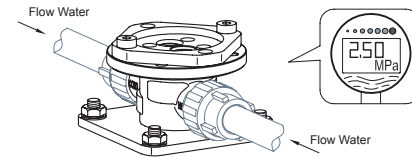
Insert expansion bolts into the holes on the floor (NOTE: hot water inlet which printed with "HOT" mark on inlet base faces to the bathtub), adjust the top surface of inlet base to level position with spirit level and tighten with hexnut.

05



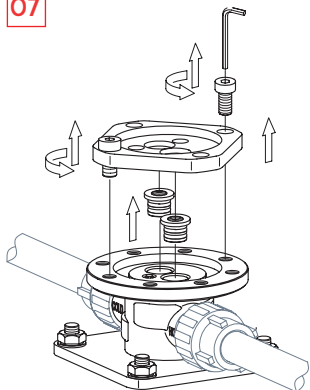
Connect inlet base with cold and hot water inlet, hot water inlet faces to bathtub, cold water inlet back against bathtub, wrap connectors with teflon tape. Run water to get rid of dirt in pipes. Remove protection sheath, insert plug into the outlet of inlet base and tighten with flange.

06



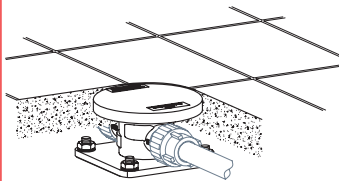
Run water for pressure testing, ensure each connection has no leakage occurs.

07



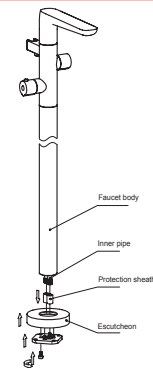
Unscrew locking screw, remove the flange and plug.

08

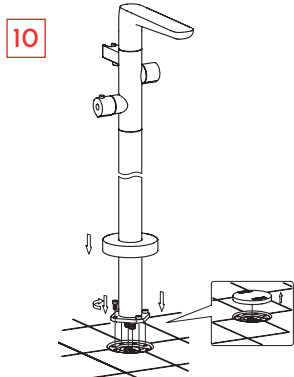


Put on protection sheath for paving floor tiles (NOTE: height of tiles should be at the same level or a bit higher than the top surface of protection sheath).

09

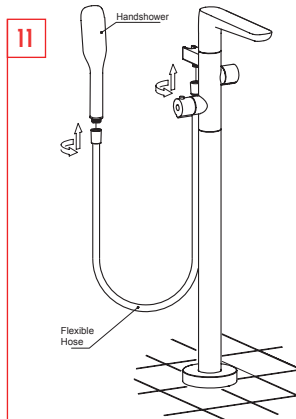


Remove protection sheath from inner pipe of faucet body, put on escutcheon lightly (pay special attention to the surface of faucet body to avoid scratching), then fix flange (keep the side with counter bore back against faucet body) firmly to faucet body with locking screws.



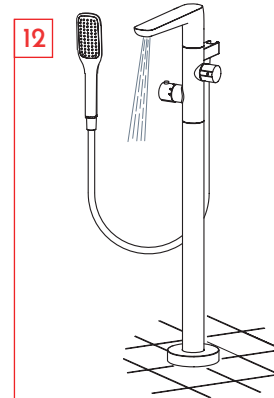
10

Take off protection sheath, insert inner pipe vertically into the outlet of inlet base. Then connect flange and inlet base with locking screws, tighten by allen key. Install escutcheon closely to the floor.



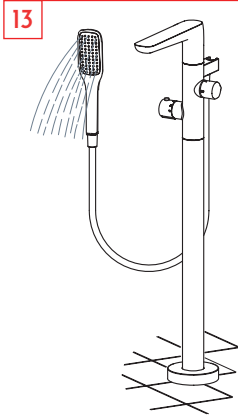
11

Connect handshower and faucet body with flexible hose.



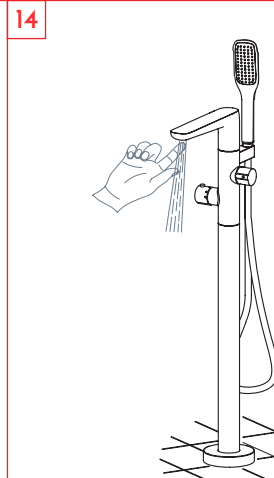
12

After installation, run water to check if the installation is qualified. The figure is for turns diverter handwheel clockwise, water runs from bath spout.



13

The figure is for turns diverter handwheel counter-clockwise, water runs from handshower.

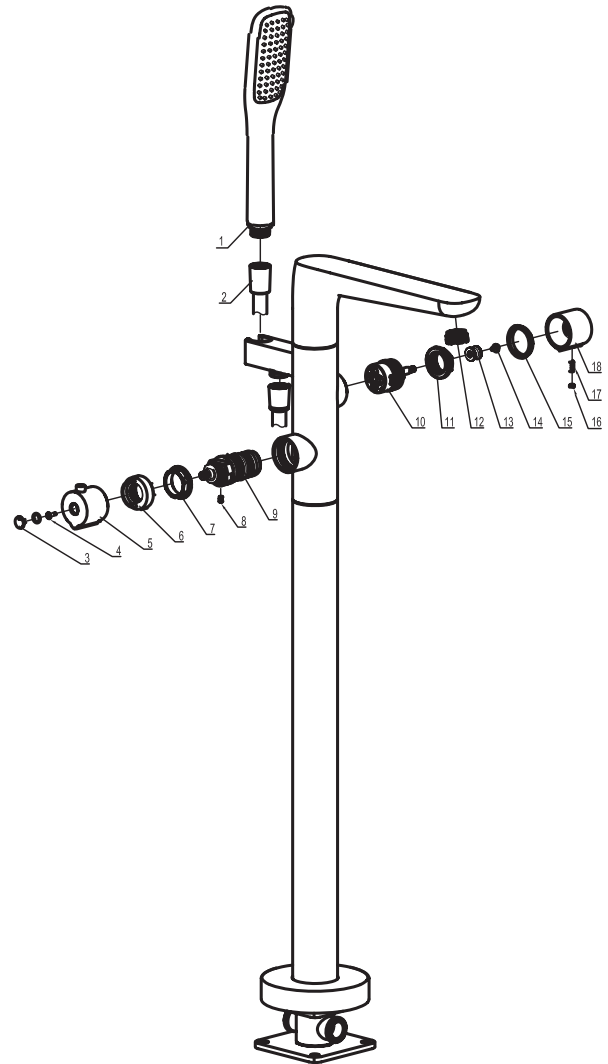


14

Direction of aerator is multidirectional, maximum range is $\pm 8^\circ$.



DIAGRAM NUMBER	DAX SKU	TITLE DESCRIPTION
1	FH 556	Handle shower
2	FH 8861B	PVC flexible hose
3	FH 619-03	Decoration cap
4	FH T-02B	Stop screw
5	FH 675-01	Handle
6	FH 617-15E	Limit snap ring
7	FH 8307-05B	Locknut
8	FH TJ-30606	M6x6 hexagon socket cone point set screw
9	FH HW-V	VERNET cartridge
10	FH TE02B	Diverter cartridge
11	FH 8458-02A	Locknut
12	FH TQ-11A	Aerator
13	FH 628-02A	Handle core
14	FH T-02A	M4-M6 Stop screw
15	FH 617-23	Plastic ring
16	FH 8465-10	Decoration cap
17	FH TJ-40514	M5x14 hexagon socket cone point set screw
18	FH 675-02	Handle



For parts or sale requirements please contact our customer service department:

 CS@daxib.com

 1 888 685 8236