



DAX-8142-BN

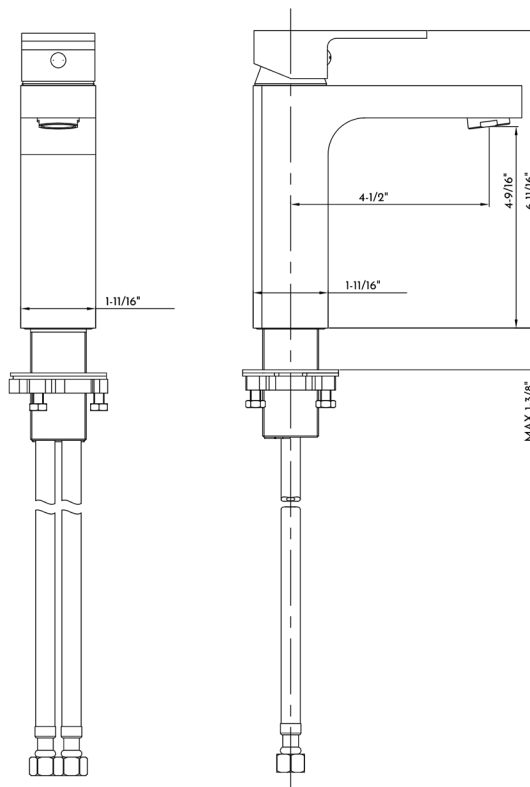


BATHROOM FAUCETS **SERIES**



FEATURES

- Single Lever
- Ceramic Cartridge
- Brushed Nickel Finish
- Flow rate: 1.5 GPM
- Lead Free
- cUPC - NSF61-9 - AB1953 Approved
- Hoses and Mounting Parts Included
- Pop Up Drain Not Included (Available)





BATHROOM FAUCET **DAX-8142-BN**

MODEL	DAX-8142-BN
MATERIAL	Brass
FINISH	Brushed Nickel
HEIGHT	6-11/16"
SPOUT HEIGHT	4-9/16"
SPOUT REACH	4-1/2"
FLOW RATE	1.5 GPM
HOT COLD INDICATORS	Yes
DECK PLATE INCLUDED	Yes
COMPATIBLE VALVE TYPE	Ceramic Cartridge
HANDLE STYLE	Single Lever
NUMBER OF HANDLES	One
HOSE LENGHT	27-9/16"
FAUCET HOLES	One
FAUCET HOLE SIZE	1-3/8"
INSTALATION TYPE	Deck Mounted
SPOUT SWIVEL	No
MAX DECK THICKNESS	1-3/8"

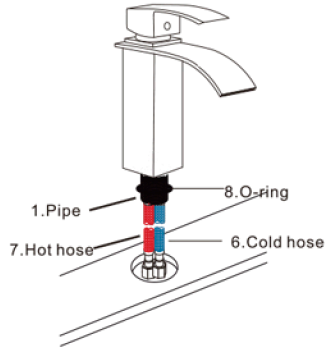
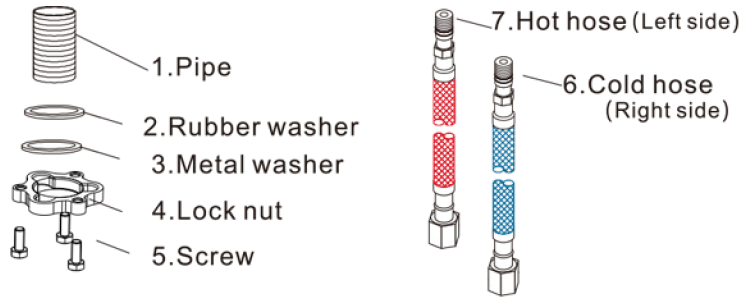
For parts or sale requirements
please contact our customer service department:



CS@daxib.com

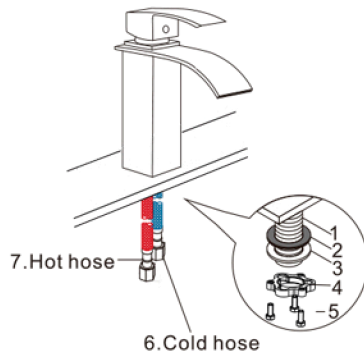


1 888 685 8236

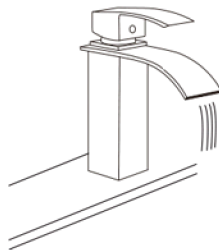


1. Remove the Rubber washer (2), Metal (3) and lock nut (4) from the faucet.

And then put the faucet into center hole.



2. Screw rubber washer(2), metal washer(3) and lock nut(4) onto the pipe(1). And then connect water supply(not included) on the hot hose(7) and cold hose(6).



3. Open the hot and cold water supplies. Check for leaks. Turn on faucet handle for one minute to flush debris from faucet.