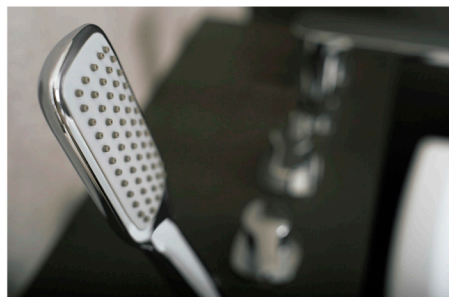
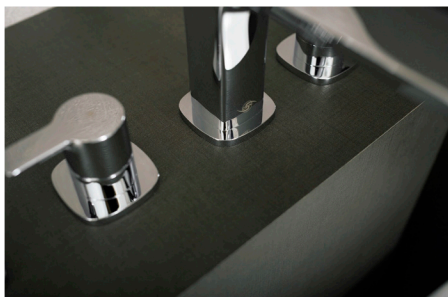


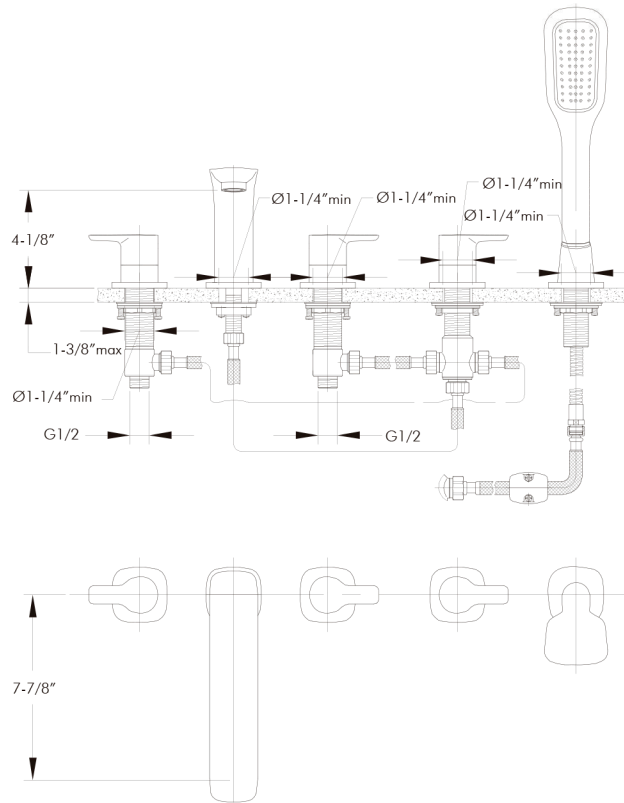


DAX-8138C



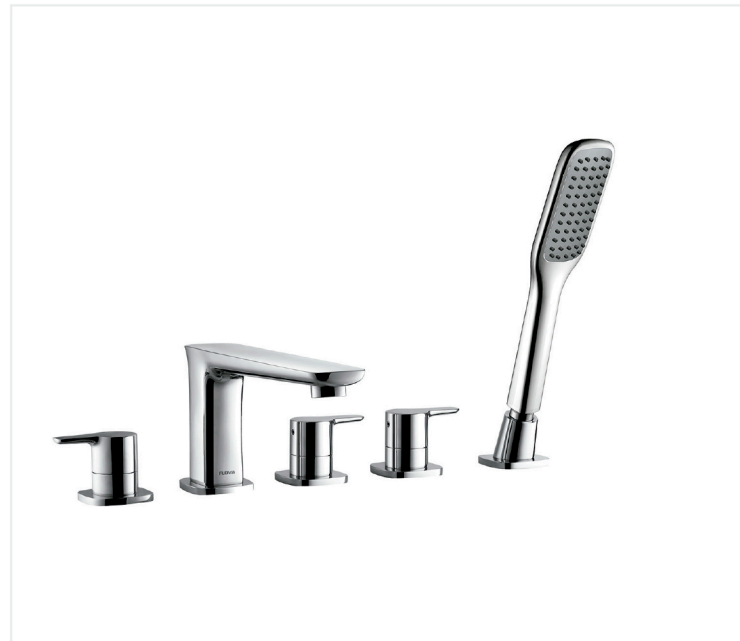
BATHTUB FILLERS SERIES





FEATURES

- Deck mount
- Brass body
- Chrome finish
- Ceramic cartridge
- Hand shower included
- Mounting parts and water lines included
- Spout GPM 3.88 at 20 PSI
- Handshower GPM 2.37 at 80 PSI

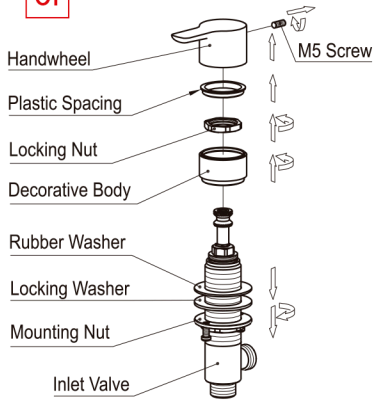




BATHTUB FILLER **DAX-8138C**

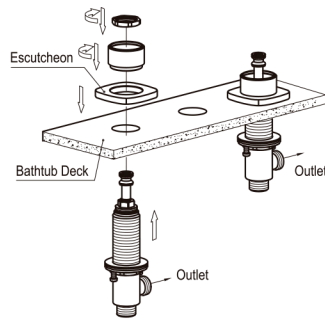
MODEL	DAX-8138C
ADA	NO
UPC APPROVED	NO
ANSI APPROVED	NO
ASME APPROVED	NO
WATERSENSE CERTIFIED	NO
NSF APPROVED	NO
INSTALLATION TYPE	Deck Mount
MATERIAL	Brass
FINISH	Chrome
SPOUT HEIGHT	4-1/8"
CARTRIDGE TYPE	Ceramic
HANDSHOWER INCLUDED	YES

01



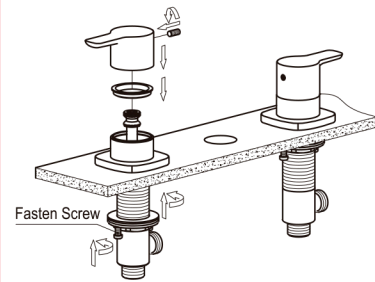
Loosen M5 screw, unscrew the handwheel, plastic spacing, mounting nut and decorative body from two inlet valves. Then screw the mounting nut to the bottom.

02



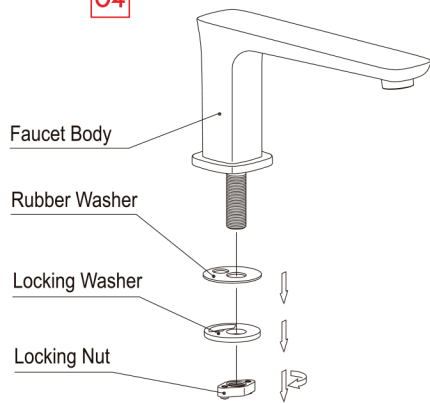
Place two inlet valves (red on the left and blue on the right) through the bathtub deck and keep two outlet towards each other. Put on the decorative body and screw the escutcheon. Tighten them with mounting nuts.

03



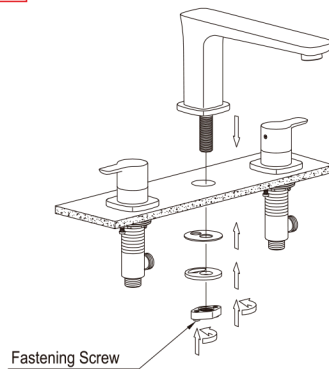
Screw the mounting nut and fasten screw tightly. Then put on plastic spacing. Install handwheel (attention: the handwheel with "sun" mark is printed is installed on the left and handwheel with "snow" mark is printed is installed on the right) and fix it with M5 screw.

04



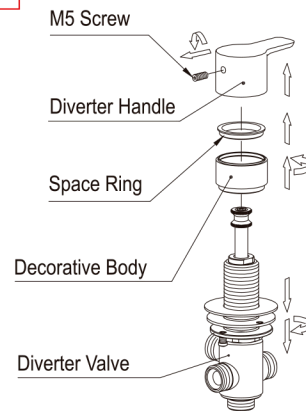
Remove the locking nut, locking washer and rubber washer from the faucet body.

05



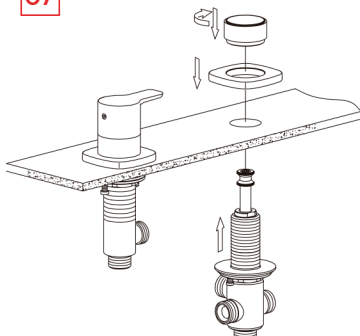
Place the faucet body through the bathtub hole. Install the rubber washer and locking washer. Screw the locking nut and tighten it with fastening screw.

06



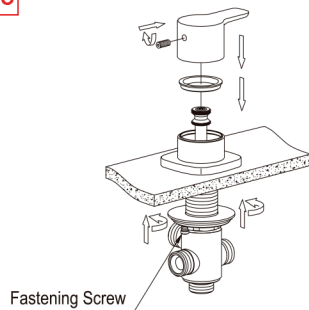
Remove the diverter handle, space ring and handle escutcheon from the diverter valve in turn. Screw the locking nut to the bottom.

07



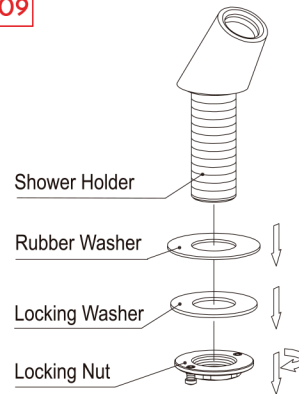
Place diverter valve through the bathtub hole and install the escutcheon. Then tighten the decorative body.

08



Tighten the locking nut and fastening screw in turn. Install the space ring and handle (attention: the default direction of handle is towards right). Fix the with M5 screws.

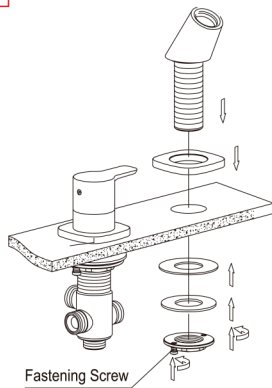
09



Remove the locking nut, locking washer and rubber washer from the shower holder.

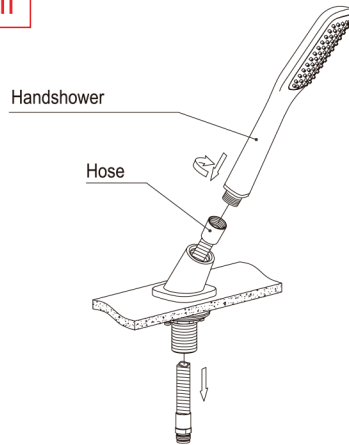


10



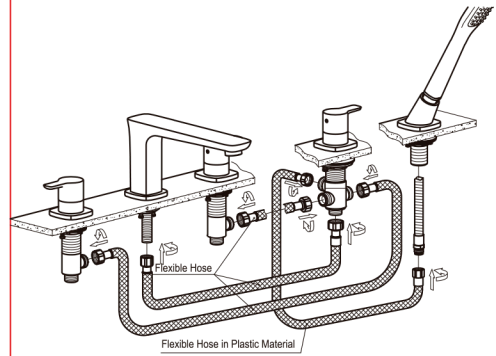
Place shower holder through the escutcheon and bathtub deck hole. Reinstall parts together again and tighten the locking nut with fastening screw.

11



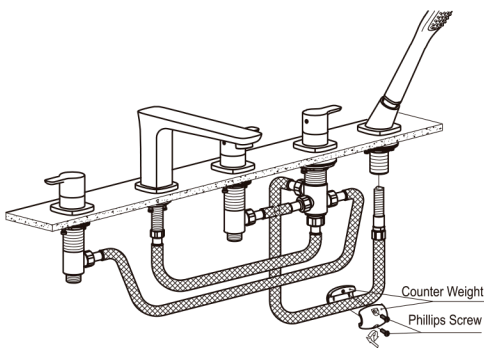
Connect the handshower and hose. Then place the shower hose through the handshower holder.

12



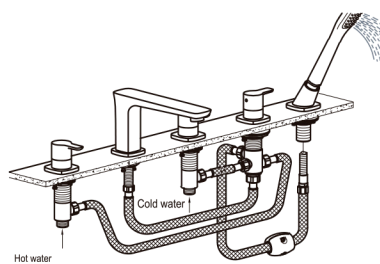
Connect inlet valves, diverter valves and faucet body with flexible hose. Connect the diverter valve and hose with flexible hose in plastic material.

13



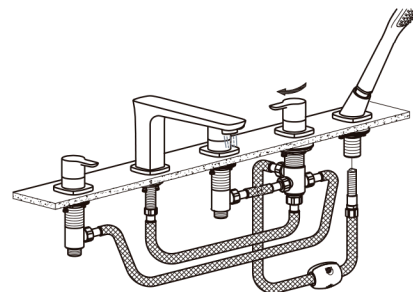
Put the counter weight on the flexible hose in plastic material at the proper position. (Make sure the hose can easily be pulled out).

14



After installation, flow water for inspection. The figure is for the case when the handle is turned on.

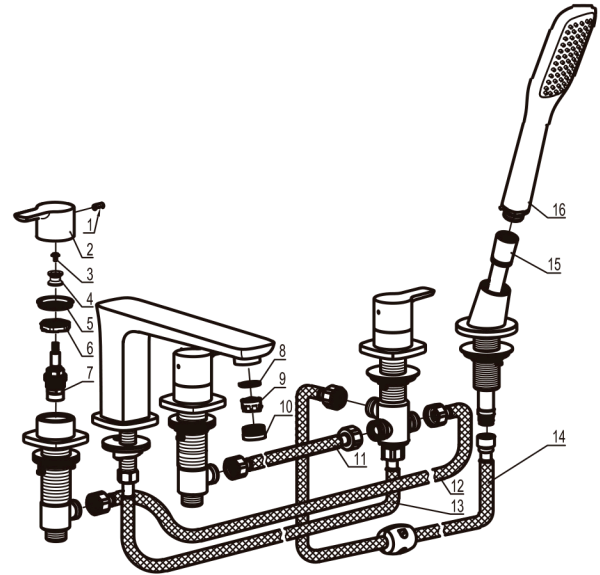
15



Turn the diverter handwheel to the left for bath pout water.



DIAGRAM NUMBER	DAX SKU	TITLE DESCRIPTION
1	FH TJ-40514	M5x14 Hexagon socket cone point set screw
2	FH 662-01	Handle
3	FH T-02A	Stop screw
4	FH 628-02A	Handle core
5	FH 617-23	Plastic washer
6	FH T-68	Lock hex nut
7	FH TB04/FH TB04A	B04/B04A head valve
8	FH 2123-28	Spout washer
9	FH TQ-07H	M24 aerator
10	FH TQ41-02	Spout inner collar
11	FH 8822-1	Knitted hose(300mm)
12	FH 8835	G1/2-G1/2Knitted hose
13	FH 8838	G3/8-G1/2Knitted hose
14	FH 8860	G1/2-M15x1Knitted hose
15	FH 8830B	Flexible hose
16	FH 556	Handshower



For parts or sale requirements please contact our customer service department:

 CS@daxib.com

 1 888 685 8236