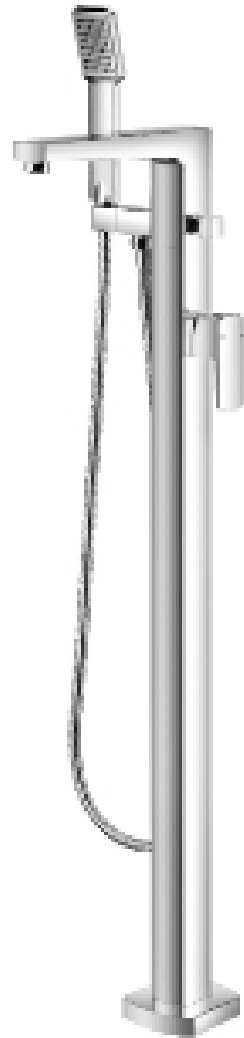




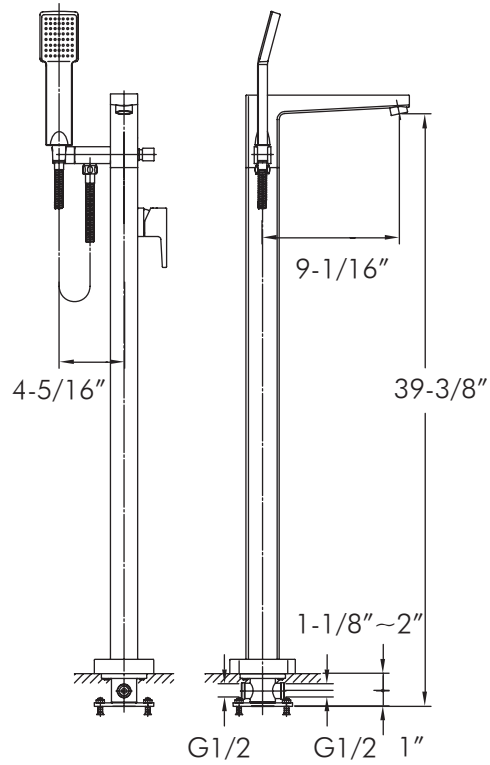
DAX-8129



BATHTUB FILLERS **SERIES**



www.daxib.com



FEATURES

- Floor mount
- Brass body
- Chrome finish
- Anti-scalding protection
- Ceramic cartridge
- Flow rate 5.0 GPM
- Hand shower included
- Mounting parts and water lines included





BATHTUB FILLER **DAX-8129**

MODEL	DAX-8129
ADA	YES
ANSI APPROVED	YES
ASME APPROVED	YES
WATERSENSE CERTIFIED	NO
NSF APPROVED	YES
CONNECTION SIZE	1/2"
FAUCETS HOLE	1
FAUCET TYPE	Bathshower mixer
FLOW RATE (GPM)	5.0 GPM
ANTI-SCALDING PROTECTION	YES
HANDLE STYLE	Single
NUMBER OF HANDLES	1
INSTALLATION TYPE	Floor-mount
MATERIAL	Brass
FINISH	Chrome
SIDESPRAY	NO
SPOUT HEIGHT	39-3/8"
SPOUT REACH	9-1/16"
CARTRIDGE TYPE	Ceramic
POP-IP INCLUDED	NO
MAX DECK THICKNESS	2"





Figure 1

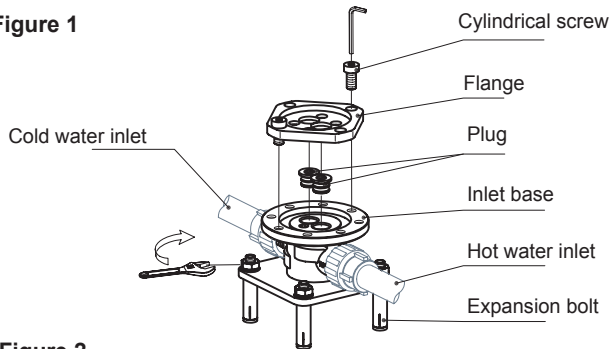
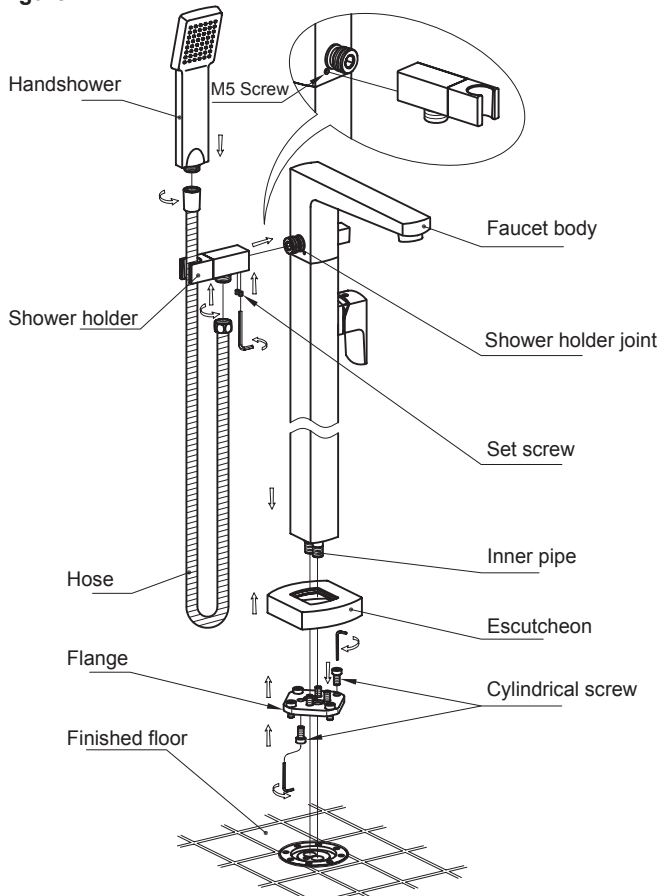


Figure 2



Installation steps

1. As shown in Fig.1, take 4 mounting holes on inlet base as benchmark to drill holes on the floor (Note: ensure hot water inlet which printed with "HOT" faces to the bathtub). Fix inlet base on the floor with expansion bolt.
2. Pave cold and hot water inlet pipes on the floor and connect to the inlet base. (Note: "HOT" mark for hot water inlet, "COLD" mark for cold water inlet).
3. Insert plug into outlet of inlet base and tighten it with flange (Note to keep the side with counter bore of flange face upward), run water and keep pressure for 2 hours test, ensure each joint has no leakage occurs. Note: as the product is a built-in valve, do test it well and ensure no leakage before paving floor tiles.
4. Remove flange and plug.
5. Put on protection sheath for paving floor tiles (Note: the height of tiles should be at the same level or a bit higher than the top surface of inlet base. Make edge of tiles along protection sheath for a better appearance).
6. As shown in Fig.2, put on escutcheon to faucet body carefully to avoid scratch to the surface of faucet body.
7. Remove protection sheath from inlet base and inner pipe, pass flange (keep the side with counter bore back against faucet body) through inner pipe and fix to faucet body firmly with cylindrical screws, insert inner pipe into the outlet of inlet base, connect flange and inlet base with cylindrical screws and fix by allen key.
8. Close escutcheon to floor tiles.
9. Fix shower holder to shower holder joint and tighten with set screw (Note to aim M5 screw on faucet body at the hole of shower holder).
10. Connect handshower and shower holder with hose, run water to check if the installation is qualified.

For parts or sale requirements please contact our customer service department:

 CS@daxib.com

 1 888 685 8236

