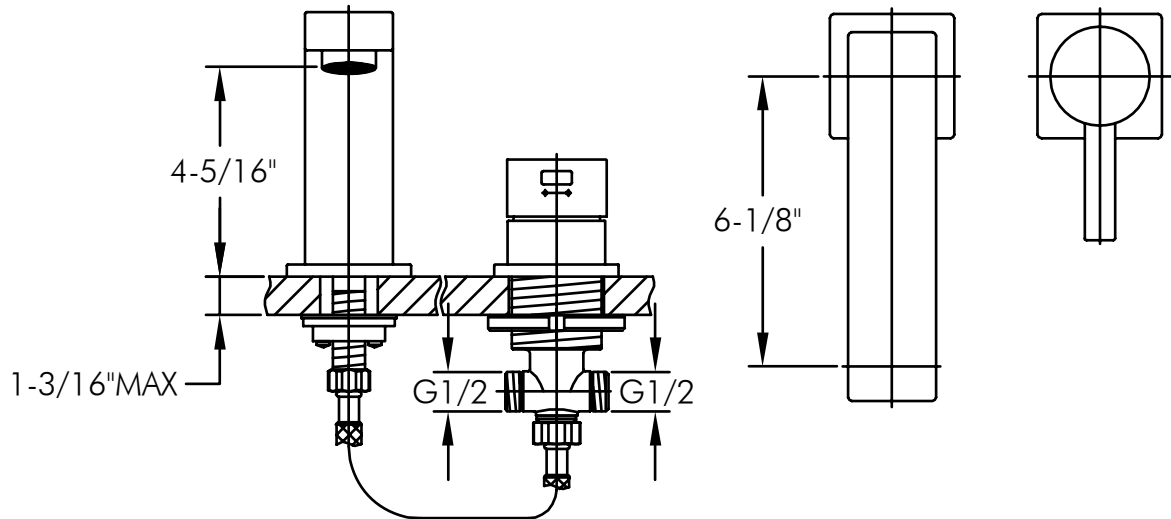




DAX-8127



BATHROOM FAUCETS SERIES



FEATURES

- Single Lever
- Ceramic cartridge
- Brass body
- Flow rate 1.2 GPM
- Installation hole 1-3/8"
- Chrome finish
- Hoses and mounting parts included
- Pop up drain not included (available)



BATHROOM FAUCET **DAX-8127**

MODEL	DAX-8127
ADA	NO
UPC APPROVED	NO
ANSI APPROVED	NO
ASME APPROVED	NO
WATERSENSE CERTIFIED	NO
NSF APPROVED	NO
CONNECTION SIZE	G3/8
FAUCET HOLE SIZE	1-5/16"
FAUCETS HOLE	2 holes
FAUCET TYPE	Basin Mixer
FLOW RATE (GPM)	1.5 GPM
HANDLE STYLE	Single lever
NUMBER OF HANDLES	1
HEIGHT	6-1/16"
INSTALLATION TYPE	Deck mounted
MATERIAL	Brass body + zinc handle
FINISH	Brushed Stainless Steel
SPOUT HEIGHT	5-1/8"
SPOUT REACH	4-3/8"
SPOUT SWIVEL	NO
SPOUT TYPE	Casting spout
CARTRIDGE TYPE	Ceramic
POP-IP INCLUDED	NO
MAX DECK THICKNESS	1-3/8"

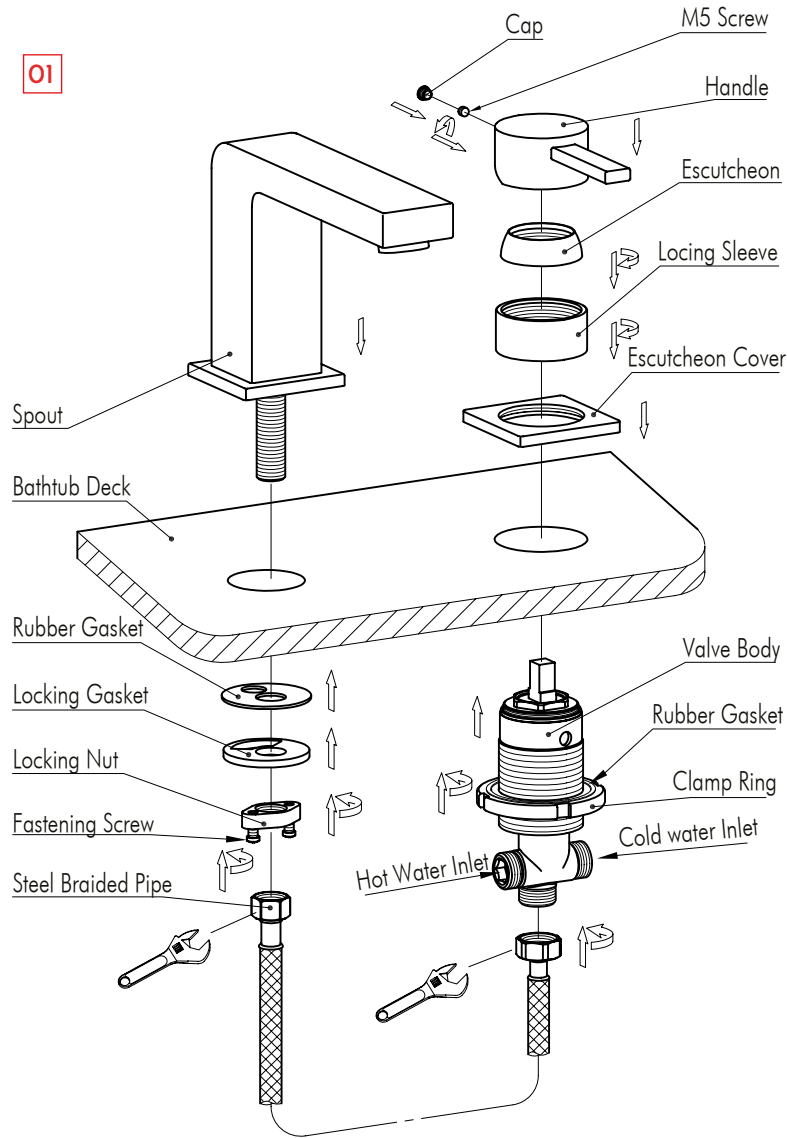
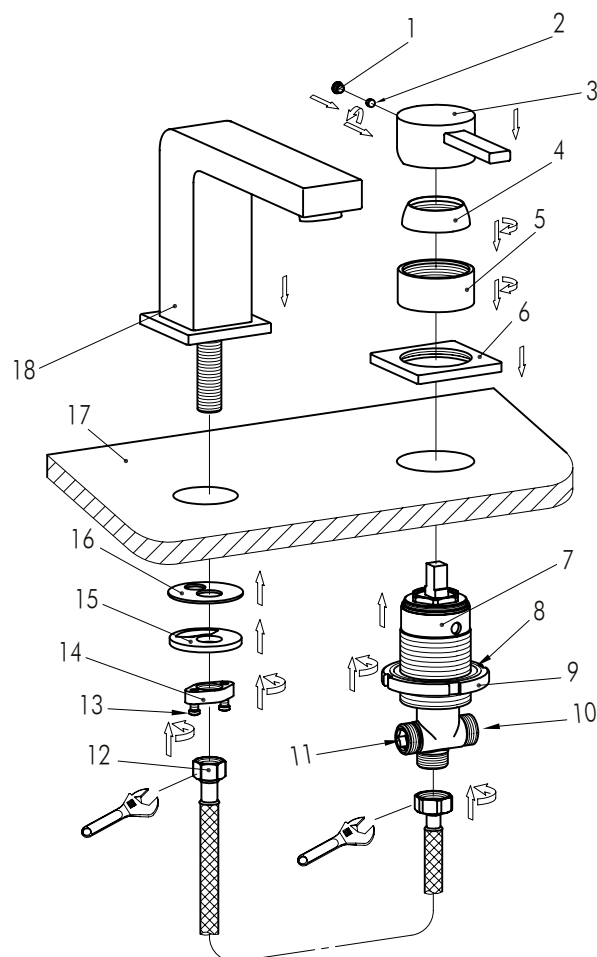




DIAGRAM NUMBER	DAX SKU	TITLE DESCRIPTION
1		Cap
2		M5 Screw
3		Handle
4		Escutcheon
5		Locing Sleeve
6		Escutcheon Cover
7		Valve Body
8		Rubber Gasket
9		Clamp Ring
10		Cold water Inlet
11		Hot Water Inlet
12		Steel Braided Pipe
13		Fastening Screw
14		Locking Nut
15		Locking Gasket
16		Rubber Gasket
17		Bathtub Deck
18		Spout



For parts or sale requirements please contact our customer service department:

 CS@daxib.com

 1 888 685 8236