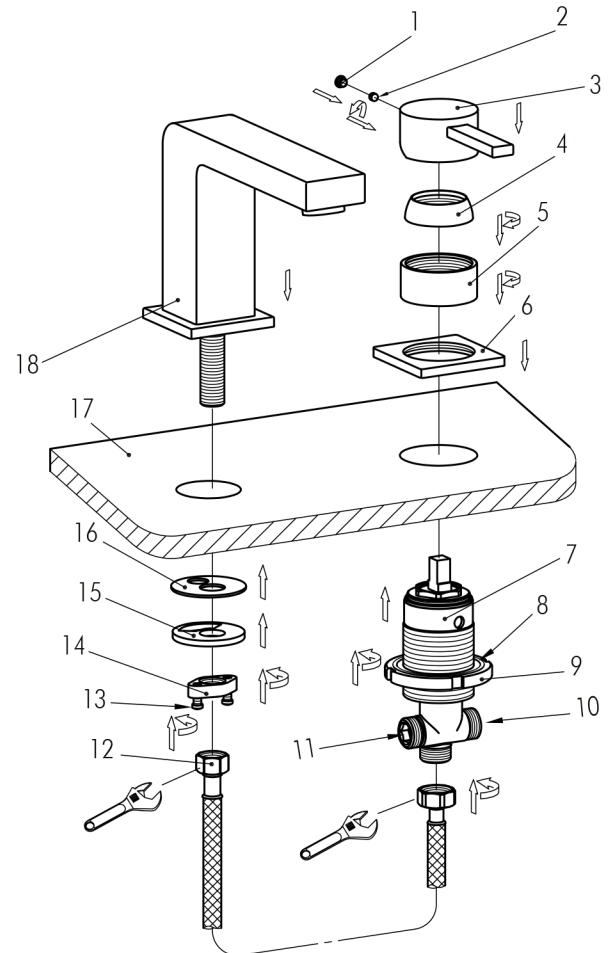




DIAGRAM NUMBER	DAX SKU	TITLE DESCRIPTION
1	60201	Cap
2	60202	M5 Screw
3	60203	Handle
4	60204	Escutcheon
5	60205	Locing Sleeve
6	60206	Escutcheon Cover
7	60207	Valve Body
8	60208	Rubber Gasket
9	60210	Clamp Ring
10	60211	Cold water Inlet
11	60212	Hot Water Inlet
12	60213	Steel Braided Pipe
13	60214	Fastening Screw
14	60215	Locking Nut
15	60216	Locking Gasket
16	60217	Rubber Gasket
17	60218	Bathtub Deck
18	60219	Spout



For parts or sale requirements please contact our customer service department:

 CS@daxib.com

 1 888 685 8236