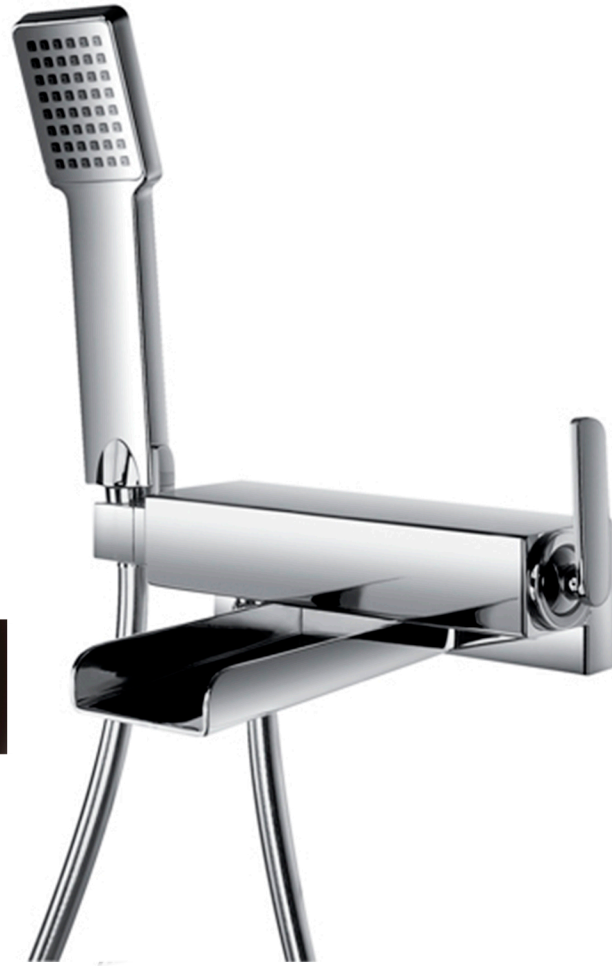
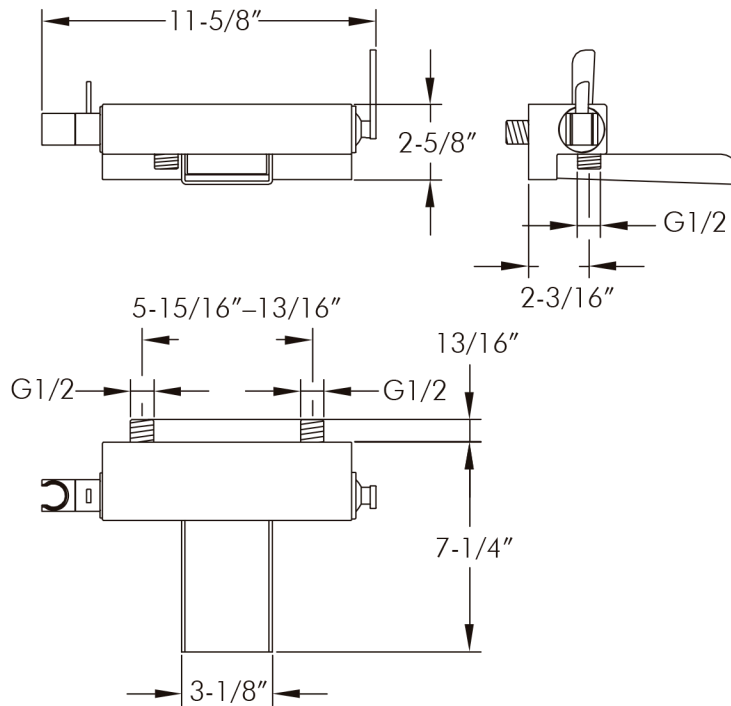




DAX-8105-BN



BATHTUB FILLERS **SERIES**



## FEATURES

- Wall mount
- Brass body
- Brushed nickel
- Anti-scalding protection
- Ceramic cartridge
- Flow rate 3.3 GPM
- Hand shower included
- Mounting parts and water lines included

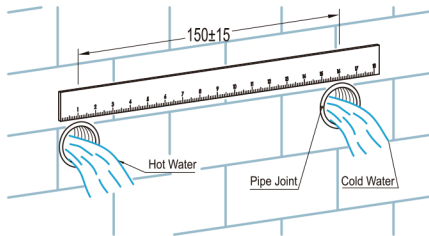




**BATHTUB FILLER DAX-8105-BN**

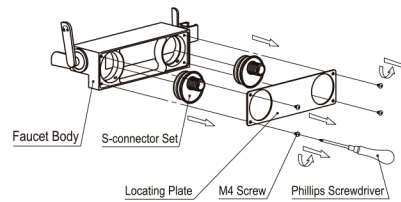
MODEL	DAX-8105-BN
ADA	NO
UPC APPROVED	NO
ANSI APPROVED	NO
ASME APPROVED	NO
WATERSENSE CERTIFIED	NO
NSF APPROVED	NO
CONNECTION SIZE	1/2"
FAUCETS HOLE	1
FLOW RATE (GPM)	3.3 GPM
HANDLE STYLE	Single
NUMBER OF HANDLES	1
HEIGHT	7-1/4"
HOSE LENGTH	59-1/16"
INSTALLATION TYPE	Wall-mounted
MATERIAL	Brass
FINISH	
SIDESPRAY	NO
CARTRIDGE TYPE	Ceramic
POP-IP INCLUDED	NO
POP-IP INCLUDED	NO

01



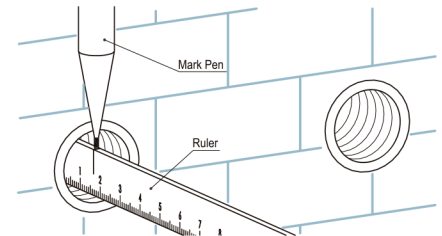
Install the cold and hot water pipes in the wall at the height of 600mm. The distance between is 150mm with the hot water on the left and the cold water on the right

02



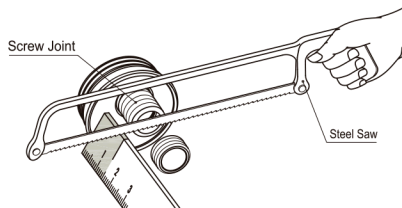
Remove the four M4 screws off the faucet body with Phillips screwdriver and take out the locating plate and S-connectors set

03



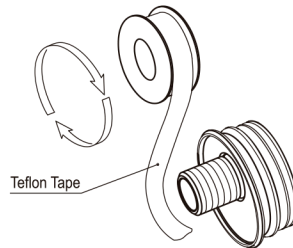
Measure the depth of thread joint with ruler and make marks on the wall with marked pen based on the wall

04

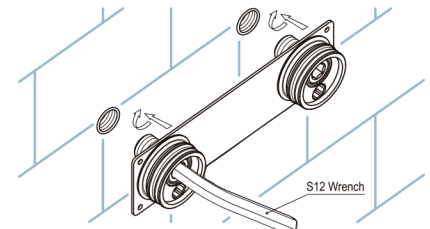


Measure the length of screw joint on the S-connector with ruler. If the length is longer than that of the pipe joint, cut it by a steel saw

05

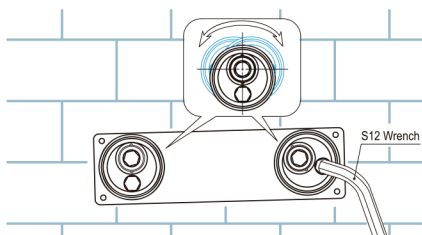


06

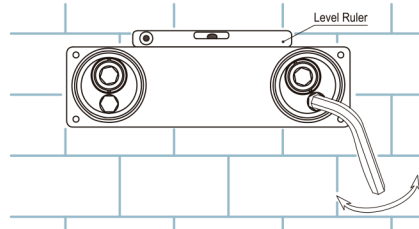


Wrap the two S-connectors with Teflon tape and put them through the locating plate and screw them into the pipe joint. Tighten them with S12 wrench (Fig.5 and Fig.6)

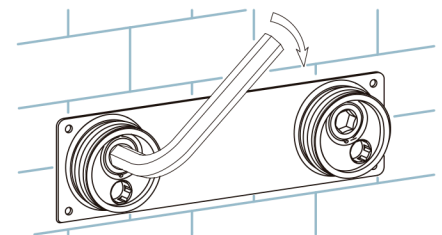
07



08

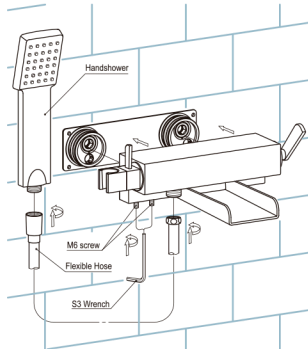


09



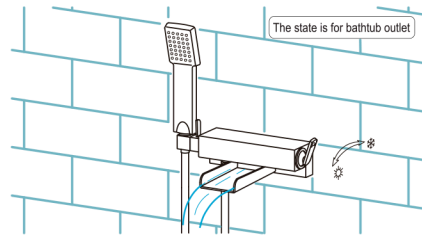
Adjust the S-connector sets parallel with the locating plate with S12 wrench. Check it by level ruler and screw up the screw joints (Fig.7, Fig.8 and Fig.9).

10

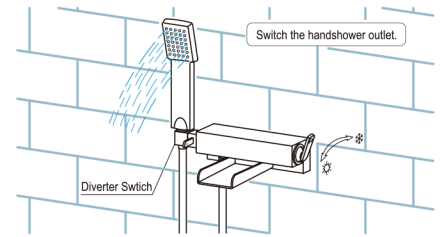


Put on the faucet body to the S-connectors against the wall, tightened them with 4 M4 screws. Connect the handshower and the faucet body with the flexible hose. the installation is finished.

11



12



Turn on water for inspection (Fig.11, Fig.12)

13

