



DAX-8099



SHOWER VALVES SERIES

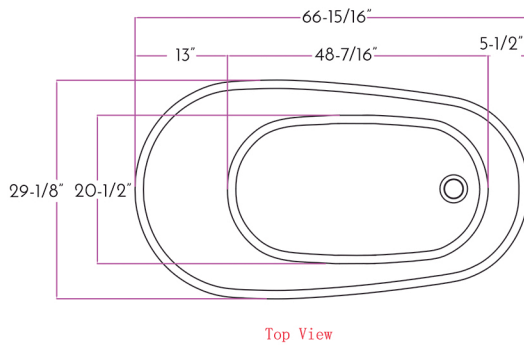
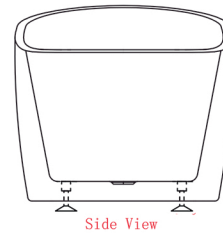
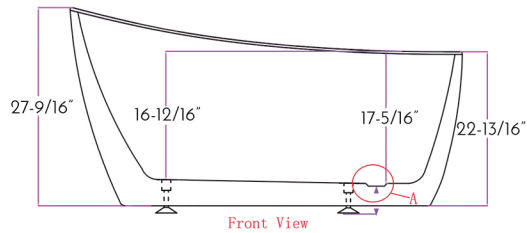


www.daxib.com



FEATURES

- Acrylic material
- Freestanding
- Glossy White Finish
- Oval Shape
- With Overflow
- Maximum Capacity: 93.78 Gallons



Section A Detailed

