

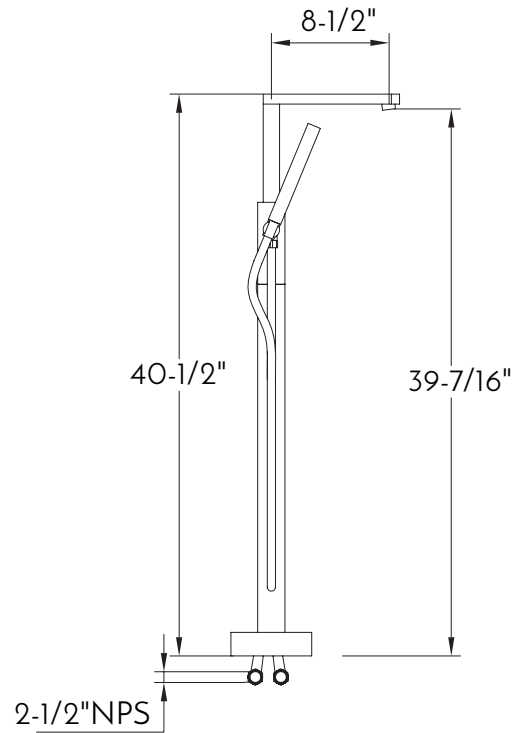


DAX-808-CR



BATHTUB FILLERS SERIES





FEATURES

- Floor mount
- Brass body
- Anti-scalding protection
- Ceramic cartridge
- Flow rate 3.54 GPM
- Hand shower included
- Mounting parts and water lines included





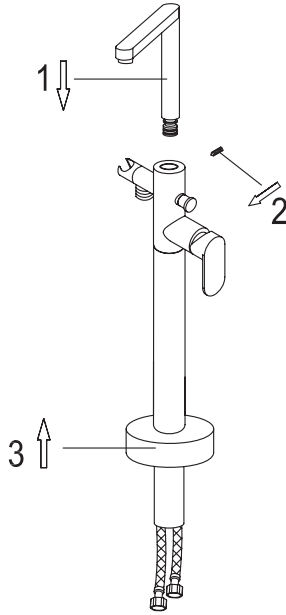
BATHTUB FILLER **DAX-808-CR**

MODEL	DAX-808-CR
ADA	No
ANSI APPROVED	No
ASME APPROVED	No
ASME COD	No
DIVERTER INCLUDED	Pull lifting assembly
DRAIN ASSEMBLY INCLUDED	No
FAUCETS HOLE	1
FAUCET TYPE	Single lever bath/shower mixer
ANTI-SCALDING PROTECTION	Yes
FLOW RATE (GPM)	3.54 Gpm
HANDLE HEIGHT	28-5/16"
HANDLE MATERIAL	Brass
HANDLE STYLE	Oval panel faucet handle
HANDLED INCLUDED	Yes
HANSHOWER	Kj8077305
HAND SHOWER FLOW RATE (GPM)	3.54 Gpm
HANSHOWER INCLUDED	Yes
HEIGHT	40-1/2"
HOSE INCLUDED	Stainless hose (1/2-1/2)
HOSE LENGTH	35-7/16"
INSTALLATION TYPE	Floor mounted
INTEGRATED DIVERTER	No
MATERIAL	Brass
FINISH	Chrome
MOUNTING TYPE	Floor mounted
SPOUT HEIGHT	39-7/16"

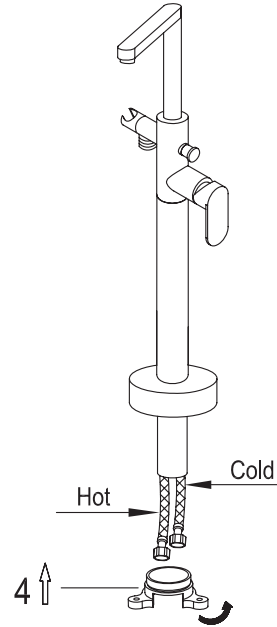




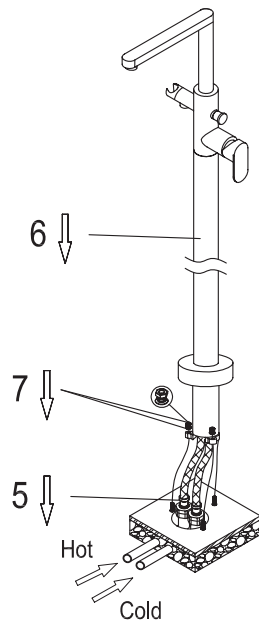
01



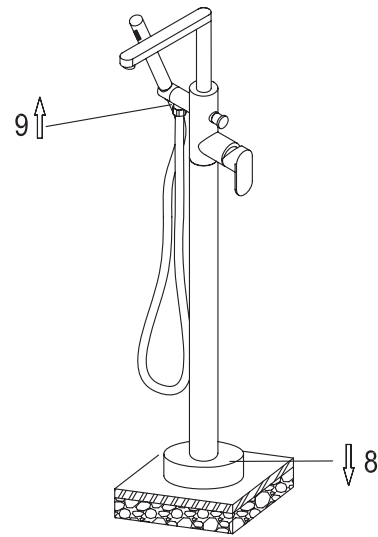
02



03



04



For parts or sale requirements please contact our customer service department:

 CS@daxib.com

 1 888 685 8236