

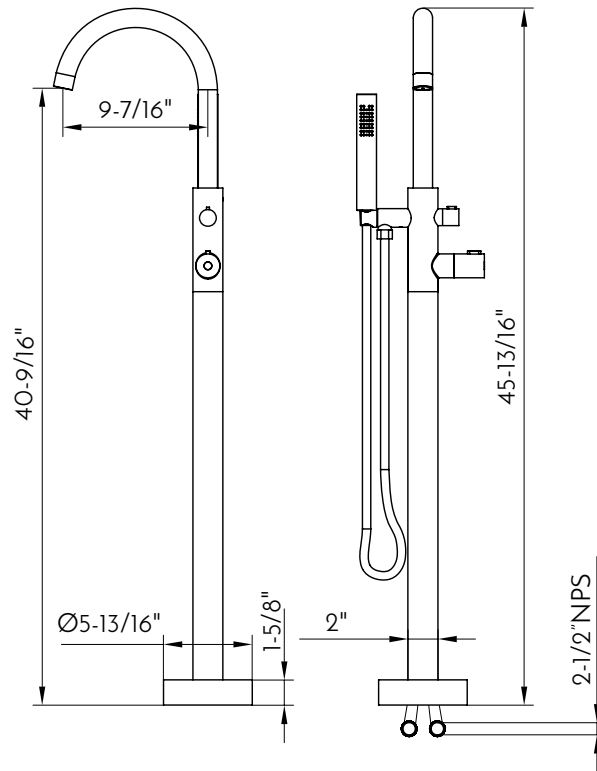


DAX-807-CR



BATHTUB FILLERS SERIES





FEATURES

- Floor mount
- Brass body
- Thermostatic valve
- Anti-scalding protection
- Ceramic cartridge
- Flow rate 4.01 GPM
- Hand shower included
- Mounting parts and water lines included





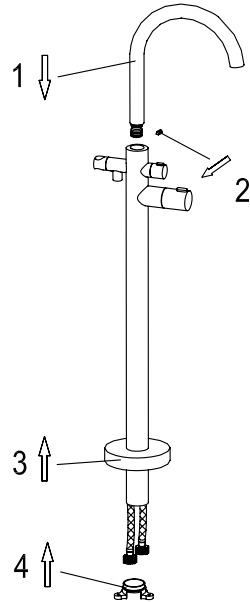
BATHTUB FILLER DAX-807-CR

MODEL	DAX-807-CR
ADA	NO
ANSI APPROVED	NO
DIVERTER INCLUDED	1 In two out 25# diverter
WATERSENSE CERTIFIED	NO
DRAIN ASSEMBLY INCLUDED	NO
FAUCETS HOLE	1
FAUCET TYPE	Thermostatic bath/shower mixer
ANTI-SCALDING PROTECTION	YES
FLOW RATE (GPM)	4.01 GPM
HANDLE HEIGHT	28-7/8"
HANDLE MATERIAL	Brass
HANDLE STYLE	Flat headed cylinder
HANDLED INCLUDED	Temperature control hand wheel/ Flow control handwheel
HAND SHOWER FLOW RATE (GPM)	4.01 GPM
HANSHOWER INCLUDED	YES
HEIGHT	45-13/16"
HOSE INCLUDED	Stainless hose (1/2-1/2)
HOSE LENGTH	35-7/16"
INSTALLATION TYPE	Floor mounted
MATERIAL	Brass
FINISH	Chrome
MOUNTING TYPE	Floor Mounted
SPOUT HEIGHT	40-9/16"
SPOUT REACH	9-7/16"

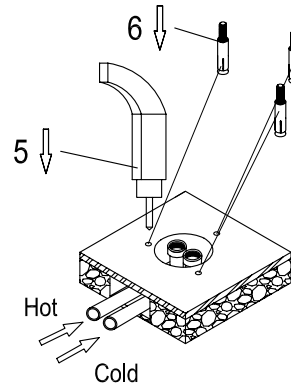




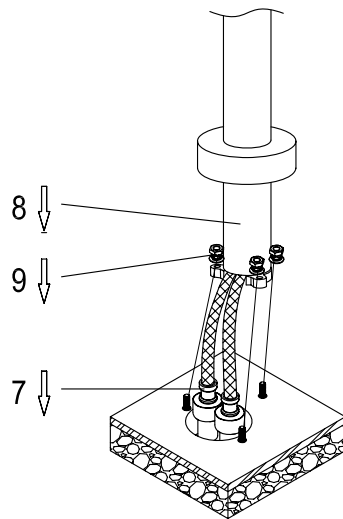
01



02



03



04

