



DAX-805L-CR



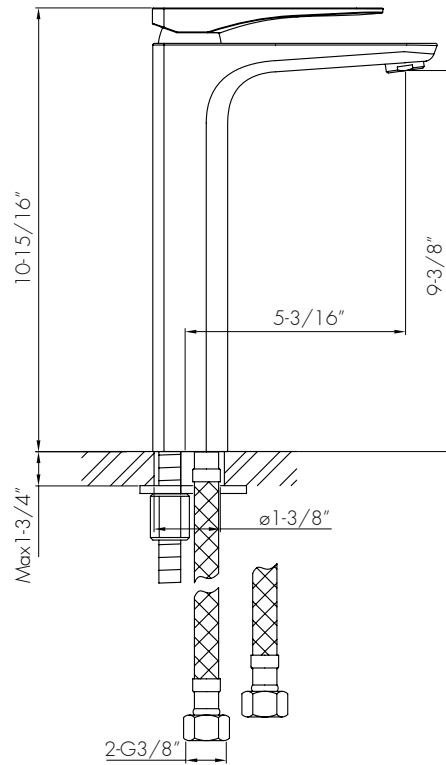
BATHROOM FAUCETS SERIES



www.daxib.com



DAX-805L-CR



FEATURES

- Single lever
- Vessel installation
- Ceramic cartridge
- Brass body
- Flow rate 1.16 GPM
- Installation hole 1-3/8"
- Hoses and mounting parts included
- Pop up drain not included (available)
- Chrome finish





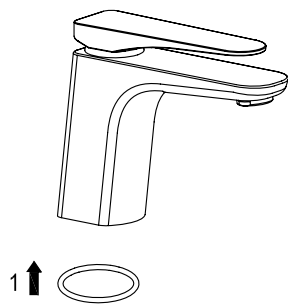
BATHROOM FAUCET **DAX-805L-CR**

MODEL	DAX-805L-CR
UPC APPROVED	YES
WATERSENSE CERTIFIED	NO
NSF APPROVED	YES
CONNECTION SIZE	Ø1-3/8"
FAUCET HOLE SIZE	G1/2"
FAUCETS HOLE	Single hole
FAUCET TYPE	Basin Faucet
FLOW RATE (GPM)	1.16 GPM
HANDLE STYLE	Contemporary
NUMBER OF HANDLES	Single handle
HEIGHT	10-15/16"
HOSE LENGTH	15-3/4"
INSTALLATION TYPE	Vessel installation
MATERIAL	Brass
FINISH	Chrome
SPOUT HEIGHT	9-3/8"
SPOUT SWIVEL	NO
SPOUT TYPE	M24*1 Neoperl
CARTRIDGE TYPE	35# sedal high spool
POP-IP INCLUDED	NO
MAX DECK THICKNESS	1-3/4"

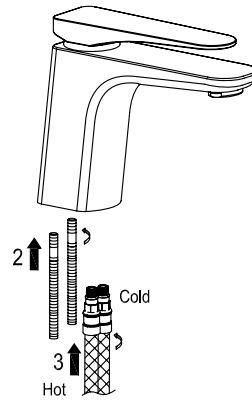




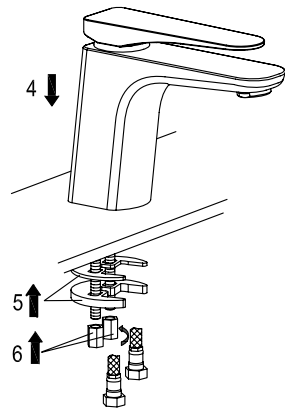
01



02



03



04

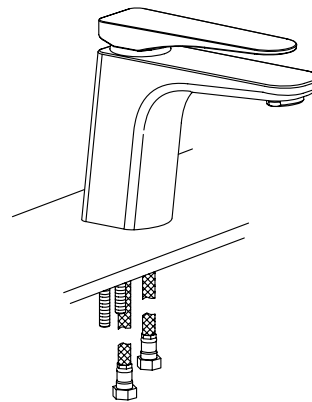
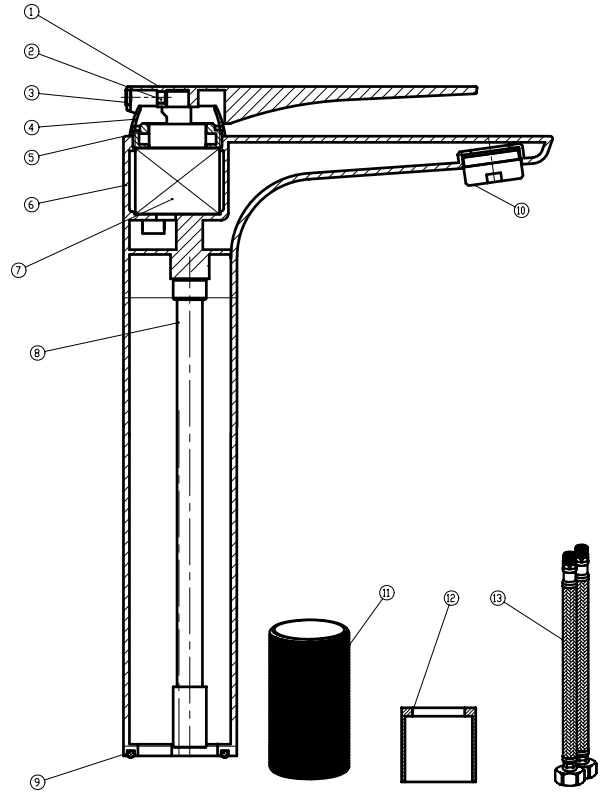





DIAGRAM NUMBER	DAX SKU	TITLE DESCRIPTION
1	Z06120301057	
2	T99600543017	
3	T53300543017	
4	T00101801017	
5	T00000301007	
6	J00167001057	
7	Z68010100007	
8	T01113301017	
9	T50011561007	
10	T53703343007	
11	J00812806007	
12	T04202401007	
13	Z30630000007	



For parts or sale requirements please contact our customer service department:

 CS@daxib.com

 1 888 685 8236

