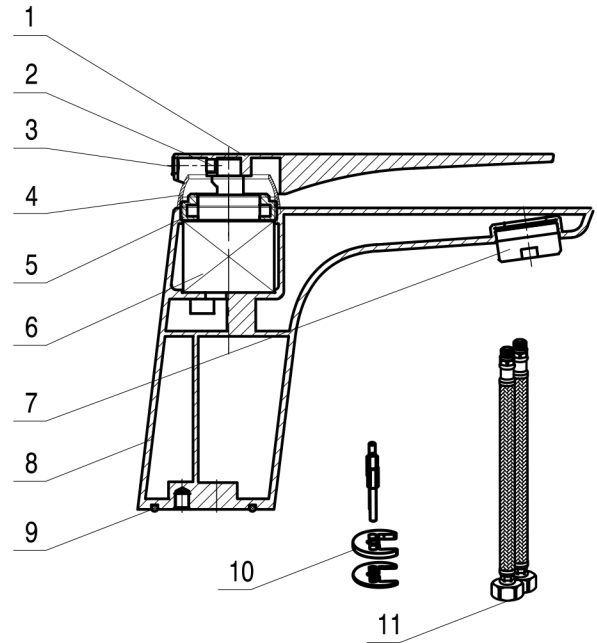




DIAGRAM NUMBER	DAX SKU	TITLE DESCRIPTION
1	Z06120301057-BN	Handle
2	T99600521017	Screw
3	T53300543017	Cap
4	T00101801017	Cover
5	T00000301027	Lock Nut
6	Z61010100007	Cartridge
7	T53703343007	Aerator
8	J00151901057-BN	Body
9	T50012161007	O-ring
10	Z40100000007	Fitting Set
11	Z30630000007	Water inlet braided hose



For parts or sale requirements please contact our customer service department:



CS@daxib.com



1 888 685 8236

