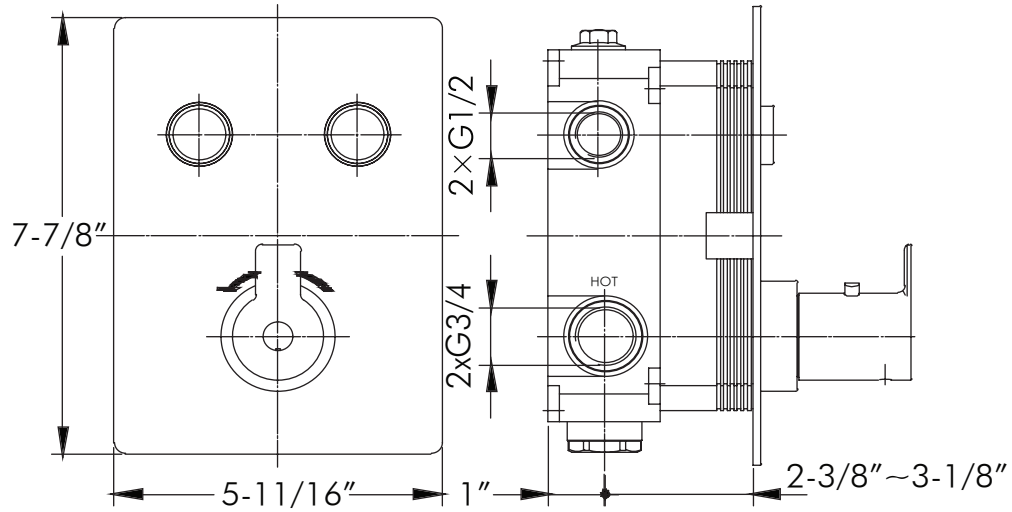




DAX-7303A-BN



SHOWER VALVES **SERIES**



FEATURES

- Two functions
- Thermostatic
- Ceramic cartridge
- Brass body
- DAX ClickOn® system





SHOWER VALVE **DAX-7303A-BN**

MODEL	DAX-7303A-BN
BODYSPRAYS INCLUDED	N/A
NUMBER OF BODYSPRAYS	N/A
BODYSPRAYS CONNECTION SIZE	N/A
INLETS QUANTITY	2
INLETS SIZE	3/4"
OUTLETS QUANTITY	2
OUTLETS SIZE	1/2"
HANDLE MATERIAL	Brass
HANDLE STYLE	Single
GOCLICK BUTTONS	2
HAND SHOWER INCLUDED	No
HAND SHOWER HOSE INCLUDED	No
HAND SHOWER HOSE LENGTH	No
INSTALLATION TYPE	Wall mounted
MATERIAL	Brass
PRESSURE BALANCE	No
SCALD GUARD	No
SHOWER ARM REACH	N/A
SHOWER ARM CONNECTION SIZE	N/A
SHOWER HEAD	N/A
SHOWER HEAD HEIGHT	N/A
SHOWER HEAD SHAPE	N/A
SHOWER HEAD WIDTH	N/A
SLIDE BAR INCLUDED	No
SLIDE BAR DIMENSION	No
THERMOSTATIC	No
VALVE TYPE	Thermostatic
FINISH	Brushed nickel

For parts or sale requirements please contact our customer service department:



CS@daxib.com



1 888 685 8236