



DAX-70054



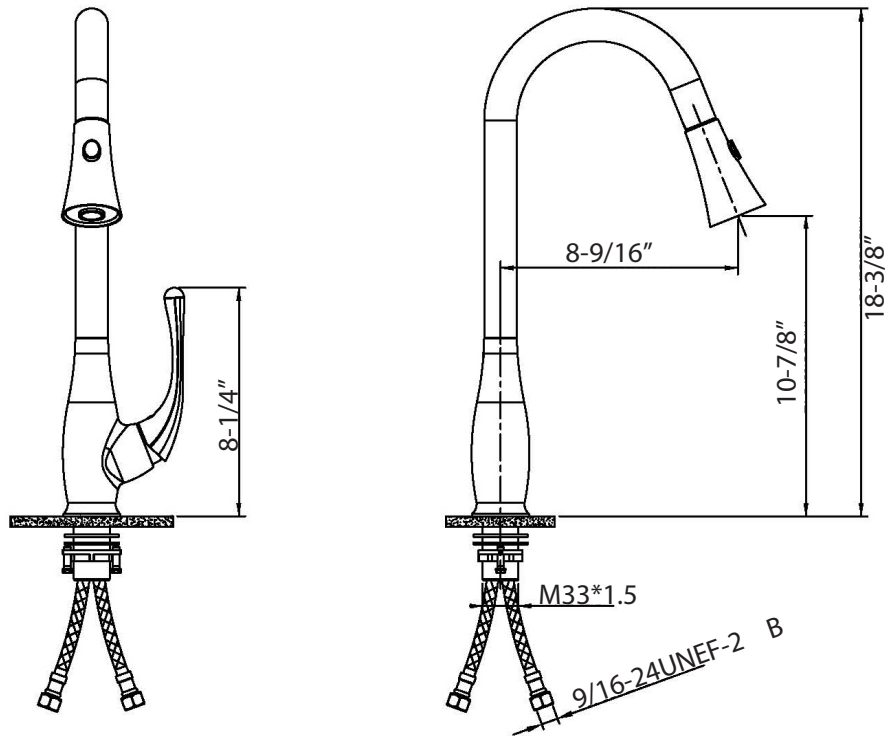
KITCHEN FAUCETS SERIES



www.daxib.com



DAX-70054



FEATURES

- Pull down shower head
- Brushed nickel finish
- Brass body casting
- Dual sprayer
- ABS shower head
- Ceramic cartridge
- Flow rate 2.2 GPM
- Height 18-3/8"
- Installation hole 1-3/8"
- Water lines and mounting parts included





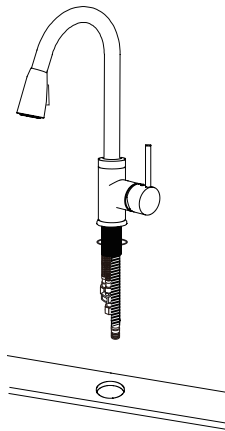
KITCHEN FAUCET **DAX-70054**

MODEL	DAX-70054
ADA	NO
UPC APPROVED	YES
ANSI APPROVED	YES
ASME APPROVED	YES
WATERSENSE CERTIFIED	NO
NSF APPROVED	YES
CONNECTION SIZE	3/8" compression
FAUCET HOLE SIZE	1- 3/8"
FAUCETS HOLE	Single hole
FAUCET TYPE	Kitchen faucet
FLOW RATE (GPM)	2.2GPM
HANDLE STYLE	Lever
NUMBER OF HANDLES	1
HOSE LENGTH	24"
INSTALLATION TYPE	Deck mounted
MATERIAL	Brass
FINISH	Brushed nickel
PULL OUT SPRAY	YES
PRE-RINSE	NO
SIDESPRAY	NO
SPOUT REACH	8-9/16"
SPOUT SWIVEL	YES
SPOUT TYPE	Drip free and spray dual control
CARTRIDGE TYPE	Ceramic
MAX DECK THICKNESS	2"
INCLUDED COMPONENTS	Water lines and mounting parts



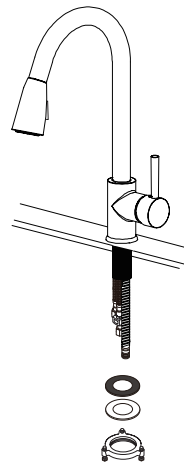


01



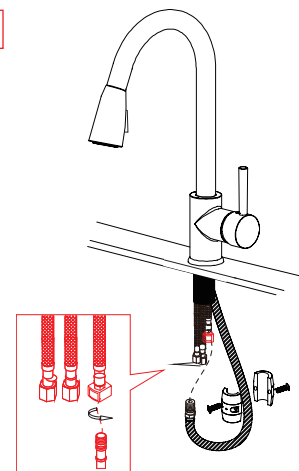
Screw pipe on the faucet. Place O-RING below faucet. Screw hot hose and cold hose on the faucet and then put them into the hole.

02



Screw rubber washer, metal washer and lock nut onto the pipe.

03

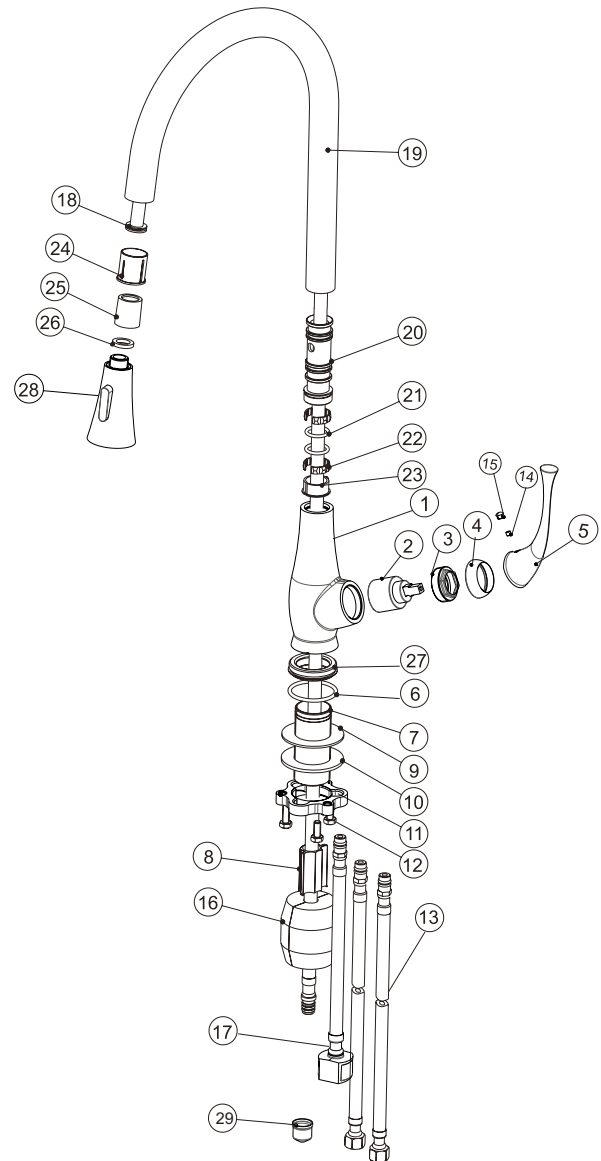


Connect pull out hose with Quick Connector. Assemble weight and screws on the pull out hose. And then connect water supply on the hot hose and cold hose.





DIAGRAM NUMBER	DAX SKU	TITLE DESCRIPTION
1	RP110164	Body
2	RP110165	Cartridge
3	RP110166	Pressing Nut
4	RP110167	Cover
5	RP110168	Handle
6	RP110169	O-ring
7	RP110170	Salenoid
8	RP110171	Flange
9	RP110172	Washer
10	RP110173	Installation Gasket
11	RP110174	Nut
12	RP110175	Screw
13	RP110176	Flexible Hose </td
14	RP110177	Screw
15	RP110178	Hot-Cold index
16	RP110179	Ball
17	RP110180	Quick Connector
18	RP110181	Pull-out hose
19	RP110182	Spout
20	RP110183	Connector
21	RP110184	O-Ring
22	RP110185	C-Ring
23	RP110186	T-Ring
24	RP110187	Bushing
25	RP110188	Cap
26	RP110189	Gasket
27	RP110190	Bass
28	RP110191	Spray
29	RP110192	Cover



For parts or sale requirements please contact our customer service department:

 CS@daxib.com

 1 888 685 8236

