



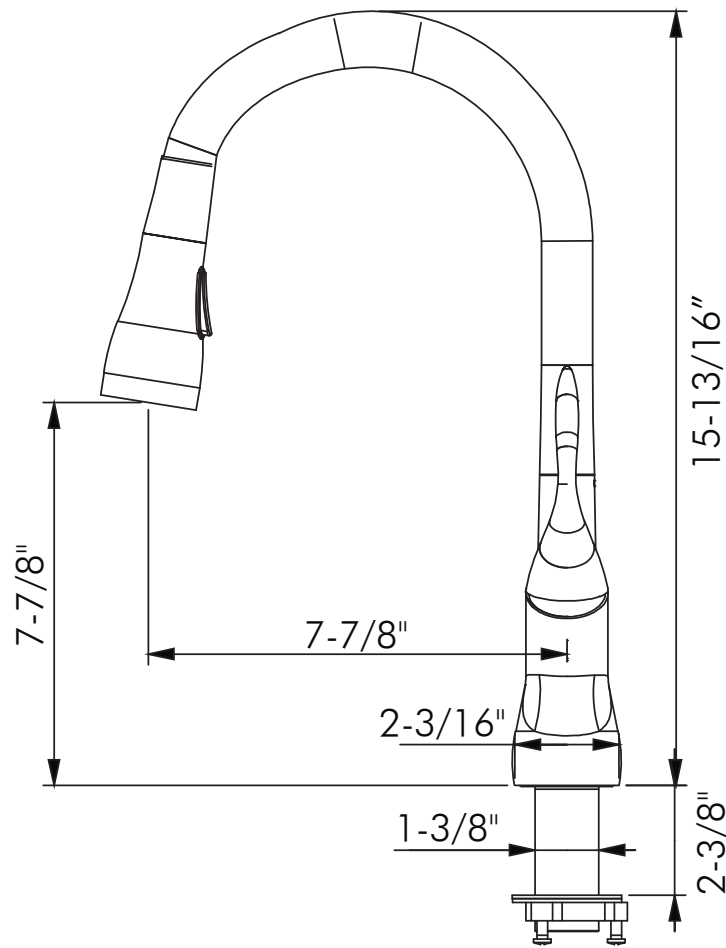
DAX-6995C-BN



KITCHEN FAUCETS **SERIES**



www.daxib.com



FEATURES

- Pull down shower head
- Brushed nickel finish
- Brass body casting
- Dual sprayer
- ABS shower head
- Ceramic cartridge
- Flow rate 1.5-2.2 GPM
- Height 15-13/16"
- Installation hole 1-3/8"
- Water lines and mounting parts included





KITCHEN FAUCET **DAX-6995C-BN**

MODEL	DAX-6995C-BN
UPC APPROVED	YES
ANSI APPROVED	YES
ASME APPROVED	YES
WATERSENSE CERTIFIED	NO
NSF APPROVED	YES
CONNECTION SIZE	3/8" Female comp
FAUCET HOLE SIZE	1-3/8"
FAUCETS HOLE	1 hole
FAUCET TYPE	Kitchen faucet
FLOW RATE (GPM)	1.5 - 2.2 gpm at 60 psi
HANDLE STYLE	Lever
NUMBER OF HANDLES	1
HEIGHT	16"
HOSE LENGTH	20"
INSTALLATION TYPE	Deck mounted
MATERIAL	Brass and zinc
FINISH	Brushed nickel
PULL OUT SPRAY	YES
PRE-RINSE	YES
SPOUT HEIGHT	7-7/8"
SPOUT SWIVEL	360°
SPOUT TYPE	Swivel
CARTRIDGE TYPE	Ceramic Disc
MAX DECK THICKNESS	2-3/8"
INCLUDED COMPONENTS	Water lines and mounting parts





DIAGRAM NUMBER	DAX SKU	TITLE DESCRIPTION
1	300-KSJ	Hose
2	6515B-7	
3	6985D-6	
4	6985D-4	
5	6985D-3	
6	6985D-2	
7	O-24-2	
8	M4-5	Set Screw
9	JD-6941A-02	
10	M5-8N	Set Screw
11	A67	
12	F-M37-1-25	
13	N-M37-1-25	
14	DJ-35	
15	6995C-4	
16	O-52-3	O-Ring
17	6925-1	Gasket
18	6902A-12	Hose
19	M10-185	Hose
20	M10-205	Hose
21	M6-20S	
22	6995C-2	
23	6925-3	
24	6925-5	
25	O-11-8-1-9	O-Ring
26	6925A-5	
27	6925B-1	
28	6925-2	
29	6902A-13	Hose
30	6985D-5	

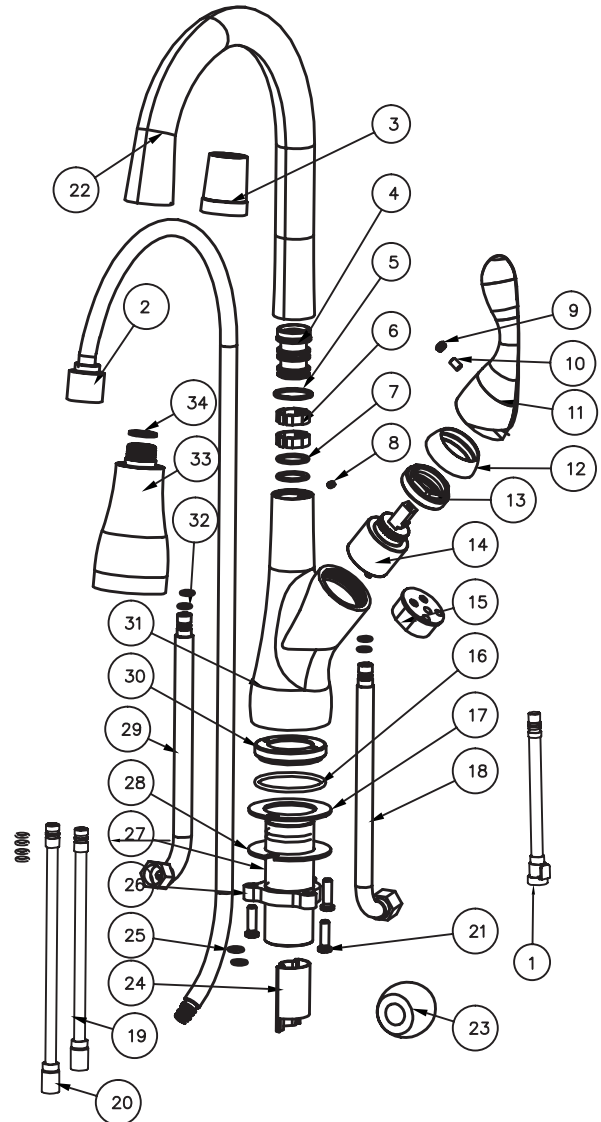




DIAGRAM NUMBER	DAX SKU	TITLE DESCRIPTION
31	6995C-1	
32	O-10-5-1-9	O-Ring
33	MJL2133	
34	D-20-16-2-W	Gasket

