

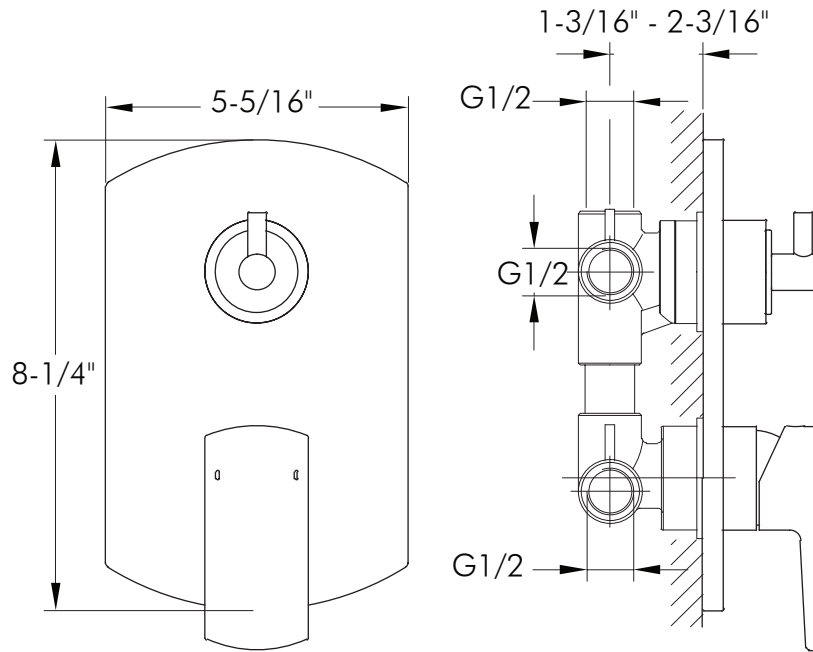


DAX-69903



SHOWER VALVES SERIES





## FEATURES

- Three functions
- Ceramic cartridge
- Brass body
- Chrome finish





**SHOWER VALVE DAX-69903**

MODEL	DAX-69903
UPC APPROVED	NO
ANSI APPROVED	NO
ASME APPROVED	NO
BODYSPRAYS INCLUDED	NO
NUMBER OF BODYSPRAYS	N/A
BODYSPRAYS CONNECTION SIZE	N/A
SHOWER HEAD FLOW RATE (GPM)	2.0 GPM
HANDLE MATERIAL	Brass
HANDLE STYLE	Single
HAND SHOWER INCLUDED	NO
HAND SHOWER HOSE INCLUDED	NO
HAND SHOWER HOSE LENGTH	N/A
INSTALLATION TYPE	Concealed
MATERIAL	Brass
PRESSURE BALANCE	NO
SCALD GUARD	NO
SHOWER ARM REACH	N/A
SHOWER ARM CONNECTION SIZE	N/A
SHOWER HEAD	N/A
SHOWER HEAD HEIGHT	N/A
SHOWER HEAD SHAPE	N/A
SHOWER HEAD WIDTH	N/A
SLIDE BAR INCLUDED	NO
SLIDE BAR DIMENSION	N/A
SPRAY PATTERN	N/A
THERMOSTATIC	NO
VALVE INCLUDED	YES
VALVE TYPE	2 inlets/3 outlets
WATERSENSE CERTIFIED	NO
FINISH	Chrome

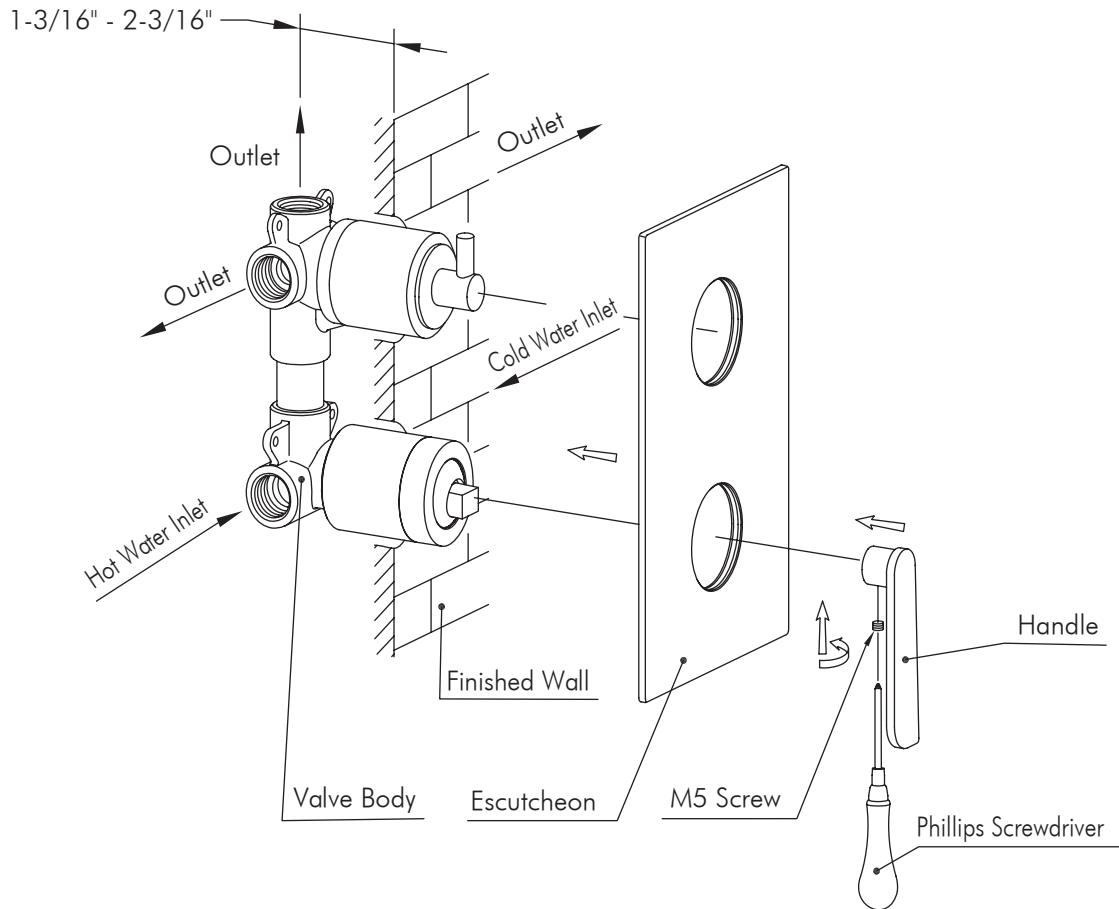
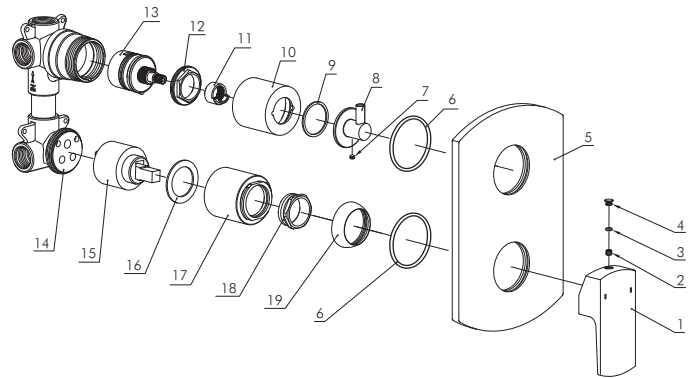




DIAGRAM NUMBER	DAX SKU	TITLE DESCRIPTION
1	FH D55-01A	Handle
2	FHTJ-30504	M5x4 internal hex flat end locking screw
3	MF 0615	Φ3 x 1.5" O-ring
4	FH D38A-02	Decoration cap
5	FH 9903-02B	Decoration cover
6	MF 5230	Φ46 x 3" O-ring
7	FH TJ-40404	M4x4 hexagon socket cone point set screw
8		Handle
9	FH 2218-02	Washer
10	FH 9903-03	Decorative body
11	FH TE-10	Limit snap ring
12	FH 8458-02	Locknut
13	FH TE03	Diverter valve
14	FH 9903-01	Body
15		Φ 40 cartridge
16	FH 8308-08	Washer
17	FH 8303-03G	Cartridge sleeve
18	FH 8308-09	Locknut
19	FH DB-06	Decorative ring



For parts or sale requirements please contact our customer service department:

 [CS@daxib.com](mailto:CS@daxib.com)

 1 888 685 8236