



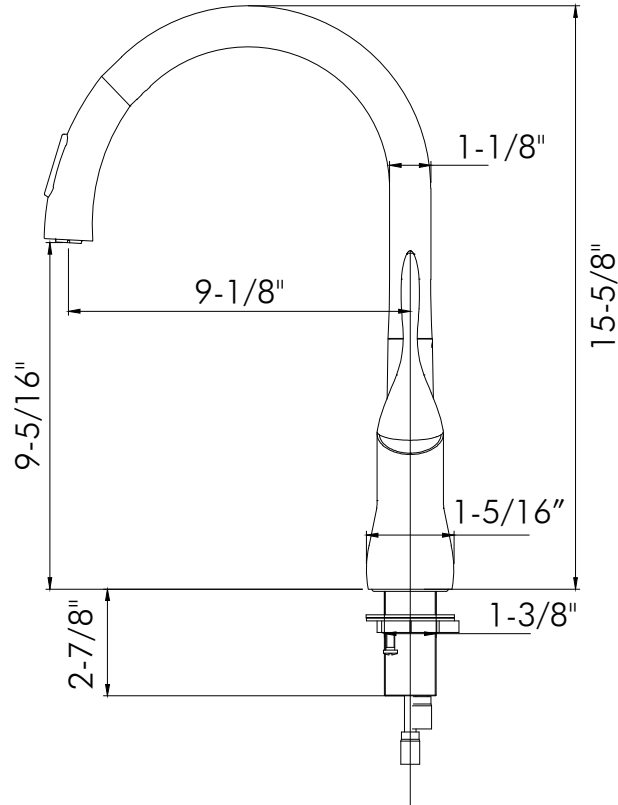
DAX-6985E-BN



KITCHEN FAUCETS **SERIES**



[www.daxib.com](http://www.daxib.com)



## FEATURES

- Pull down shower head
- Brushed nickel finish
- Brass body casting
- Dual sprayer
- ABS shower head
- Ceramic cartridge
- Flow rate 1.5-2.2 GPM
- Height 15-5/8"
- Installation hole 1-3/8"
- Water lines and mounting parts included





KITCHEN FAUCET **DAX-6985E-BN**

MODEL	DAX-6985E-BN
ADA	NO
UPC APPROVED	YES
ANSI APPROVED	YES
ASME APPROVED	YES
WATERSENSE CERTIFIED	NO
NSF APPROVED	YES
CONNECTION SIZE	3/8" Female comp
FAUCET HOLE SIZE	1-3/8"
FAUCETS HOLE	1 hole
FAUCET TYPE	Kitchen faucet
FLOW RATE (GPM)	1.5 - 2.2 gpm at 60 psi
HANDLE STYLE	Lever
NUMBER OF HANDLES	1
HEIGHT	15-5/8"
HOSE LENGTH	20"
INSTALLATION TYPE	Deck mounted
MATERIAL	Brass and zinc
FINISH	Brushed nickel
PULL OUT SPRAY	YES
PRE-RINSE	YES
SPOUT HEIGHT	9-5/16"
SPOUT REACH	9-1/8"
SPOUT SWIVEL	360°
SPOUT TYPE	Swivel
CARTRIDGE TYPE	Ceramic
MAX DECK THICKNESS	2-3/8"
INCLUDED COMPONENTS	Water lines and mounting parts





DIAGRAM NUMBER	DAX SKU	TITLE DESCRIPTION
1	O-52-3	O-Ring
2	6925-3	Hose Weight Kit
3	6925-5	Hose Adapter
4	1T40007NT	Set
5	2C0010CP	Spout
6	6925b-1	coop
7	6902A-12	Hose
8	6902A-13	Hose
9	6985E	Handshower
10	6995-CC	Hose Assembly
11	6985D-2	card wreath
12	6985D-3	O-Ring
13	6985D-4	Stud
14	6925-2	Film
15	6995A-1	Nut
16	6995C-1	Body
17	6995C-4	Bowels Core
18	300-KSJ	Hose
19	M10-185	Hose
20	A67	Handle
21	6925-1	Gasket
22	DJ-35	Ceramic Cartridge
23	F-M37-1-25	Cap W/Adjusting
24	JD-6941A-02	Button(Red/Blue)
25	M10-205	Hose
26	M4-5	Set Screw
27	M5-5N	Set Screw
28	N-M37-1-25	Bonnet
29	O-10-5-1-9	O-Ring
30	O-11-8-1-9	O-Ring
31	M6-20S	Set Screw
32	O-24-2	O-Ring
33	6925A-5	Nut

