



DAX-6975A-BN



KITCHEN FAUCETS SERIES

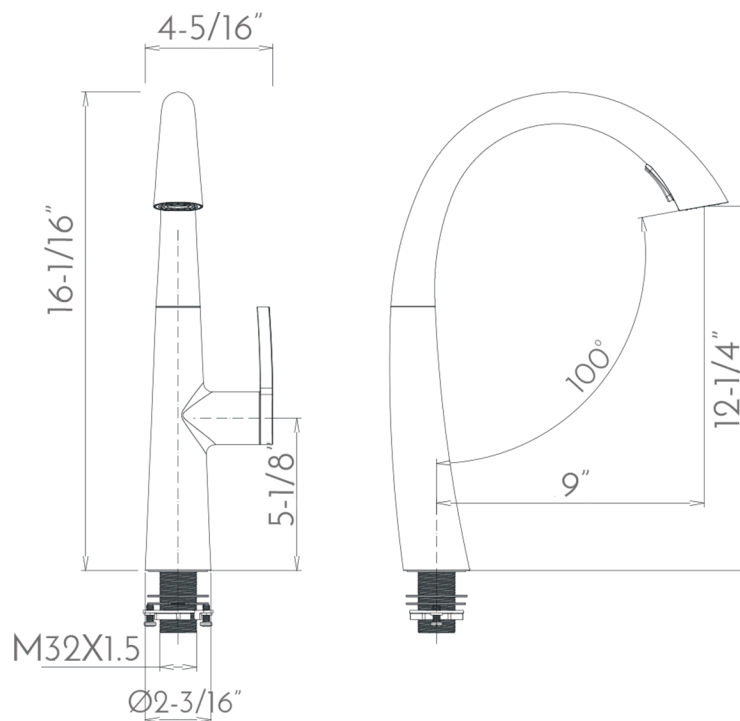


www.daxib.com



FEATURES

- Single Handle
- Brushed Nickel finish
- Flow Rate: 2.2 GPM at 60 psi
- Brass Material
- Ceramic Cartridge





KITCHEN FAUCET **DAX-6975A-BN**

MODEL	DAX-6975A-BN
MATERIAL	Brass
FINISH	Brushed Nickel
HEIGHT	16-1/16"
SPOUT HEIGHT	-
SPOUT REACH	11.77"
FLOW RATE	2.2 GPM
HOT COLD INDICATORS	No
DECK PLATE INCLUDED	No
COMPATIBLE VALVE TYPE	Ceramic Cartridge
HANDLE STYLE	Single Lever
NUMBER OF HANDLES	One
HOSE LENGHT	17"
FAUCET HOLES	One
FAUCET HOLE SIZE	1-1/4"
INSTALATION TYPE	Deck Mounted
SPOUT SWIVEL	fixed
MAX DECK THICKNESS	31.49"

For parts or sale requirements
please contact our customer service department:



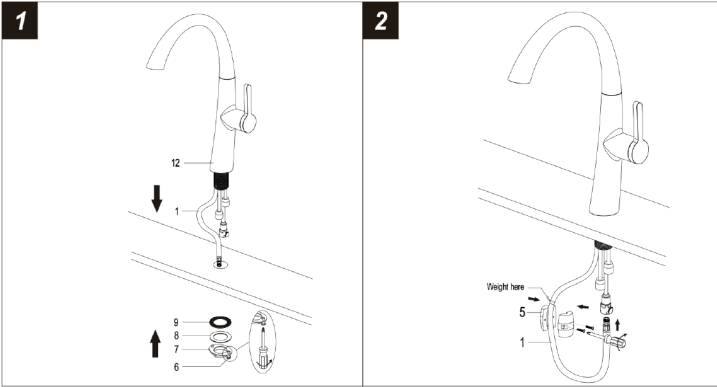
CS@daxib.com



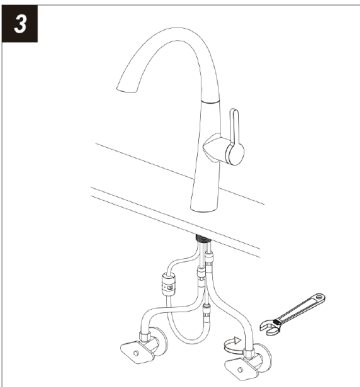
1 888 685 8236



Step 1 Faucet installation

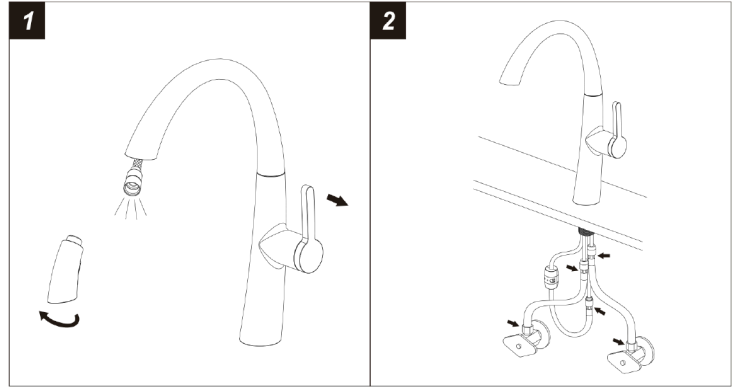


- 1.Position the faucet in order on the counter top as shown. **Don't forget the O-ring.** Assemble gasket assembly and lock nut to faucet threaded sleeve by hand and tighten the screws with screwdriver.
- 2.Connect the shower hose to effluent joint. **CAUTION: MAKE SURE THE HOSE IS PROPERLY ENGAGED.** Dis-assemble the weight and put it on the shower hose. Then fix screws by screw driver.



- 3.Connect the flexible hoses to water supply valve , and tighten it with adjustable wrench. **DON'T OVER TIGHTEN!**
Caution: make sure connect the hot and cold flexible hose to supply valves correctly.
- !** Warning: The supply valves are not included, please purchase them in plumbshop.

Step 2 Checking and testing



- 1.Remove the shower by hand. Turn the faucet handle all the way on, turn on hot and cold water supply and flush water lines for one minute. Reinstall shower by hand.
 - 2.Check all connections at arrows for leaks, re-tighten it if necessary.
- !** BUT DON'T OVERTIGHTEN

Step 3 Cleaning and care

Daily cleaning and care are required in order to keep the product shining and properly working.

- 1 Clean it with water and dry it with soft cloth.
- 2 Clean the product with gentle liquid or glass cleaner.
- 3 Don't use acid cleaner.
- 4 Don't clean with abrasive material, abrasive paper or knife.

Tips :

please DO NOT disassemble any part from product when open the box, otherwise it may cause functional problem when using.

If you receive the physical product and there are subtleties is not consistent with the picture, because we do upgrade improved products to make the products more beautiful and lasting longer.

For parts or sale requirements please contact our customer service department:

CS@daxib.com



1 888 685 8236