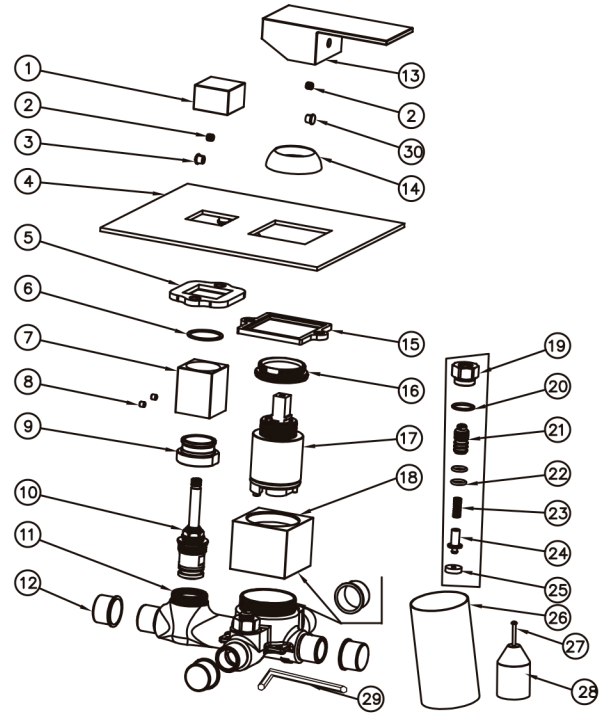




| DIAGRAM NUMBER | DAX SKU            | TITLE DESCRIPTION  |
|----------------|--------------------|--------------------|
| 1              | 40HD40109CP        | DIVERTER HANDLE    |
| 2              | 40LD90001NTM5      | SCREW              |
| 3              | 40UF70002NC        | CAP                |
| 4              | 40UR50107CP        | COVER              |
| 5              | 40DP80219NT        | WASHER             |
| 6              | 40DP70022NT        | WASHER             |
| 7              | 40MQ40038CP        | SLEEVE             |
| 8              | 40LD90006NT        | M4 SCREW           |
| 9              | 40JL41451NT        | NUT                |
| 10             | 40KH50018NT        | DIVERTER CARTRIDGE |
| 11             | 40BM10022NT        | VALVE              |
| 12             | 40MR70040NT        | PLASTICS PROTECTOR |
| 13             | 40HD6003CPSYFAM114 | HANDLE             |
| 14             | 40FB50001CP        | CAP                |
| 15             | 40DP80124NT        | WASHER             |



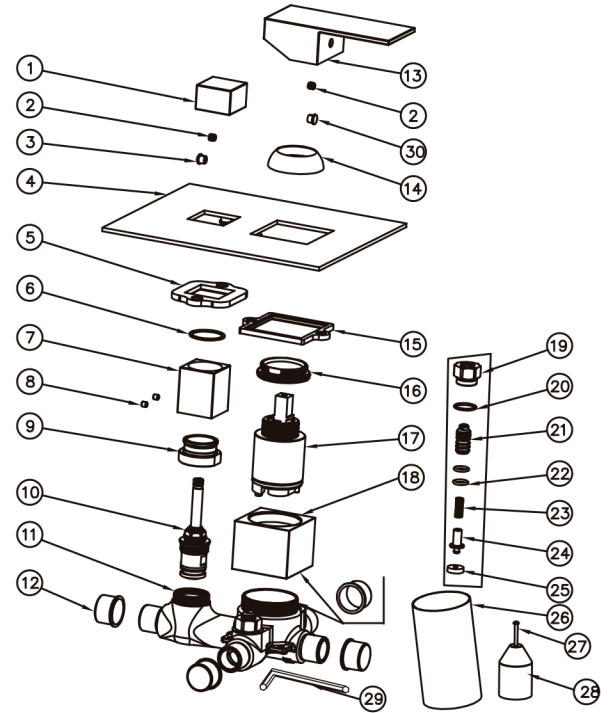
For parts or sale requirements please contact our customer service department:

 [CS@daxib.com](mailto:CS@daxib.com)

 1 888 685 8236



| DIAGRAM NUMBER | DAX SKU         | TITLE DESCRIPTION  |
|----------------|-----------------|--------------------|
| 16             | 40NY40163NT     | NUT                |
| 17             | 40KB70010NT     | CARTRIDGE          |
| 18             | 40MQ40034CP     | SLEEVE             |
| 19             | 40NG40152NT     | NUT                |
| 20             | 40RH80108NT-NSF | O-RING             |
| 21             | 40LT40014NT     | SCREW              |
| 22             | 40RH80121NT-NSF | O-RING             |
| 23             | 40PC90033NT     | SPRING             |
| 24             | 40PA40018NT     | SCREW              |
| 25             | 40DP80177NT     | WASHER             |
| 26             | 40MR70001NT     | PLASTICS PROTECTOR |
| 27             | 40LC90011NT     | M4 SCREW           |
| 28             | 40MR70198NT     | PLASTIC PROTECTOR  |
| 29             | 40PF90007NC     | 2,5 ALLEN KEY      |
| 30             | 40UF70002NC     | CHINO              |



For parts or sale requirements  
please contact our customer service department:

 [CS@daxib.com](mailto:CS@daxib.com)

 1 888 685 8236