

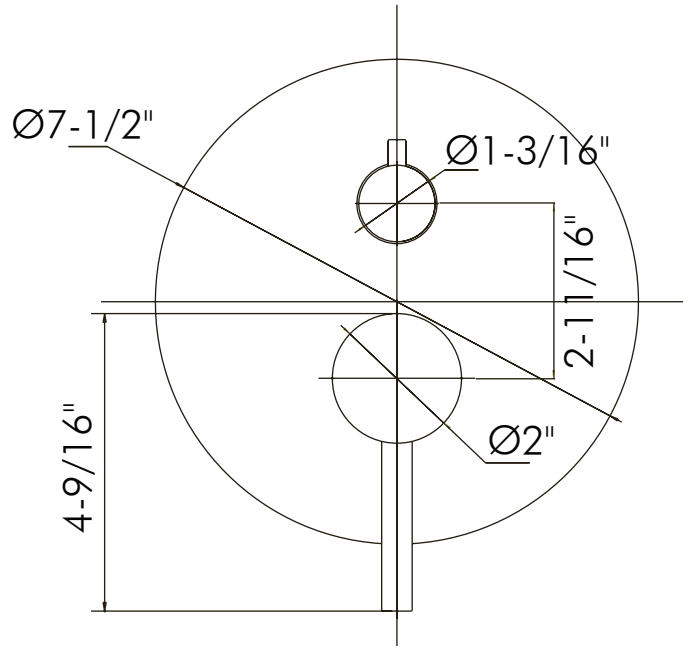


DAX-6973-BN



SHOWER VALVES SERIES





FEATURES

- Two functions
- Pressure balance
- Ceramic cartridge
- Brass body





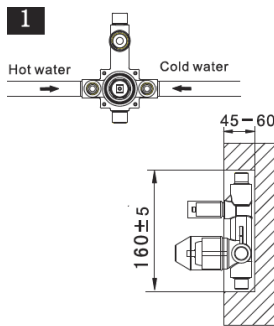
SHOWER VALVE DAX-6973-BN

MODEL	DAX-6973-BN
UPC APPROVED	No
ANSI APPROVED	No
ASME APPROVED	No
BODYSPRAYS INCLUDED	Do not apply
NUMBER OF BODYSPRAYS	Do not apply
BODYSPRAYS CONNECTION SIZE	Do not apply
HAND SHOWER FLOW RATE (GPM)	No
SHOWER HEAD FLOW RATE (GPM)	No
ROUGH-IN VALVE FLOW RATE (GPM)	2.37 Gpm
HANDLE MATERIAL	Brass
HANDLE STYLE	Round
HAND SHOWER INCLUDED	No
HAND SHOWER HOSE INCLUDED	No
HAND SHOWER HOSE LENGTH	No hose
INSTALLATION TYPE	Wall mount
MATERIAL	Brass
PRESSURE BALANCE	Yes
VALVE TYPE	Pressure balance
WATER EFFICIENT	No
WATERSENSE CERTIFIED	No
WALL ELBOW DIMENSION	No
FINISH	Brushed nickel

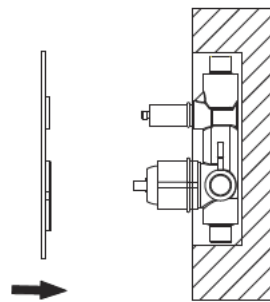




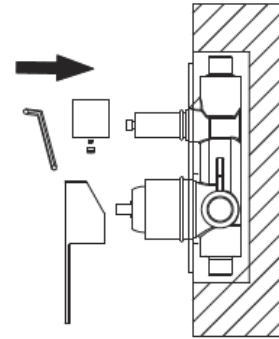
01



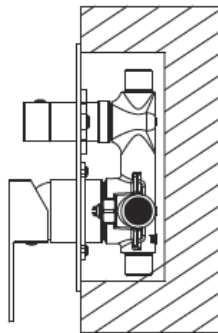
02



03



04



05

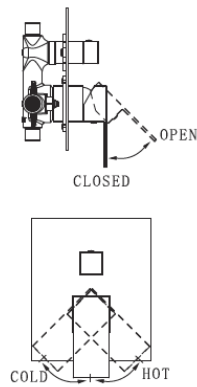
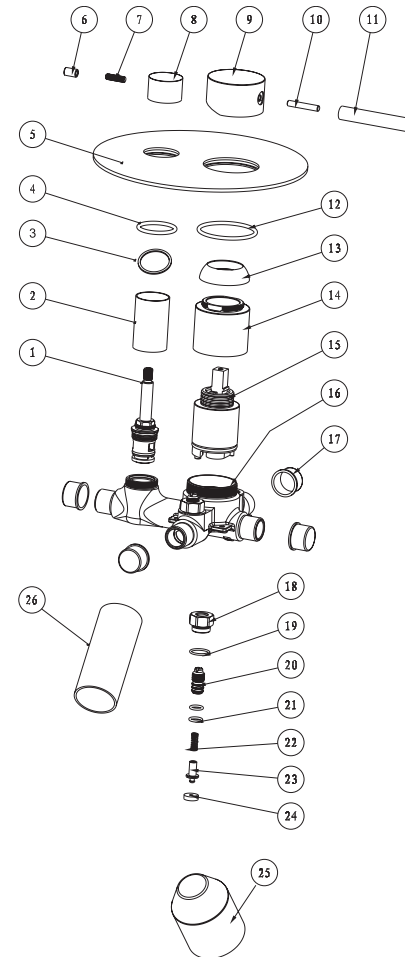




DIAGRAM NUMBER	DAX SKU	TITLE DESCRIPTION
1	40KH50011NT	DIVERTER CARTRIDGE
2	40MR40325CP	SLEEVE
3	40DP70022NT	WASHER
4	40RH80195NT-NSF	O-RING
5	40UR50117CP	COVER
6	40HB40241CP	HANDLE
7	40LD90067NT	SCREW
8	40HD40137CP	HANDLE BODY
9	40HD2002CPSYFAM114	HANDLE BODY
10	40LD90016NT	M5 SCREW L=30
11	40HB40147CP	HANDLE
12	40RH80389NT-NSF	O-RING
13	40FB50001CP	CAP
14	40MV40014CP	SLEEVE
15	40KB70010NT	CARTRIDGE
16	40BM10022NT	VALVE
17	40MR70040NT	PLASTIC PROTECTOR
18	40NG0152NT	NUT
19	40RH80108NT-NSF	O-RING
20	40LT40014NT	SCREW
21	40RH80121NT-NSF	O-RING
22	40PC90033NT	SPRING
23	40PA40018CC	SCREW
24	40DP80177NT	WASHER
25	40MR70009NT	PLASTIC PROTECTOR
26	40MR70113NT	PLASTIC PROTECTOR



For parts or sale requirements please contact our customer service department:

 CS@daxib.com

 1 888 685 8236