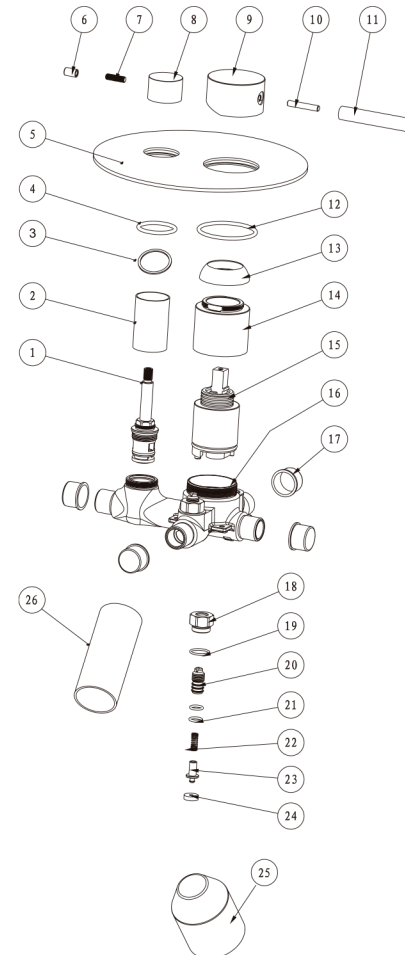




DIAGRAM NUMBER	DAX SKU	TITLE DESCRIPTION
1	40KH50011NT	DIVERTER CARTRIDGE
2	40MR40325CP	SLEEVE
3	40DP70022NT	WASHER
4	40RH80195NT-NSF	O-RING
5	40UR50117CP	COVER
6	40HB40241CP	HANDLE
7	40LD90067NT	SCREW
8	40HD40137CP	HANDLE BODY
9	40HD2002CPSYFAM114	HANDLE BODY
10	40LD90016NT	M5 SCREW L=30
11	40HB40147CP	HANDLE
12	40RH80389NT-NSF	O-RING
13	40FB50001CP	CAP
14	40MV40014CP	SLEEVE
15	40KB70010NT	CARTRIDGE
16	40BM10022NT	VALVE
17	40MR70040NT	PLASTIC PROTECTOR
18	40NG0152NT	NUT
19	40RH80108NT-NSF	O-RING
20	40LT40014NT	SCREW
21	40RH80121NT-NSF	O-RING
22	40PC90033NT	SPRING
23	40PA40018CC	SCREW
24	40DP80177NT	WASHER
25	40MR70009NT	PLASTIC PROTECTOR
26	40MR70113NT	PLASTIC PROTECTOR



For parts or sale requirements please contact our customer service department:

 CS@daxib.com

 1 888 685 8236