



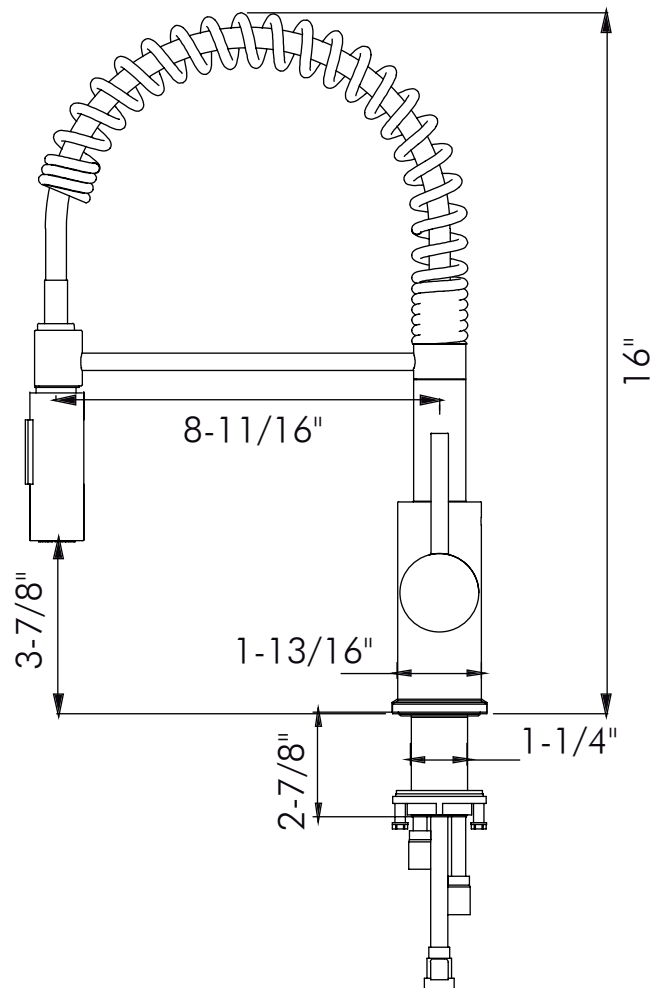
DAX-6965C-BN



KITCHEN FAUCETS **SERIES**



[www.daxib.com](http://www.daxib.com)



## FEATURES

- Pull down shower head
- Brushed nickel finish
- Brass body casting
- Dual sprayer
- ABS shower head
- Ceramic cartridge
- Flow rate 1.5-2.2 GPM
- Height 16"
- Installation hole 1-3/8"
- Water lines and mounting parts included





KITCHEN FAUCET **DAX-6965C-BN**

MODEL	DAX-6965C-BN
ADA	NO
UPC APPROVED	YES
ANSI APPROVED	YES
ASME APPROVED	YES
WATERSENSE CERTIFIED	NO
NSF APPROVED	YES
CONNECTION SIZE	3/8" Female comp
FAUCET HOLE SIZE	1-3/8"
FAUCETS HOLE	1 hole
FAUCET TYPE	Kitchen faucet
FLOW RATE (GPM)	1.5 - 2.2 gpm at 60 psi
HANDLE STYLE	Lever
NUMBER OF HANDLES	1
HEIGHT	16"
HOSE LENGTH	20"
INSTALLATION TYPE	Deck mounted
MATERIAL	Brass and zinc
FINISH	Brushed nickel
PULL OUT SPRAY	YES
PRE-RINSE	YES
SPOUT HEIGHT	3-7/8"
SPOUT REACH	8-11/16"
SPOUT SWIVEL	360°
SPOUT TYPE	Swivel
CARTRIDGE TYPE	Ceramic
MAX DECK THICKNESS	2-3/8"
INCLUDED COMPONENTS	Water lines and mounting parts





DIAGRAM NUMBER	DAX SKU	TITLE DESCRIPTION
1	6965C-06	Spring
2	6965C-05	Contact
3	O-27-24-1-5	Slip Ring
4	O-26-2D5	O-Ring
5	24-17D5-8	Card wreath
6	O-27-24-1-5	Slip Ring
7	6965C-04	Contact
8	6965C-03	coop
9	6995-cc	Hose Assembly
10	6965C-07	Set
11	6965C-02	Handshower
12	O-28-2D5	O-Ring
13	O-31-27-1-5	Slip Ring
14	28D5-24-8	card wreath
15	6965C-01	Body
16	6965C-08	Bowels Core
17	DJ-35	Ceramic Cartridge
18	N-M37-1-25	Bonnet
19	F-M37-1-25	Cap W/Adjusting
20	6965C-09	Handle
21	KJG-300	Hose
22	6965C-10	Film
23	O-47-2D5	O-Ring
24	6925B-1	coop
25	6925-1	Gasket
26	6995A-1	Nut
27	6925A-5	Nut
28	M6-20S	Set Screw
29	O-10-5-1-9	O-Ring
30	M10-185	Hose
31	6902A-12	Hose
32	M5-5N	Set Screw
33	JD-6941A-02	Button(Red/Blue)

