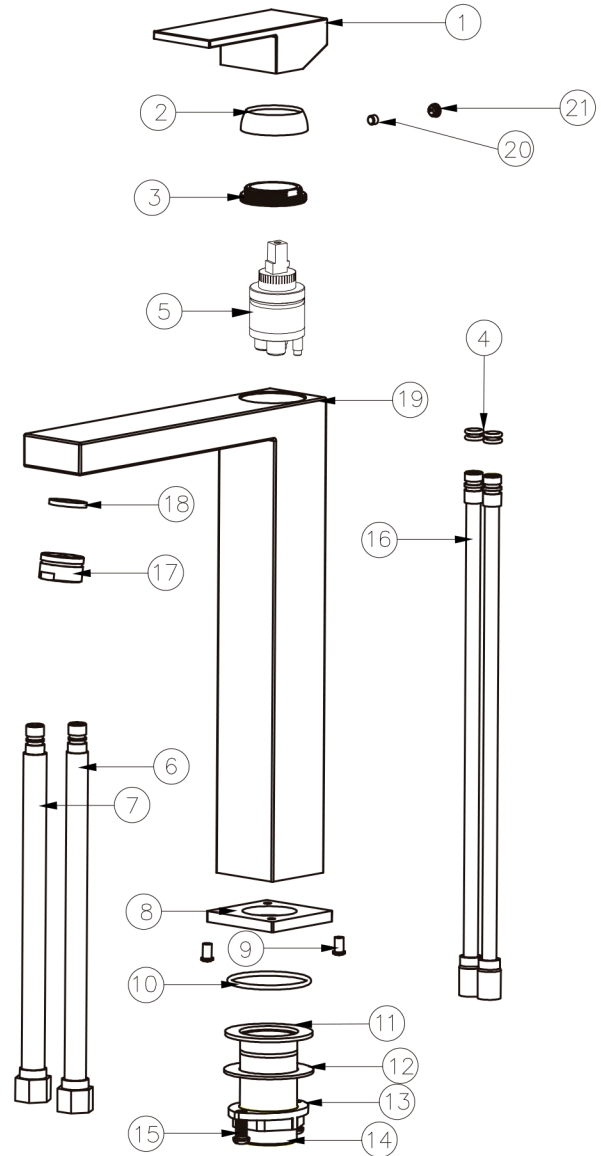




DIAGRAM NUMBER	DAX SKU	TITLE DESCRIPTION
1	30201-CR	Handle
2	30202-CR	Cap W/Adjusting
3	30203	Bonnet
4	30204	O-Ring
5	30205	Ceramic Cartridge
6	30206	Hose
7	30207	Hose
8	30208-CR	Ring
9	30209	Set Screw
10	30210	O-Ring
11	30211	Gasket
12	30212	Film
13	30213	Nut
14	30214	coop
15	30215	Set Screw
16	30216	coop
17	30217-CR	Aerator and Heart
18	30218	Gasket
19	30219-CR	Body
20	30220	Set Screw
21	30221	Button



For parts or sale requirements please contact our customer service department:

CS@daxib.com

1 888 685 8236

